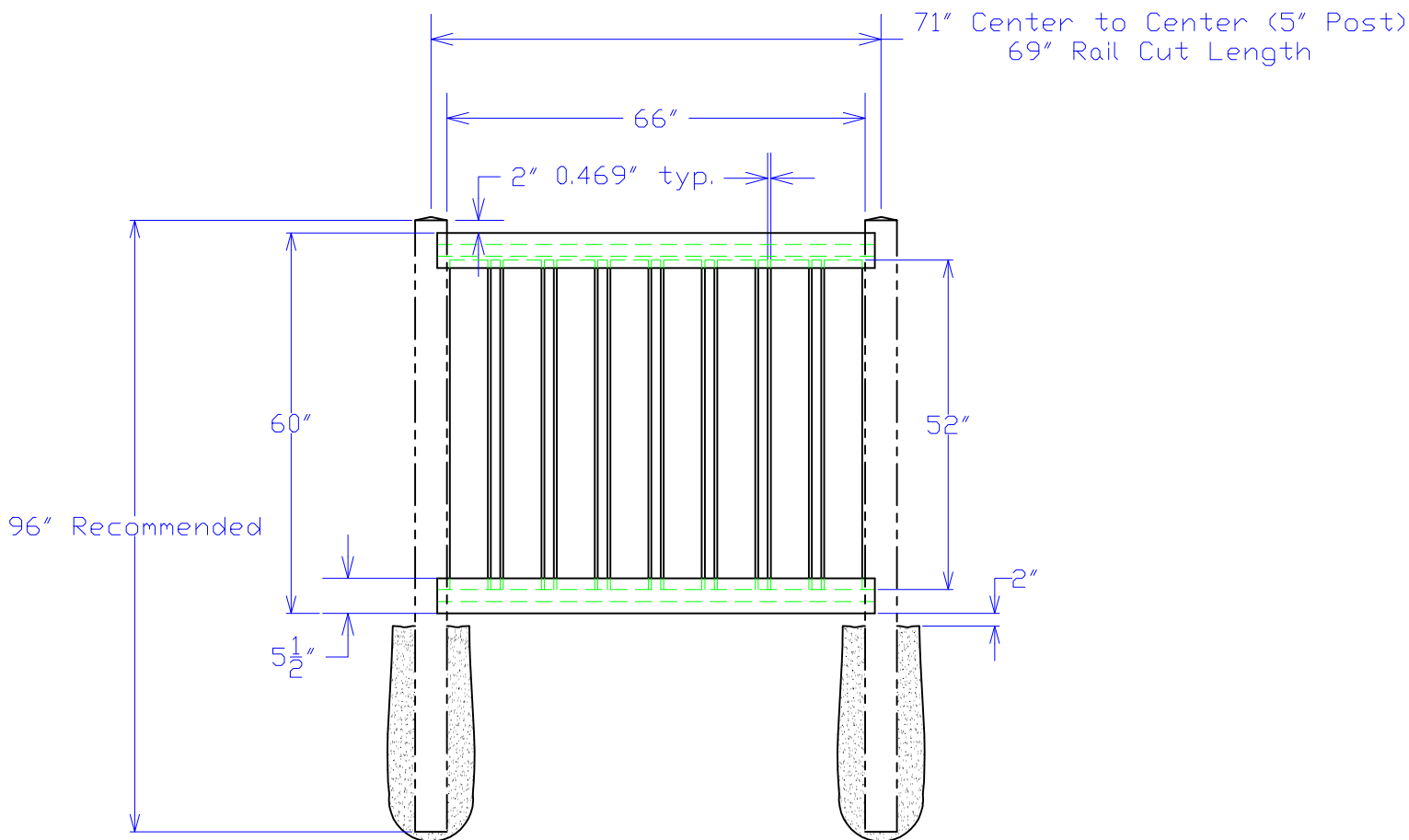


| Rev | Date | Description |
|-----|-------|-------------|
| A | DATE1 | |
| B | DATE2 | |
| C | DATE3 | |



| PART LIST | | |
|-----------|---------------------------------------|------------|
| QTY | ITEM DESCRIPTION | CUT LENGTH |
| 1 | 2" X 3 1/2" Routed Rail | 69" |
| 1 | 1 1/2" X 5 1/2" Routed Rail | 69" |
| 8 | 7/8" x 6" Plank | 64" |
| 7 | 7/8" x 1 1/2" Picket | 64" |
| 1 | 1 1/2" X 5 1/2" Routed Rail w/ Insert | 69" |

THE DESIGN OF THE PART(S) REPRESENTED BY THESE DRAWINGS IS PROPRIETARY TO CRANE FENCING SOLUTIONS AND CANNOT BE REPRODUCED, COPIED, OR DISCLOSED WITHOUT THE CONSENT OF CRANE FENCING SOLUTIONS

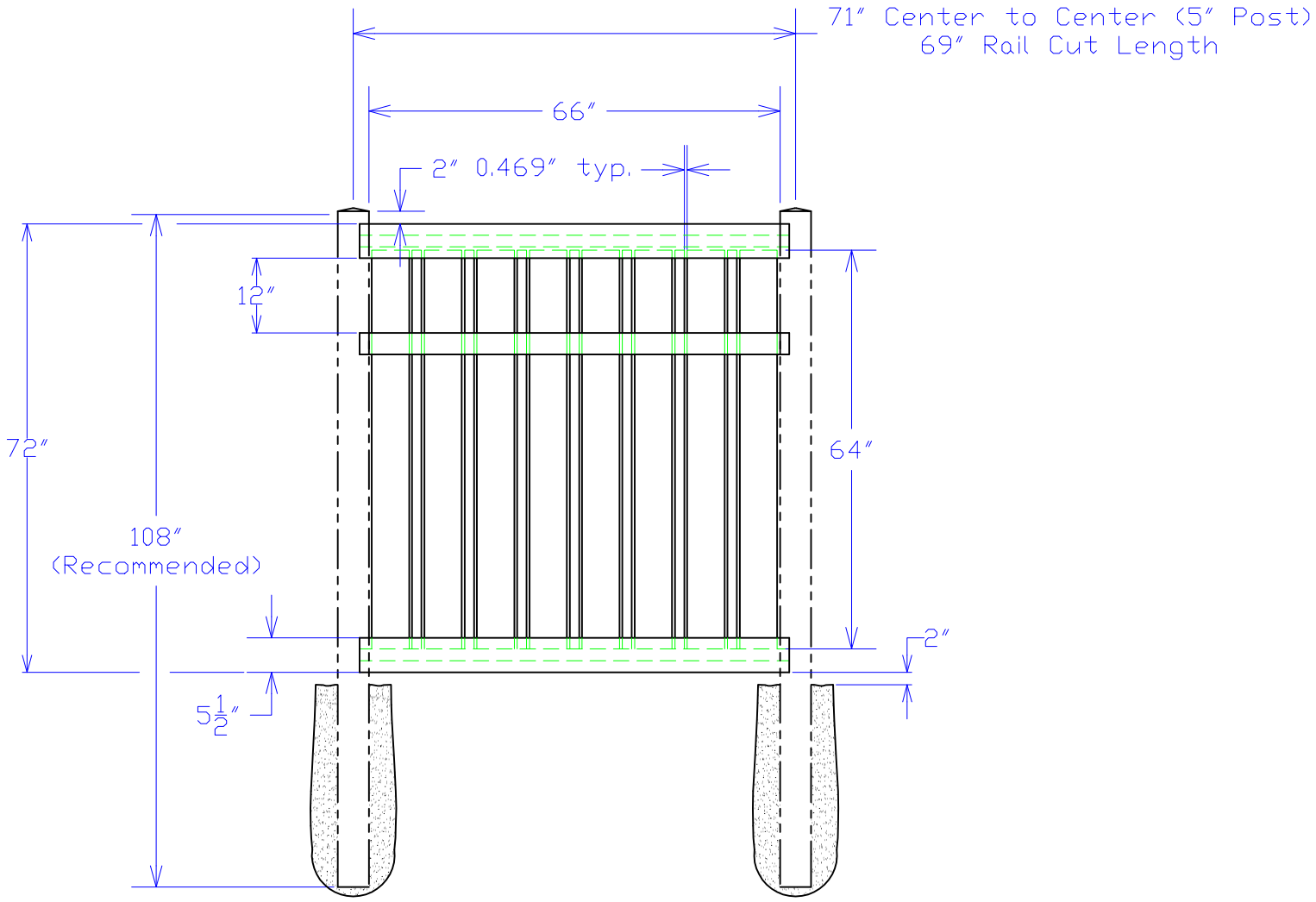


4074 Bethany Road
Mason, Ohio 45040
www.cranefencing.com

Semi Privacy Alternating Picket 6ft x 5ft
MIKE SCOTT
3/26/07

Scale:
None
Sheet:
1 of 1

| Rev | Date | Description |
|-----|-------|-------------|
| A | DATE1 | |
| B | DATE2 | |
| C | DATE3 | |



| PART LIST | | |
|-----------|---------------------------------------|------------|
| QTY | ITEM DESCRIPTION | CUT LENGTH |
| 1 | 2" X 3 1/2" Routed Rail | 69" |
| 1 | 1 1/2" X 5 1/2" Routed Rail | 69" |
| 8 | 7/8" x 6" Plank | 64" |
| 7 | 7/8" x 1 1/2" Picket | 64" |
| 1 | 1 1/2" X 5 1/2" Routed Rail w/ Insert | 69" |

THE DESIGN OF THE PART(S) REPRESENTED BY THESE DRAWINGS IS PROPRIETARY TO CRANE FENCING SOLUTIONS AND CANNOT BE REPRODUCED, COPIED, OR DISCLOSED WITHOUT THE CONSENT OF CRANE FENCING SOLUTIONS

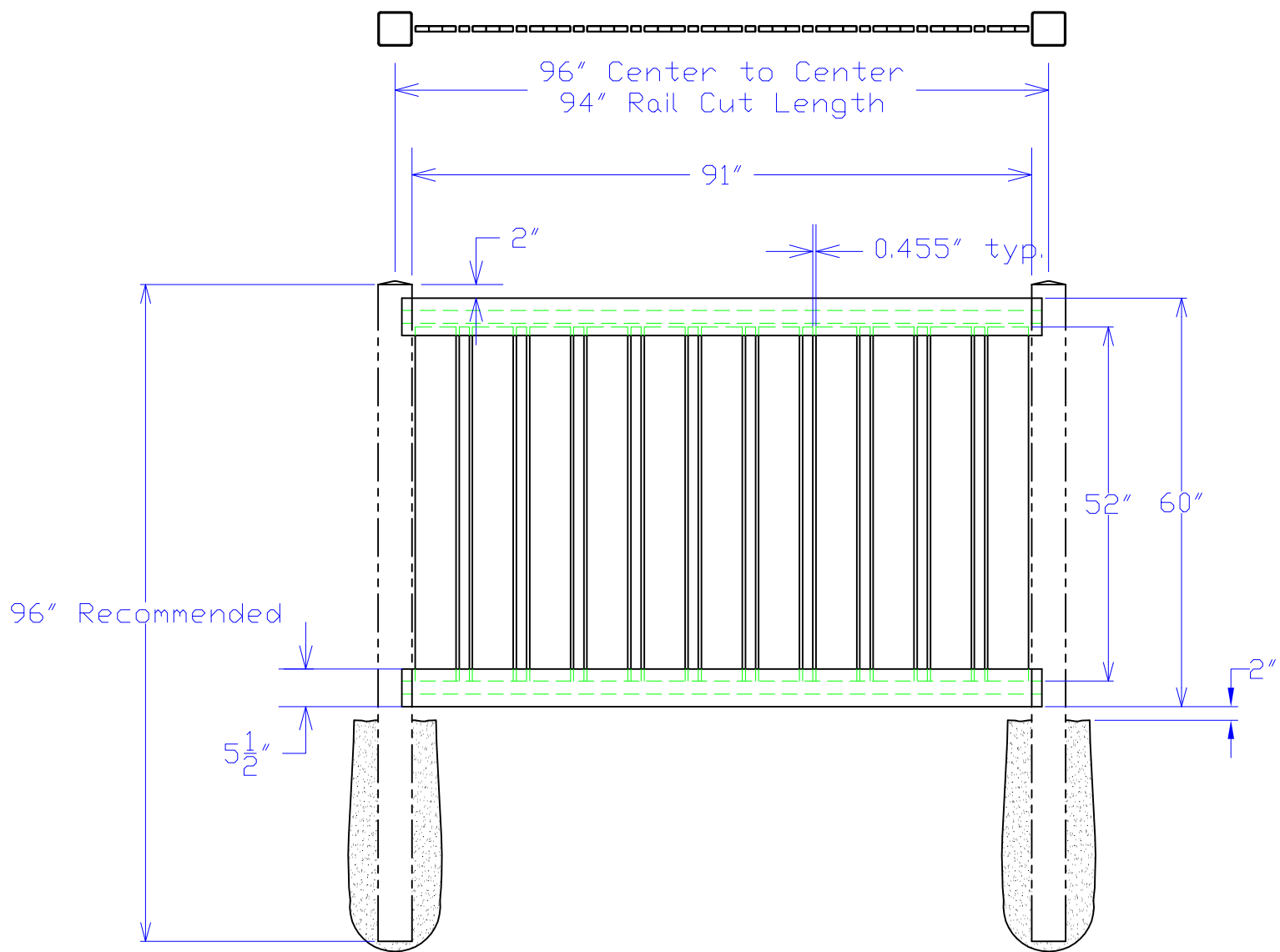


4074 Bethany Road
Mason, Ohio 45040
www.cranefencing.com

Semi Privacy Alternating Picket 6ft x 6ft
MIKE SCOTT
3/26/07

Scale:
None
Sheet:
1 of 1

| Rev | Date | Description |
|-----|-------|-------------|
| A | DATE1 | |
| B | DATE2 | |
| C | DATE3 | |



| PART LIST | | |
|-----------|---------------------------------------|------------|
| QTY | ITEM DESCRIPTION | CUT LENGTH |
| 1 | 1 1/2" X 5 1/2" Routed Rail | 94" |
| 11 | 7/8" x 6" Plank | 52" |
| 10 | 7/8" x 1 1/2" Picket | 52" |
| 1 | 1 1/2' X 5 1/2' Routed Rail w/ Insert | 94" |

THE DESIGN OF THE PART(S) REPRESENTED BY THESE DRAWINGS IS PROPRIETARY TO CRANE FENCING SOLUTIONS AND CANNOT BE REPRODUCED, COPIED, OR DISCLOSED WITHOUT THE CONSENT OF CRANE FENCING SOLUTIONS

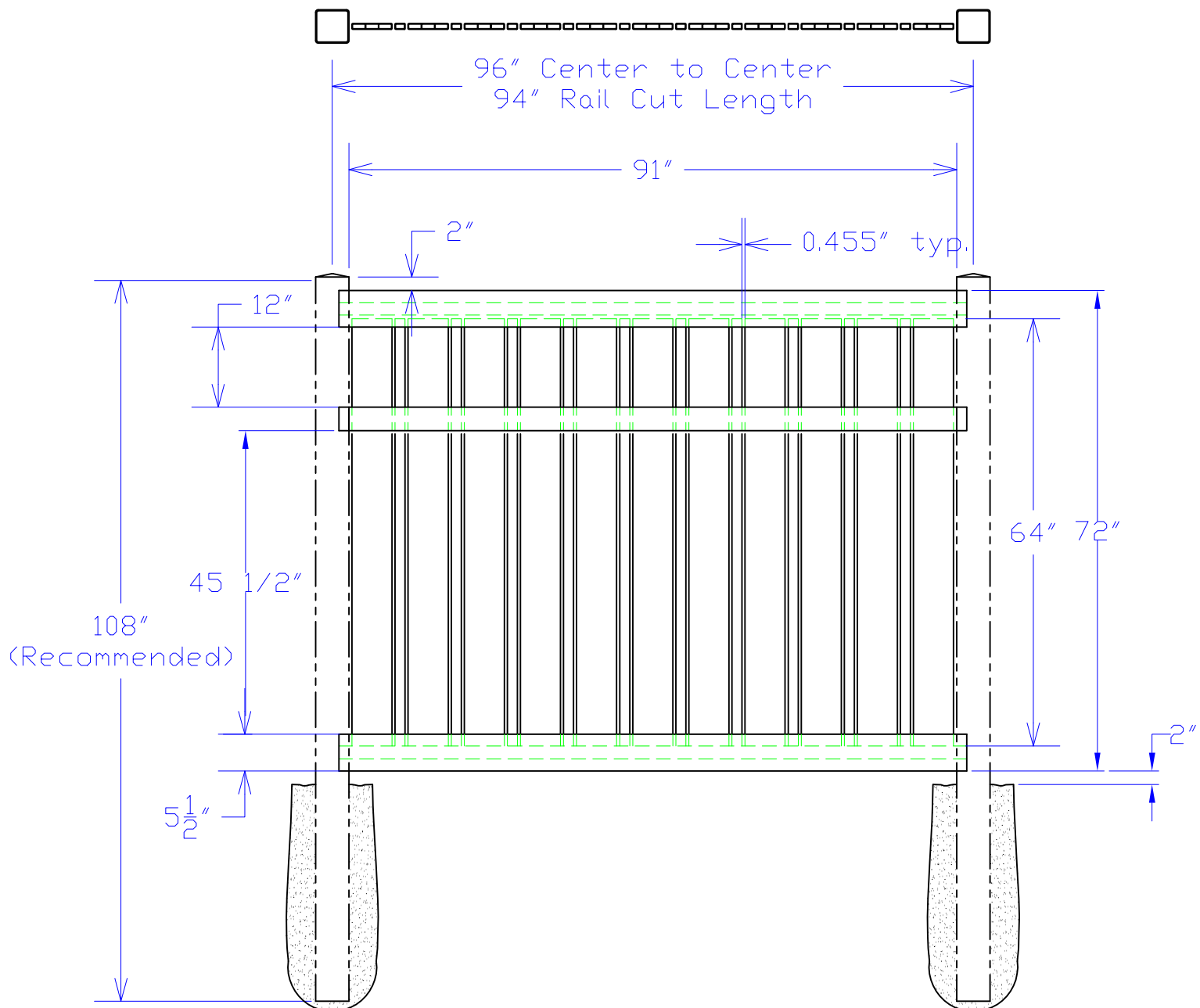


4074 Bethany Road
 Mason, Ohio 45040
www.cranefencing.com

Semi Privacy Alternating picket 8ft x 5ft
 MIKE SCOTT
 3/26/07

Scale:
 None
 Sheet:
 1 of 1

| Rev | Date | Description |
|-----|-------|-------------|
| A | DATE1 | |
| B | DATE2 | |
| C | DATE3 | |



| PART LIST | | |
|-----------|---------------------------------------|------------|
| QTY | ITEM DESCRIPTION | CUT LENGTH |
| 1 | 2" X 3 1/2" Routed Rail | 94" |
| 1 | 1 1/2" X 5 1/2" Routed Rail | 94" |
| 11 | 7/8" x 6" Plank | 64" |
| 10 | 7/8" x 1 1/2" Picket | 64" |
| 1 | 1 1/2" X 5 1/2" Routed Rail w/ Insert | 94" |

THE DESIGN OF THE PART(S) REPRESENTED BY THESE DRAWINGS IS PROPRIETARY TO CRANE FENCING SOLUTIONS AND CANNOT BE REPRODUCED, COPIED, OR DISCLOSED WITHOUT THE CONSENT OF CRANE FENCING SOLUTIONS



4074 Bethany Road
Mason, Ohio 45040
www.cranefencing.com

Semi Privacy Alternating Picket 8ft x 6ft
MIKE SCOTT
3/26/07

Scale:
None
Sheet:
1 of 1