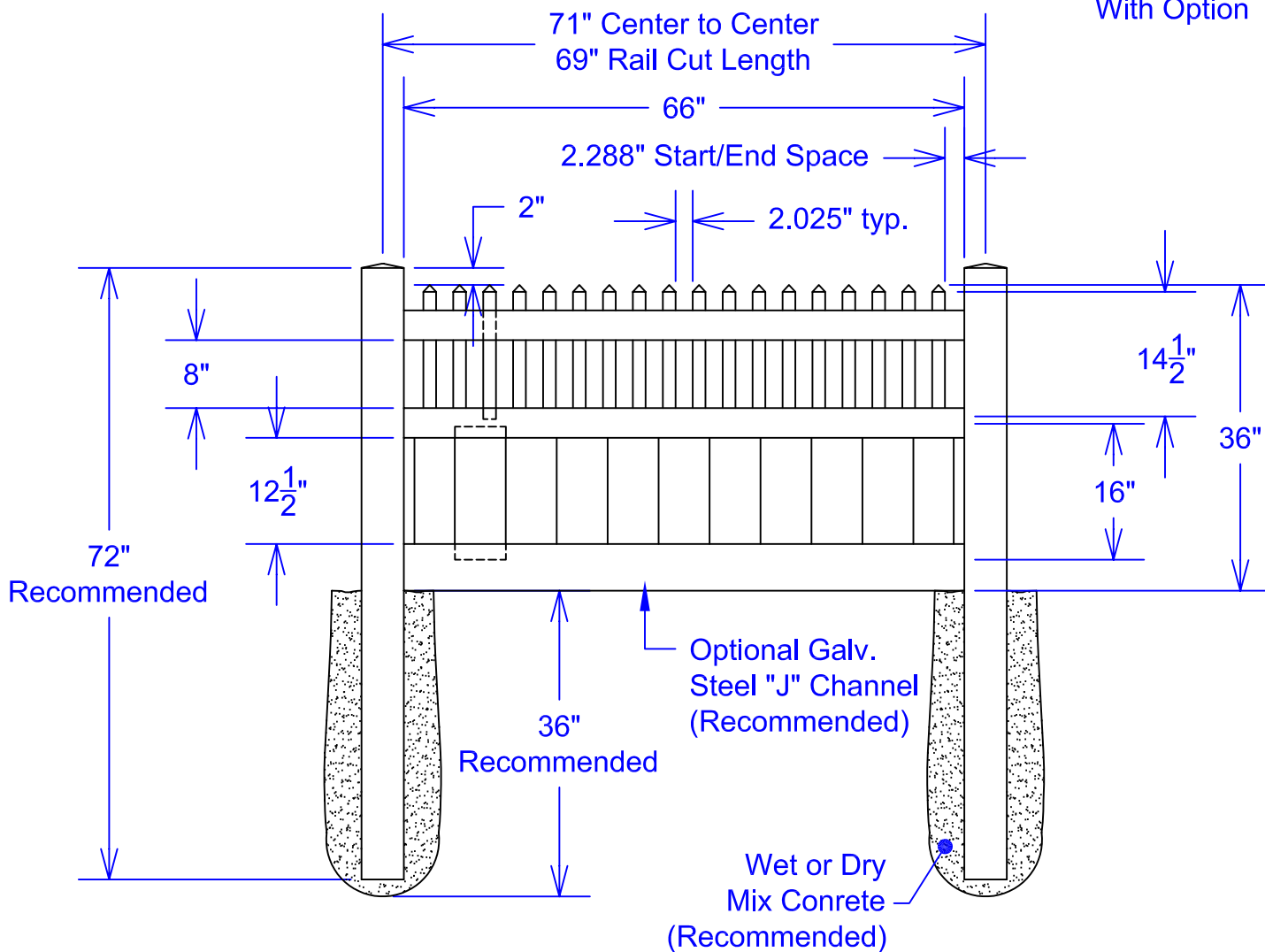


**Bottom Rail
End View
With Option**



Material per 6' section.

Qty	Item	Dimension
2	Rails	2" x 3-1/2" x 69"
1	Rail	1-1/2" x 5-1/2" x 69"
11	Planks	7/8" x 6" (T&G) x 16"
1	Spacer	7/8" x 1-1/2" x 69"

Qty	Item	Dimension
2	Side Channel	1-1/4" x 1-1/4" x 12-1/2"
18	Spindles	1-1/2" x 1-1/2" x 14-1/2"
18	Picket Caps	1-1/2" x 1-1/2"



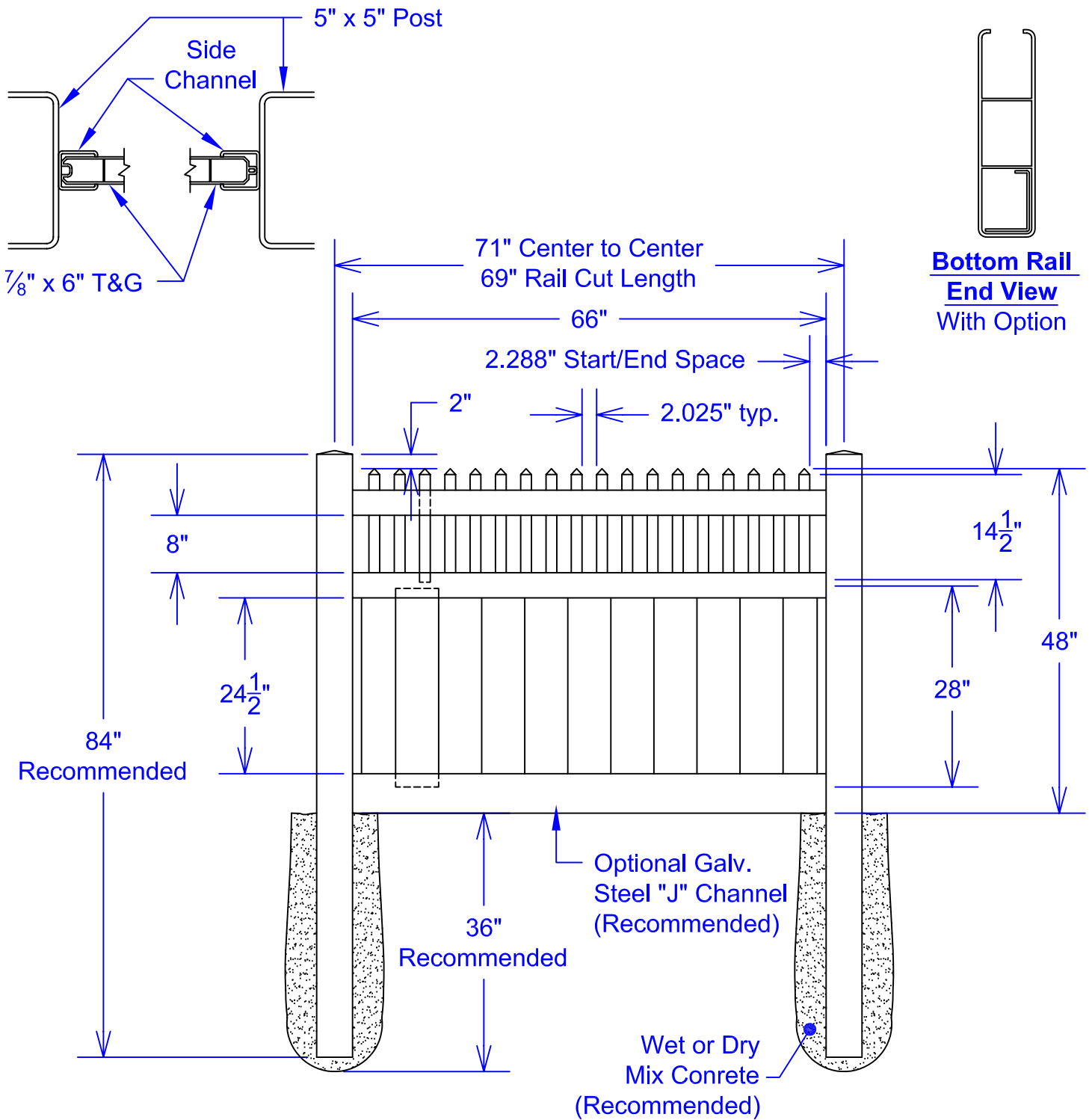
894 Prairie Avenue
Wilmington, Ohio 45177

Phone: (937) 383-2004 Fax: (937) 383-2022

Drawn By:
A.G. Bailey

T&G Privacy with
Open Spindle Top
3' x 6' Section

Scale:
NTS
Date:
10/19/01



Material per 6' section.

Qty	Item	Dimension	Qty	Item	Dimension
2	Rails	2" x 3-1/2" x 69"	2	Side Channel	1-1/4" x 1-1/4" x 12-1/2"
1	Rail	1-1/2" x 5-1/2" x 69"	18	Spindles	1-1/2" x 1-1/2" x 14-1/2"
11	Planks	7/8" x 6" (T&G) x 28"	18	Picket Caps	1-1/2" x 1-1/2"
1	Spacer	7/8" x 1-1/2" x 69"			



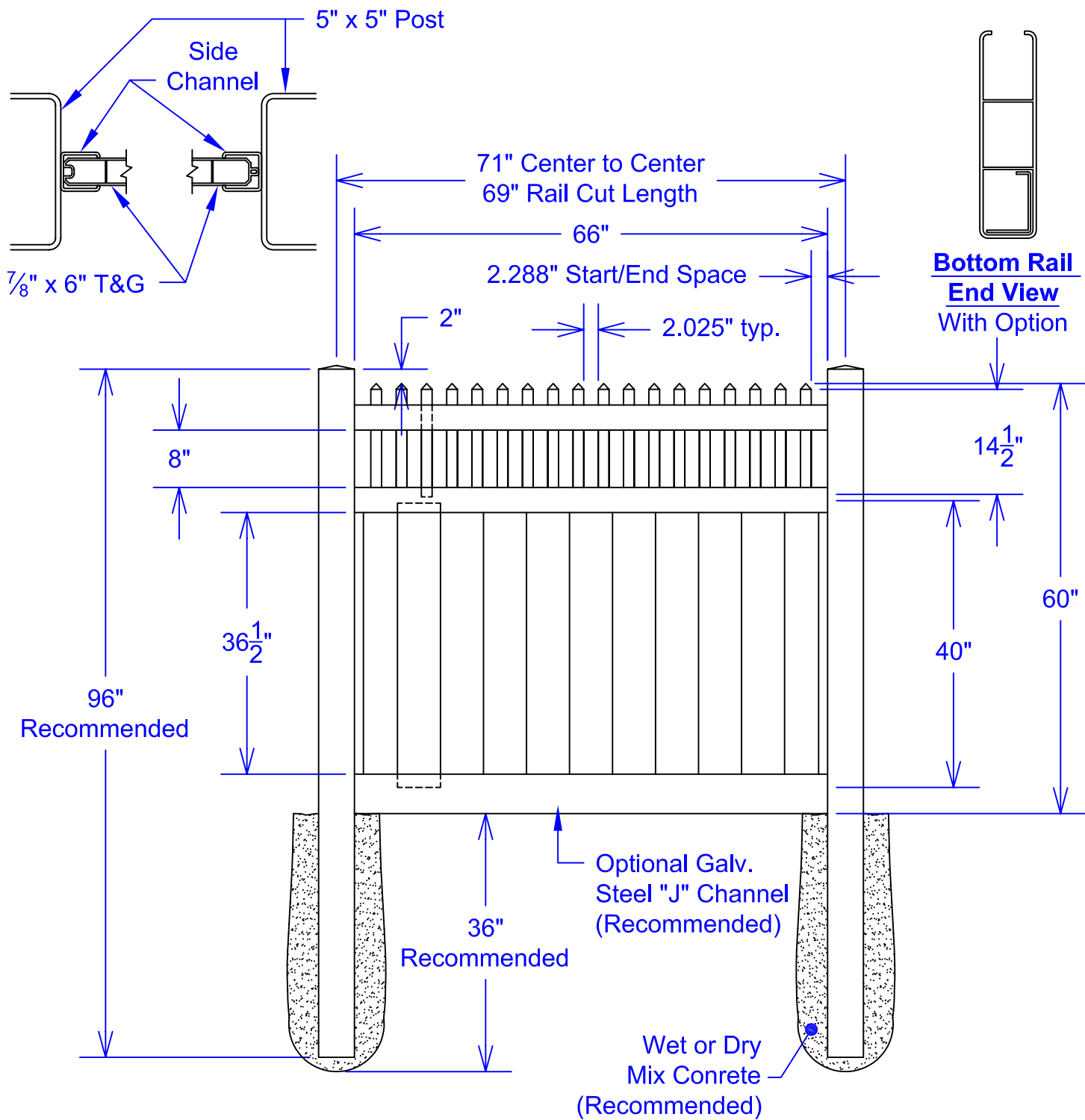
894 Prairie Avenue
Wilmington, Ohio 45177

Phone: (937) 383-2004 Fax: (937) 383-2022

Drawn By:
A.G. Bailey

T&G Privacy with
Open Spindle Top
4' x 6' Section

Scale:
NTS
Date:
10/19/01



Material per 6' section.

Qty	Item	Dimension
2	Rails	2" x 3-1/2" x 69"
1	Rail	1-1/2" x 5-1/2" x 69"
11	Planks	7/8" x 6" (T&G) x 40"
1	Spacer	7/8" x 1-1/2" x 69"

Qty	Item	Dimension
2	Side Channel	1-1/4" x 1-1/4" x 12-1/2"
18	Spindles	1-1/2" x 1-1/2" x 14-1/2"
18	Picket Caps	1-1/2" x 1-1/2"



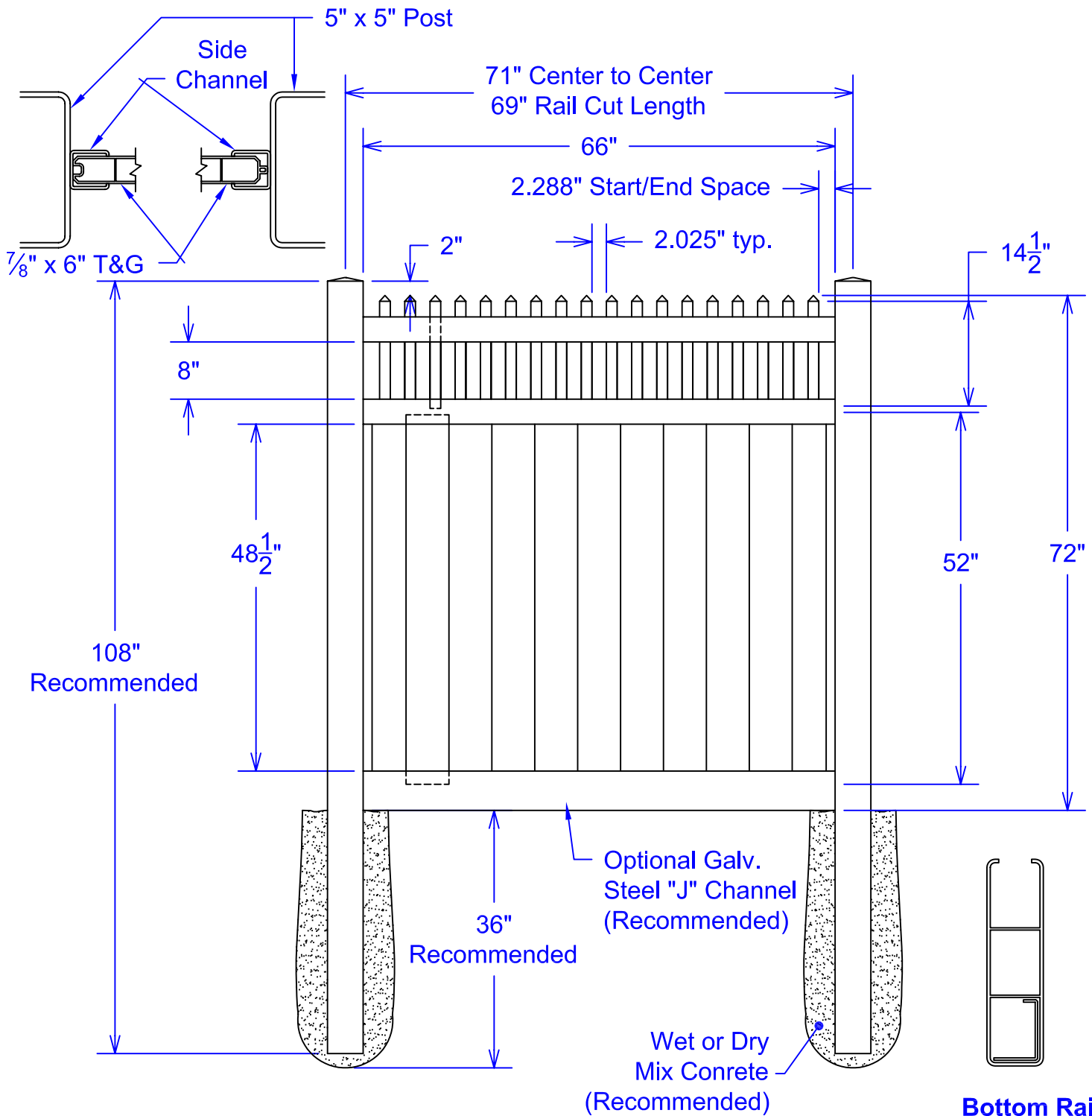
894 Prairie Avenue
Wilmington, Ohio 45177

Phone: (937) 383-2004 Fax: (937) 383-2022

Drawn By:
A.G. Bailey

T&G Privacy with
Open Spindle Top
5' x 6' Section

Scale:
NTS
Date:
10/12/01



**Bottom Rail
End View
With Option**

Material per 6' section.					
Qty	Item	Dimension	Qty	Item	Dimension
2	Rails	2" x 3-1/2" x 69"	2	Side Channel	1-1/4" x 1-1/4" x 12-1/2"
1	Rail	1-1/2" x 5-1/2" x 69"	18	Spindles	1-1/2" x 1-1/2" x 14-1/2"
11	Planks	7/8" x 6" (T&G) x 52"	18	Picket Caps	1-1/2" x 1-1/2"
1	Spacer	7/8" x 1-1/2" x 69"			

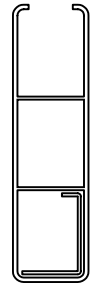
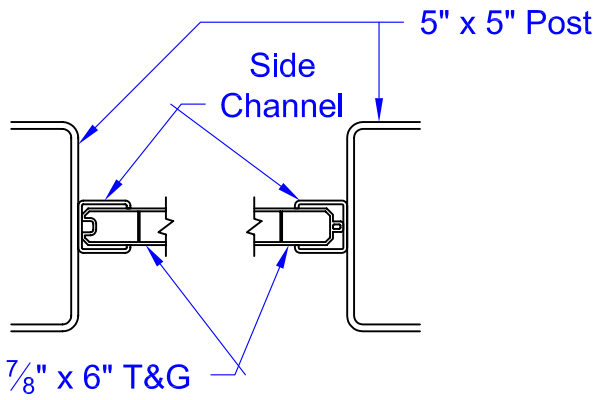


**894 Prairie Avenue
Wilmington, Ohio 45177**
 Phone: (937) 383-2004 Fax: (937) 383-2022

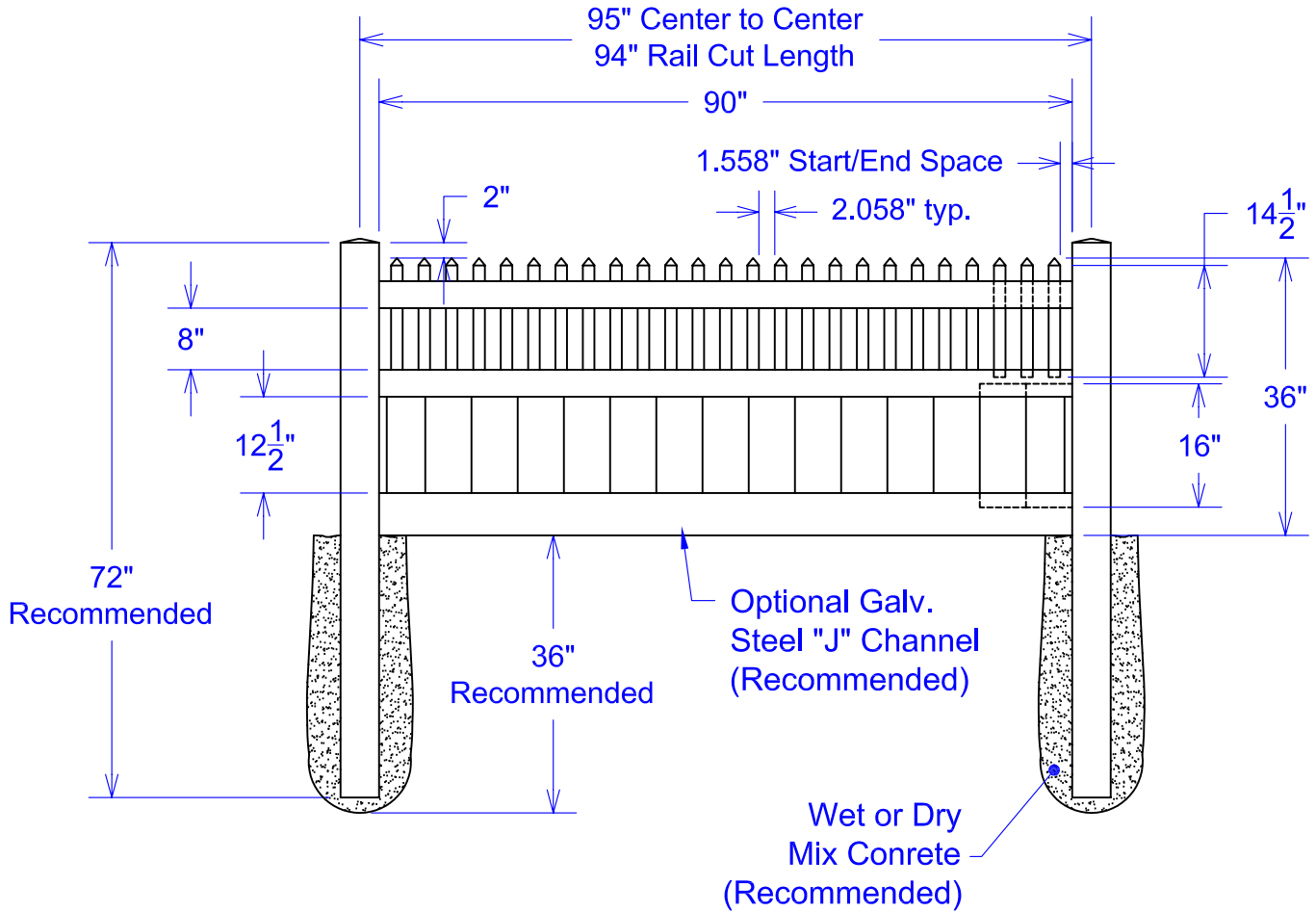
Drawn By:
A.G. Bailey

T&G Privacy with
Open Spindle Top
6' x 6' Section

Scale:
NTS
Date:
10/12/01



**Bottom Rail
End View
With Option**



Material per 8' section.

Qty	Item	Dimension
2	Rails	2" x 3-1/2" x 94"
1	Rail	1-1/2" x 5-1/2" x 94"
15	Planks	7/8" x 6" (T&G) x 16"
2	Side Channel	1-1/4" x 1-1/4" x 12-1/2"

Qty	Item	Dimension
25	Spindles	1-1/2" x 1-1/2" x 14-1/2"
25	Picket Caps	1-1/2" x 1-1/2"
1	Spacer	7/8" x 1-1/2" x 93"

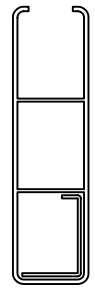
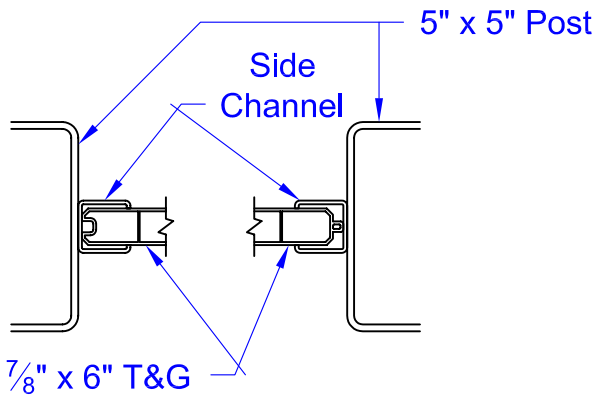


**894 Prairie Avenue
Wilmington, Ohio 45177**
 Phone: (937) 383-2004 Fax: (937) 383-2022

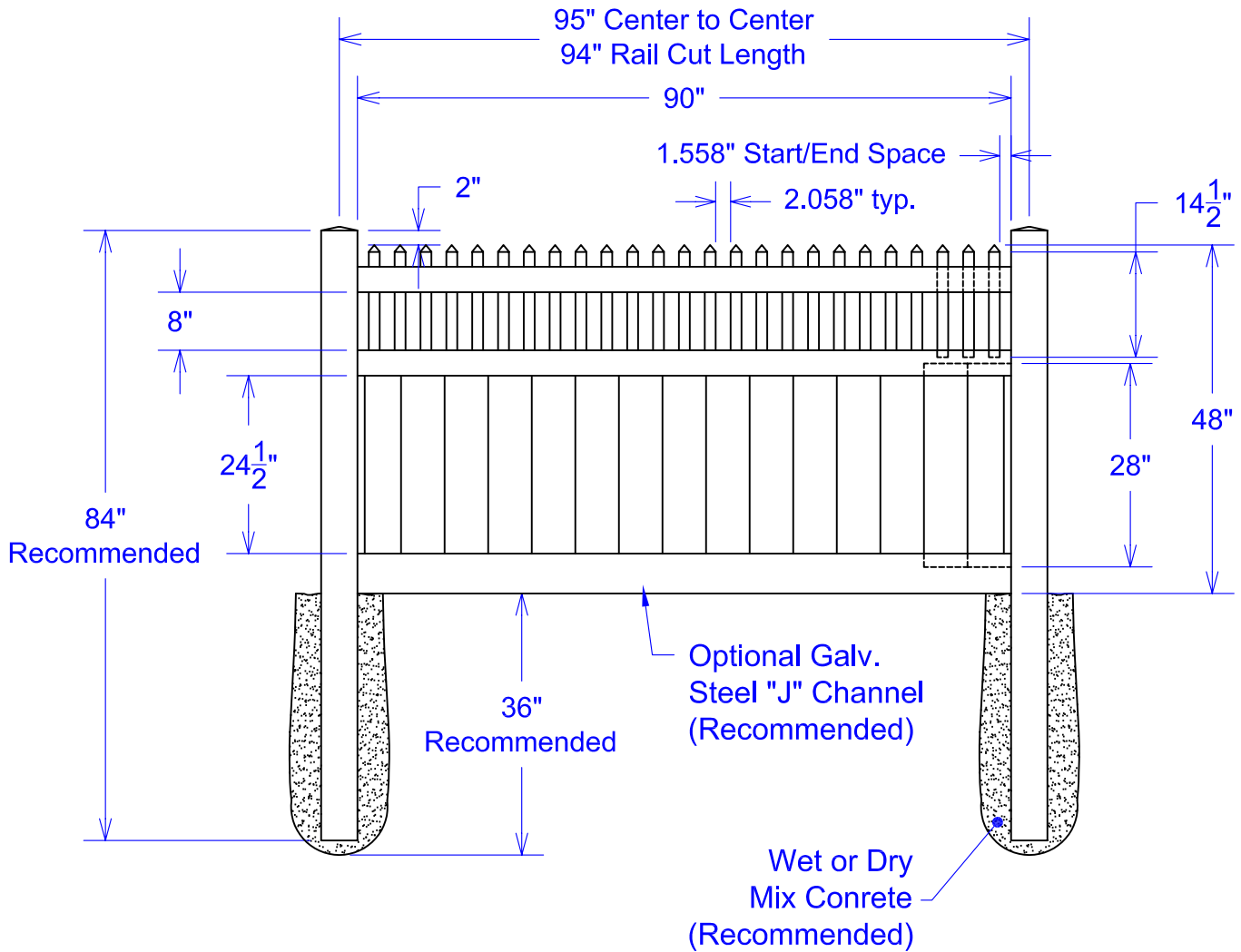
Drawn By:
A.G. Bailey

T&G Privacy with
Open Spindle Top
3' x 8' Section

Scale:
NTS
Date:
10/19/01



**Bottom Rail
End View
With Option**



Material per 8' section.

Qty	Item	Dimension
2	Rails	2" x 3-1/2" x 94"
1	Rail	1-1/2" x 5-1/2" x 94"
15	Planks	7/8" x 6" (T&G) x 28"
2	Side Channel	1-1/4" x 1-1/4" x 24-1/2"

Qty	Item	Dimension
25	Spindles	1-1/2" x 1-1/2" x 14-1/2"
25	Picket Caps	1-1/2" x 1-1/2"
1	Spacer	7/8" x 1-1/2" x 93"

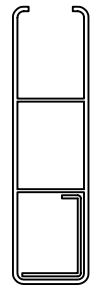
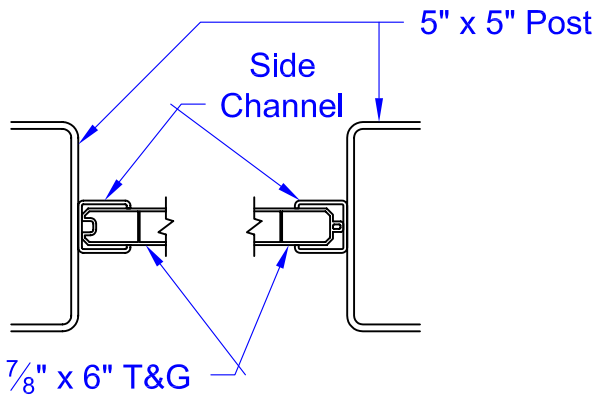


**894 Prairie Avenue
Wilmington, Ohio 45177**
Phone: (937) 383-2004 Fax: (937) 383-2022

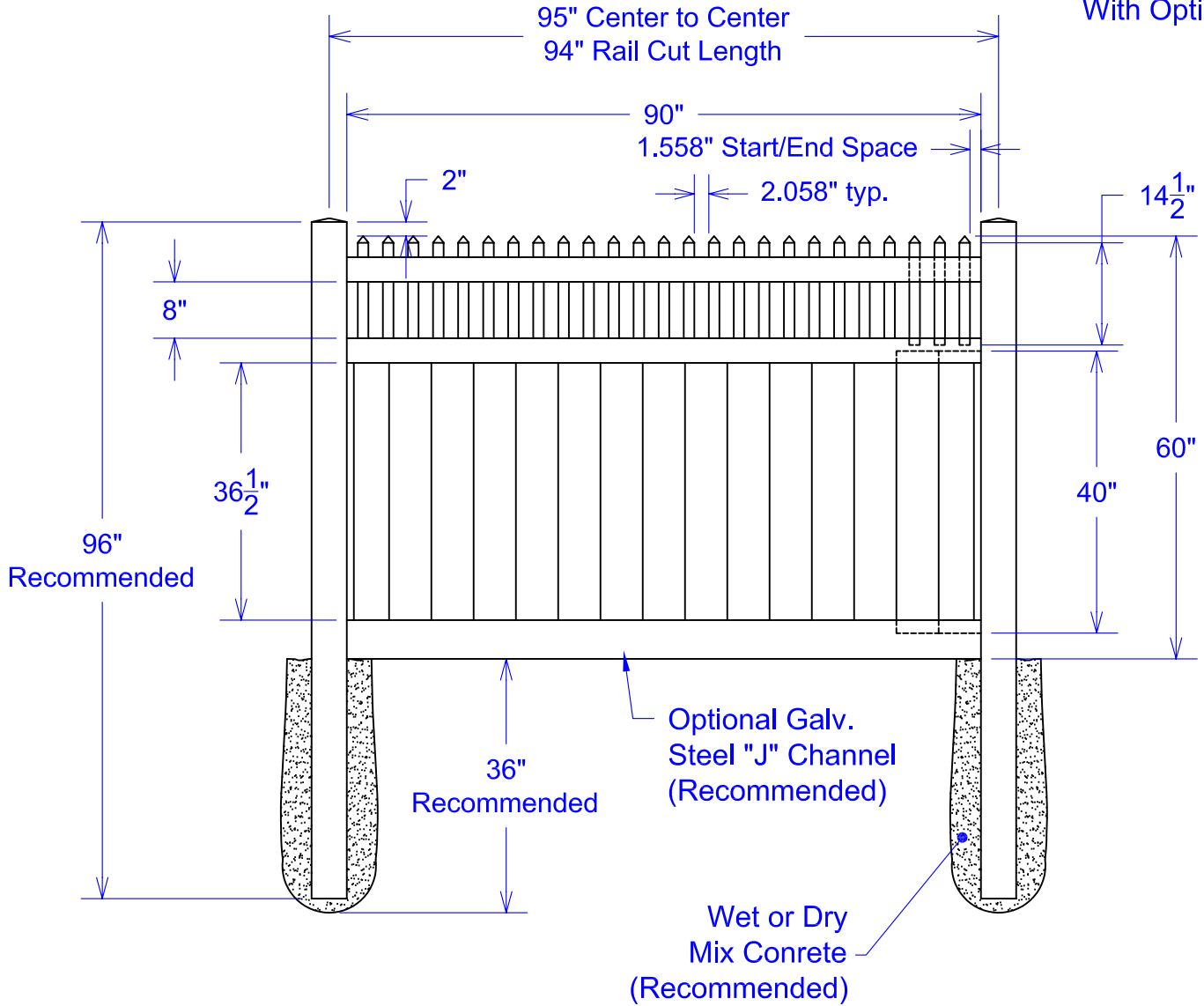
Drawn By:
A.G. Bailey

T&G Privacy with
Open Spindle Top
4' x 8' Section

Scale:
NTS
Date:
10/19/01



**Bottom Rail
End View
With Option**



Material per 8' section.

Qty	Item	Dimension
2	Rails	2" x 3-1/2" x 94"
1	Rail	1-1/2" x 5-1/2" x 94"
15	Planks	7/8" x 6" (T&G) x 40"
2	Side Channel	1-1/4" x 1-1/4" x 36-1/2"

Qty	Item	Dimension
25	Spindles	1-1/2" x 1-1/2" x 14-1/2"
25	Picket Caps	1-1/2" x 1-1/2"
1	Spacer	7/8" x 1-1/2" x 93"

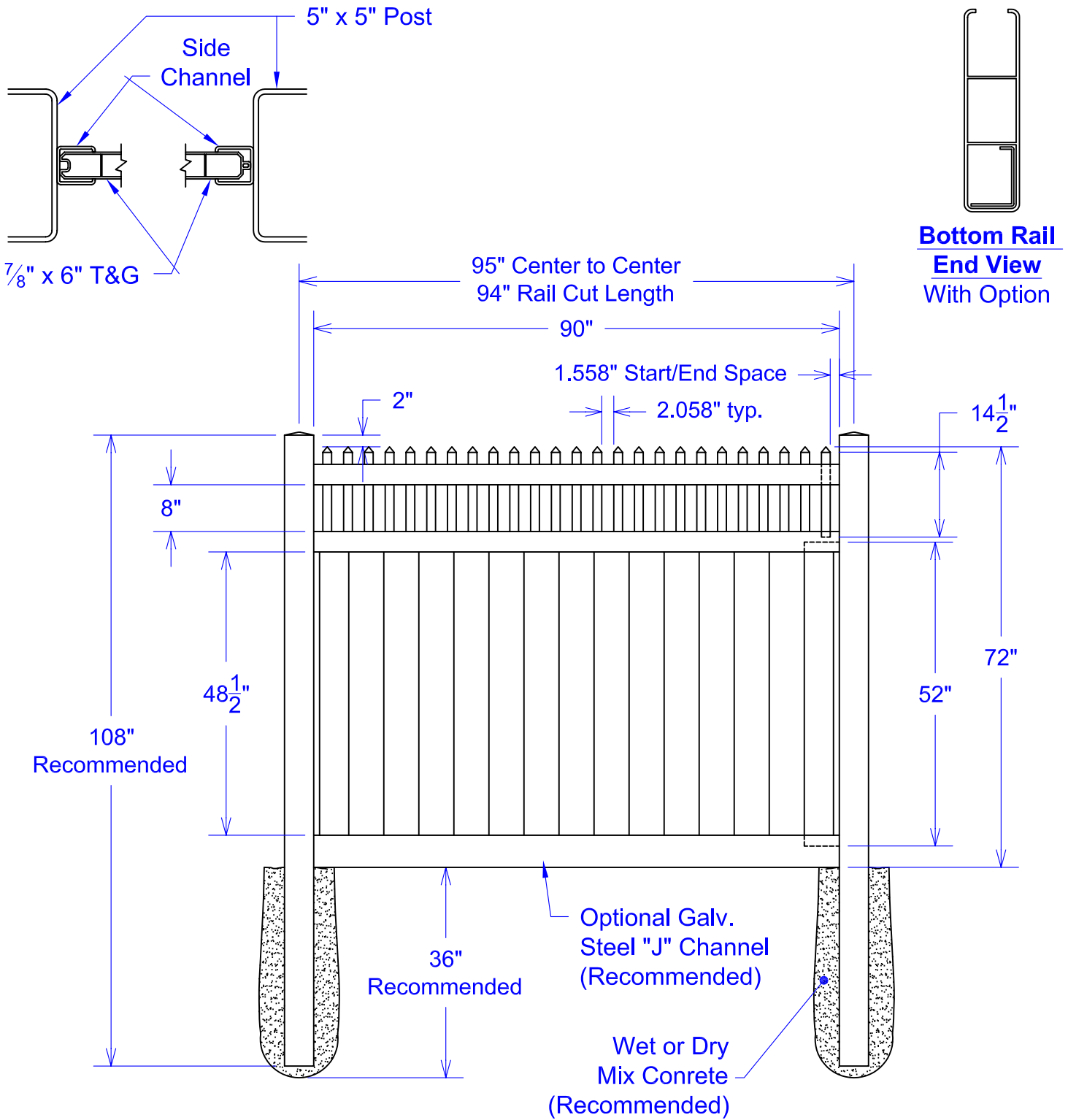


894 Prairie Avenue
Wilmington, Ohio 45177
 Phone: (937) 383-2004 Fax: (937) 383-2022

Drawn By:
A.G. Bailey

T&G Privacy with
Open Spindle Top
5' x 8' Section

Scale:
NTS
Date:
10/19/01



Material per 8' section.

Qty	Item	Dimension
2	Rails	2" x 3-1/2" x 94"
1	Rail	1-1/2" x 5-1/2" x 94"
15	Planks	7/8" x 6" (T&G) x 52"
2	Side Channel	1-1/4" x 1-1/4" x 48-1/2"

Qty	Item	Dimension
25	Spindles	1-1/2" x 1-1/2" x 14-1/2"
25	Picket Caps	1-1/2" x 1-1/2"
1	Spacer	7/8" x 1-1/2" x 93"



894 Prairie Avenue
 Wilmington, Ohio 45177
 Phone: (937) 383-2004 Fax: (937) 383-2022

Drawn By:
 A.G. Bailey

T&G Privacy with
 Open Spindle Top
 6' x 8' Section

Scale:
 NTS
 Date:
 10/19/01