

Glue Post Cap to Post
(Internal Cap Shown)

2" x 3½" Hole for
Rail in the Post
Locate as Shown

4" x 4" Post

2" x 6" Hole for
Rail in the Post
Locate as Shown

(1) 2" x 3½" Rail
Slide into Post 1½"

1½" x 1½" Picket
Slide into Rails
As Shown.

Route Upper and
Lower Rails As
Shown for Pickets.

(1) 2" x 6" Rail
Slide into Post 1½"

Galvanized "J" Channel

Maximum
Vinyl Fence and Railing Systems
A Division of Vinyl Visions, Ltd

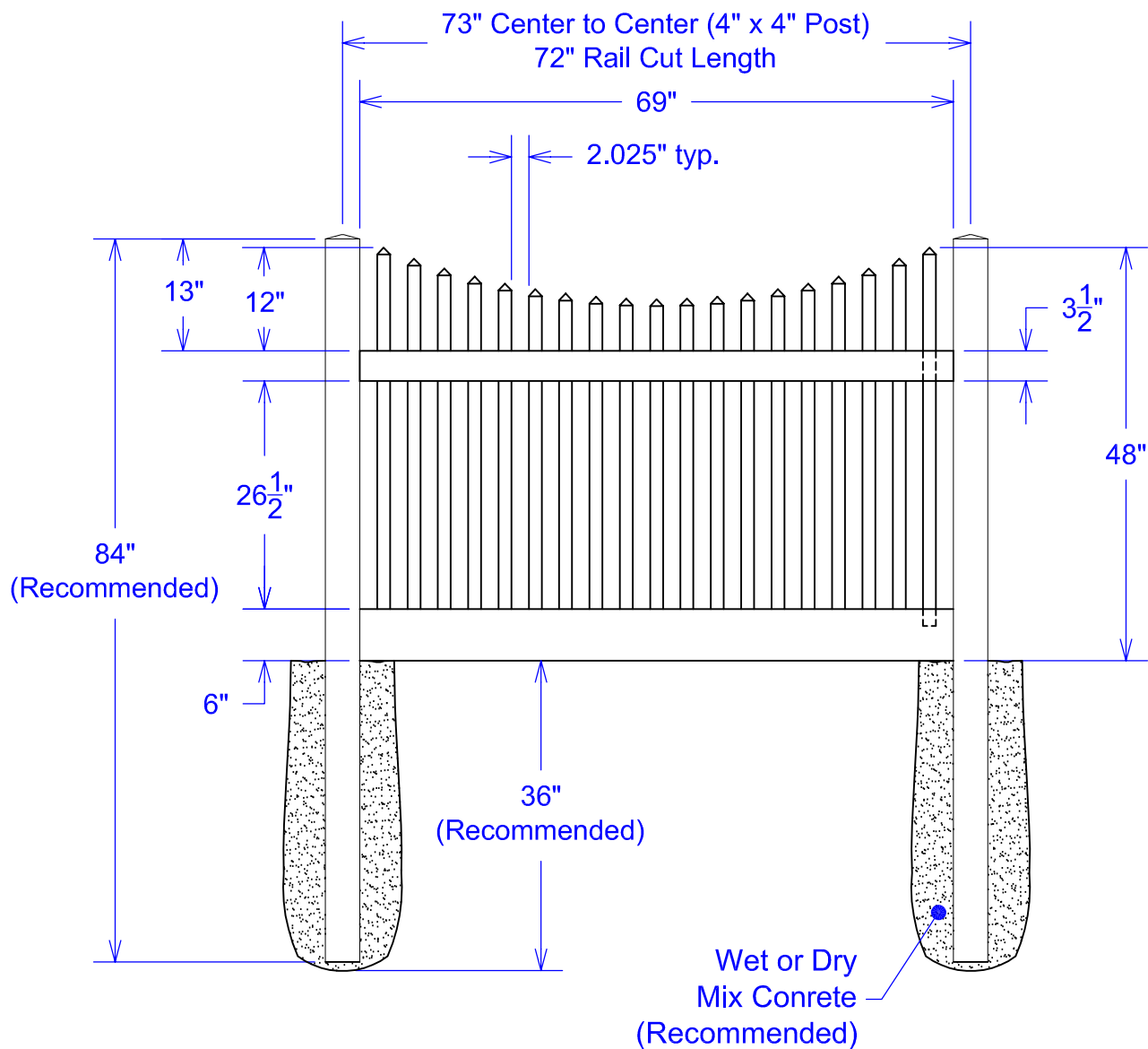
894 Prairie Avenue
Wilmington, Ohio 45177

Phone: (937) 383-2004 Fax: (937) 383-2022

Drawn By:
A.G. Bailey

Classic
Scalloped Top

Scale:
NTS
Date:
6/14/01



Material per 6' section.

Qty	Item	Dimension
1	Rail	2" x 3-1/2" x 72"
1	Rail	2" x 6" x 72"
1	J-Channel	1-3/4" x 1-3/4" x 72"
19	Picket Caps	1-1/2" x 1-1/2"
1	Picket	1-1/2" x 1-1/2" x 37-1/8"
2	Pickets	1-1/2" x 1-1/2" x 37-1/4"
2	Pickets	1-1/2" x 1-1/2" x 37-7/16"

Qty	Item	Dimension
2	Pickets	1-1/2" x 1-1/2" x 37-13/16"
2	Pickets	1-1/2" x 1-1/2" x 38-5/16"
2	Pickets	1-1/2" x 1-1/2" x 38-15/16"
2	Pickets	1-1/2" x 1-1/2" x 39-3/4"
2	Pickets	1-1/2" x 1-1/2" x 40-3/4"
2	Pickets	1-1/2" x 1-1/2" x 41-7/8"
2	Pickets	1-1/2" x 1-1/2" x 43-1/8"



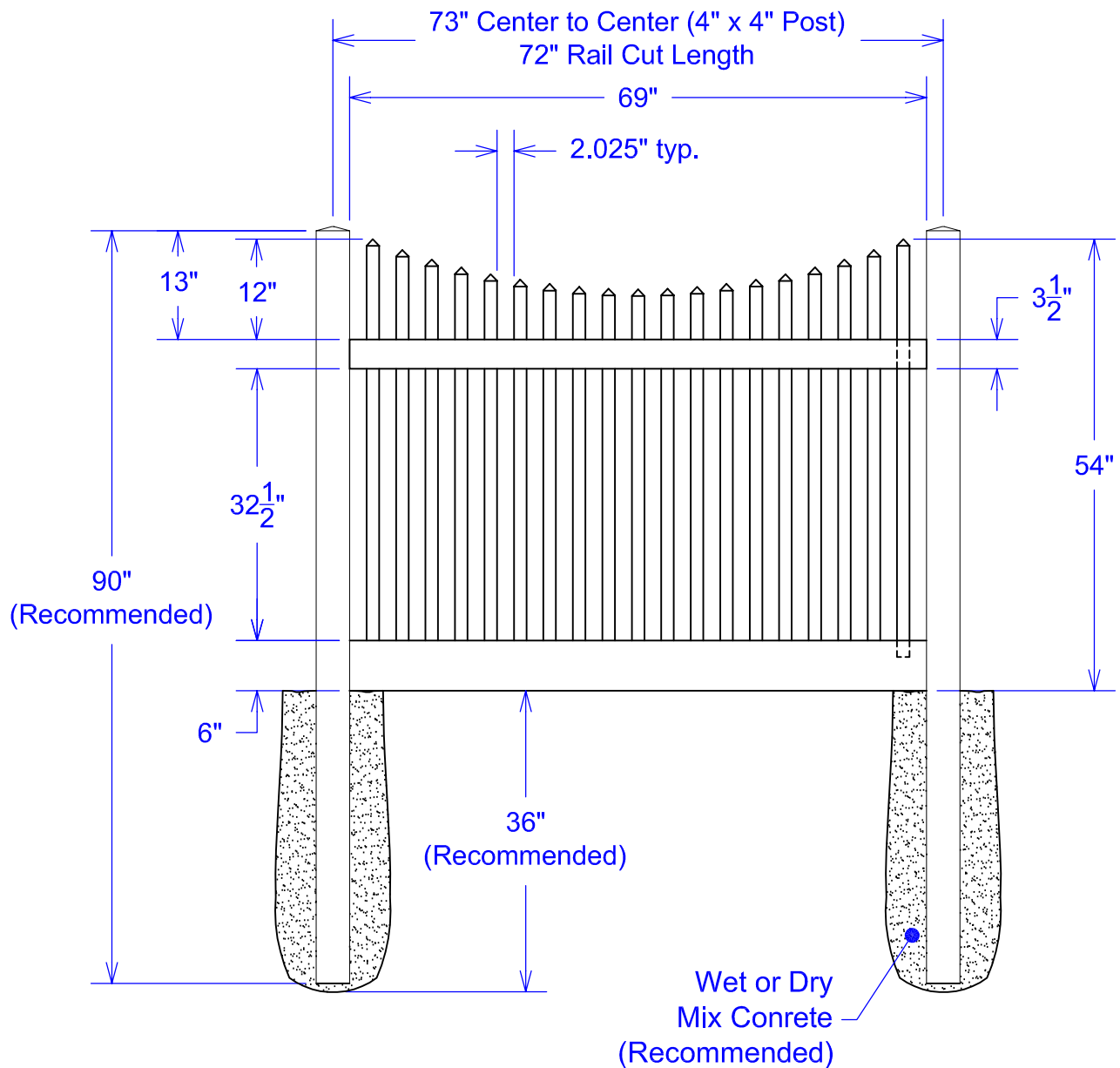
894 Prairie Avenue
Wilmington, Ohio 45177

Phone: (937) 383-2004 Fax: (937) 383-2022

Drawn By:
A.G. Bailey

Classic Scalloped
with 2" x 6"
Bottom Rail
4' x 6' Section

Scale:
NTS
Date:
6/12/01



Material per 6' section.

Qty	Item	Dimension
1	Rail	2" x 3-1/2" x 72"
1	Rail	2" x 6" x 72"
1	J-Channel	1-3/4" x 1-3/4" x 72"
19	Picket Caps	1-1/2" x 1-1/2"
1	Picket	1-1/2" x 1-1/2" x 43-1/8"
2	Pickets	1-1/2" x 1-1/2" x 43-1/4"
2	Pickets	1-1/2" x 1-1/2" x 43-7/16"

Qty	Item	Dimension
2	Pickets	1-1/2" x 1-1/2" x 43-13/16"
2	Pickets	1-1/2" x 1-1/2" x 44-5/16"
2	Pickets	1-1/2" x 1-1/2" x 44-15/16"
2	Pickets	1-1/2" x 1-1/2" x 45-3/4"
2	Pickets	1-1/2" x 1-1/2" x 46-3/4"
2	Pickets	1-1/2" x 1-1/2" x 47-7/8"
2	Pickets	1-1/2" x 1-1/2" x 49-1/8"



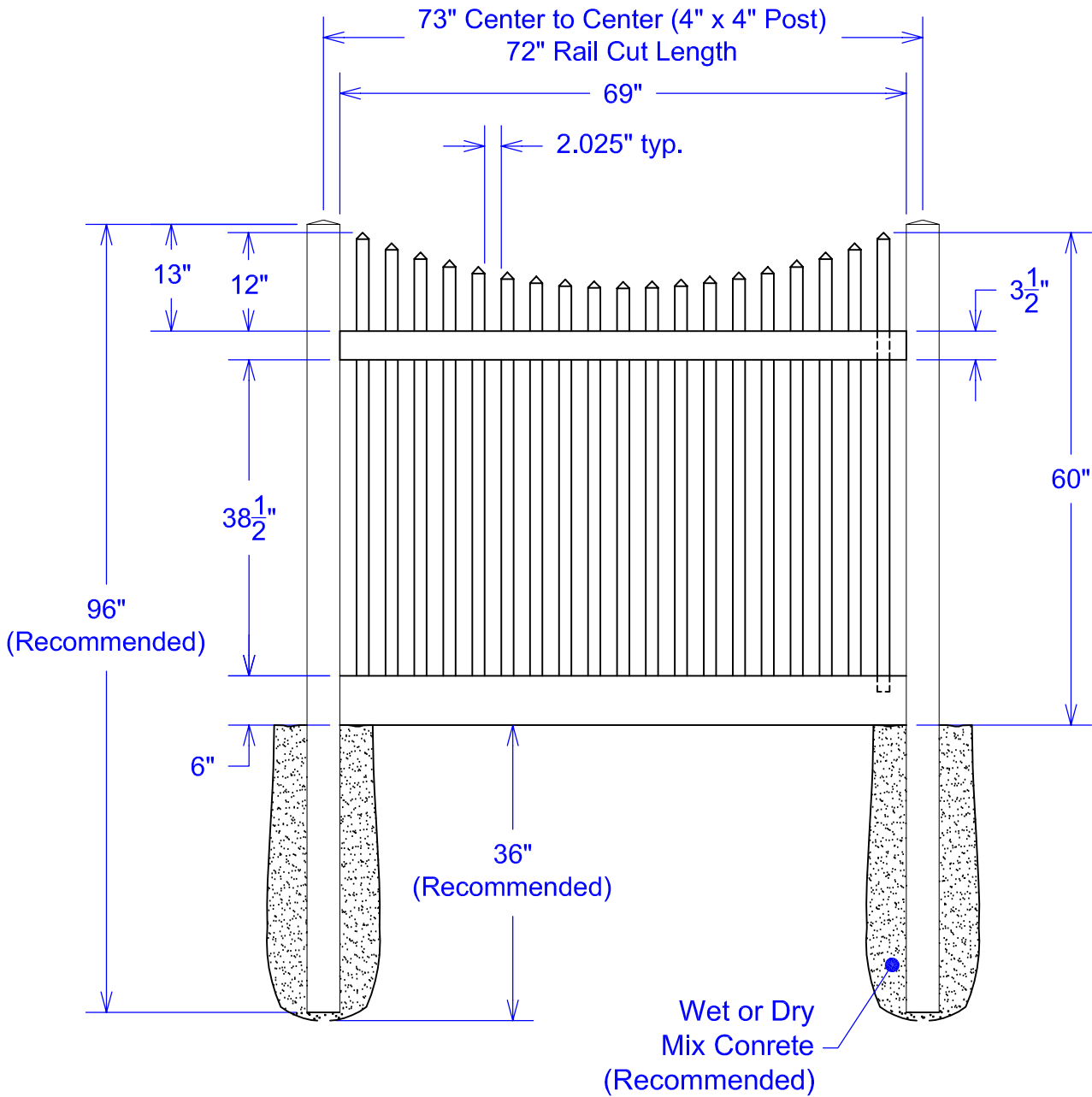
894 Prairie Avenue
Wilmington, Ohio 45177

Phone: (937) 383-2004 Fax: (937) 383-2022

Drawn By:
A.G. Bailey

Classic Scalloped
with 2" x 6"
Bottom Rail
4 1/2' x 6' Section

Scale:
NTS
Date:
6/12/01



Material per 6' section.

Qty	Item	Dimension
1	Rail	2" x 3-1/2" x 72"
1	Rail	2" x 6" x 72"
1	J-Channel	1-3/4" x 1-3/4" x 72"
19	Picket Caps	1-1/2" x 1-1/2"
1	Picket	1-1/2" x 1-1/2" x 49-1/8"
2	Pickets	1-1/2" x 1-1/2" x 49-1/4"
2	Pickets	1-1/2" x 1-1/2" x 49-7/16"

Qty	Item	Dimension
2	Pickets	1-1/2" x 1-1/2" x 49-13/16"
2	Pickets	1-1/2" x 1-1/2" x 50-5/16"
2	Pickets	1-1/2" x 1-1/2" x 50-15/16"
2	Pickets	1-1/2" x 1-1/2" x 51-3/4"
2	Pickets	1-1/2" x 1-1/2" x 52-3/4"
2	Pickets	1-1/2" x 1-1/2" x 53-7/8"
2	Pickets	1-1/2" x 1-1/2" x 55-1/8"



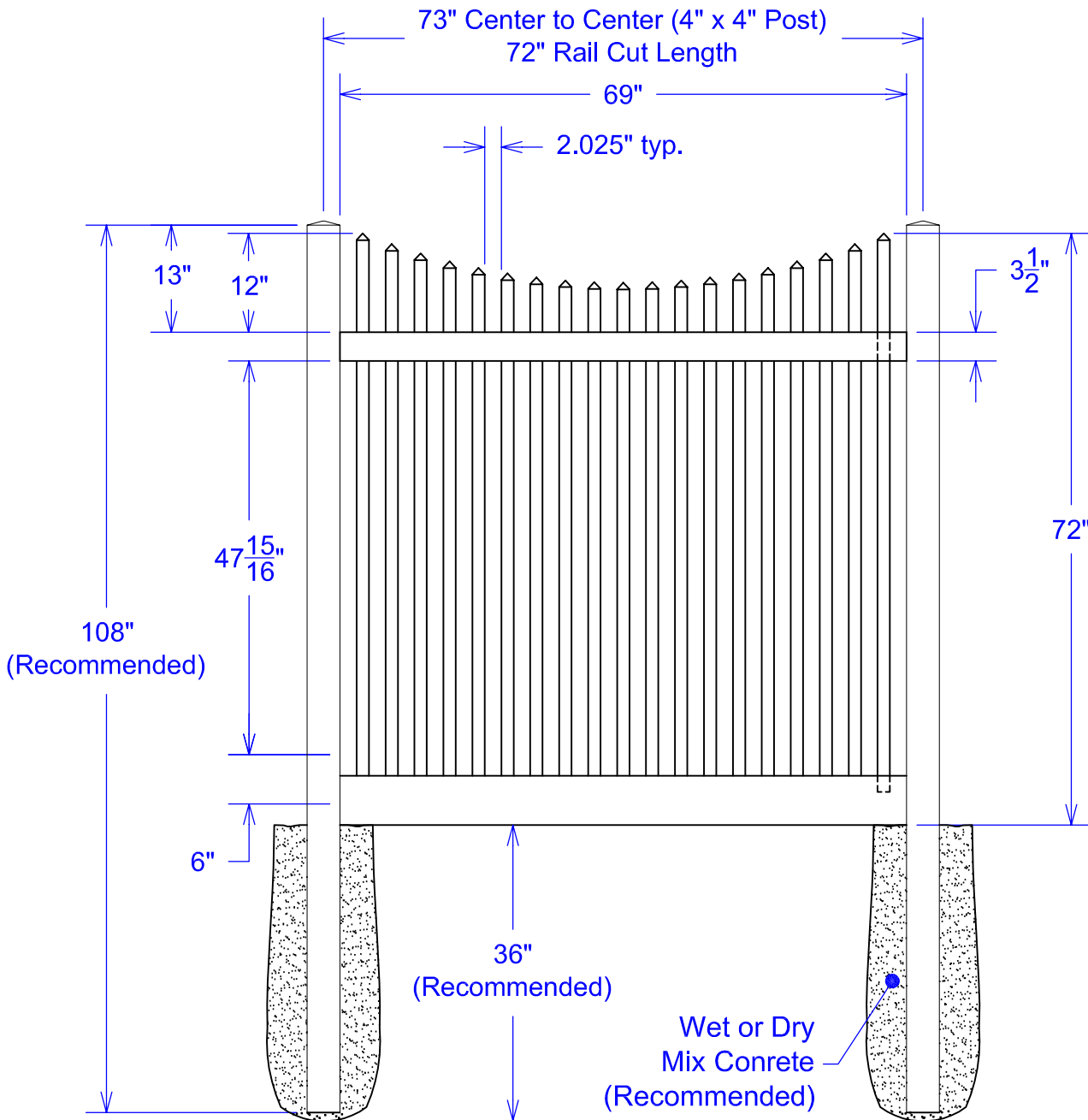
894 Prairie Avenue
Wilmington, Ohio 45177

Phone: (937) 383-2004 Fax: (937) 383-2022

Drawn By:
A.G. Bailey

Classic Scalloped
with 2" x 6"
Bottom Rail
5' x 6' Section

Scale:
NTS
Date:
6/12/01



Material per 6' section.

Qty	Item	Dimension
1	Rail	2" x 3-1/2" x 72"
1	Rail	2" x 6" x 72"
1	J-Channel	1-3/4" x 1-3/4" x 72"
19	Picket Caps	1-1/2" x 1-1/2"
1	Picket	1-1/2" x 1-1/2" x 61-1/8"
2	Pickets	1-1/2" x 1-1/2" x 61-1/4"
2	Pickets	1-1/2" x 1-1/2" x 61-7/16"

Qty	Item	Dimension
2	Pickets	1-1/2" x 1-1/2" x 61-13/16"
2	Pickets	1-1/2" x 1-1/2" x 62-5/16"
2	Pickets	1-1/2" x 1-1/2" x 62-15/16"
2	Pickets	1-1/2" x 1-1/2" x 63-3/4"
2	Pickets	1-1/2" x 1-1/2" x 64-3/4"
2	Pickets	1-1/2" x 1-1/2" x 65-7/8"
2	Pickets	1-1/2" x 1-1/2" x 67-1/8"



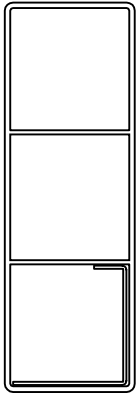
**894 Prairie Avenue
Wilmington, Ohio 45177**

Phone: (937) 383-2004 Fax: (937) 383-2022

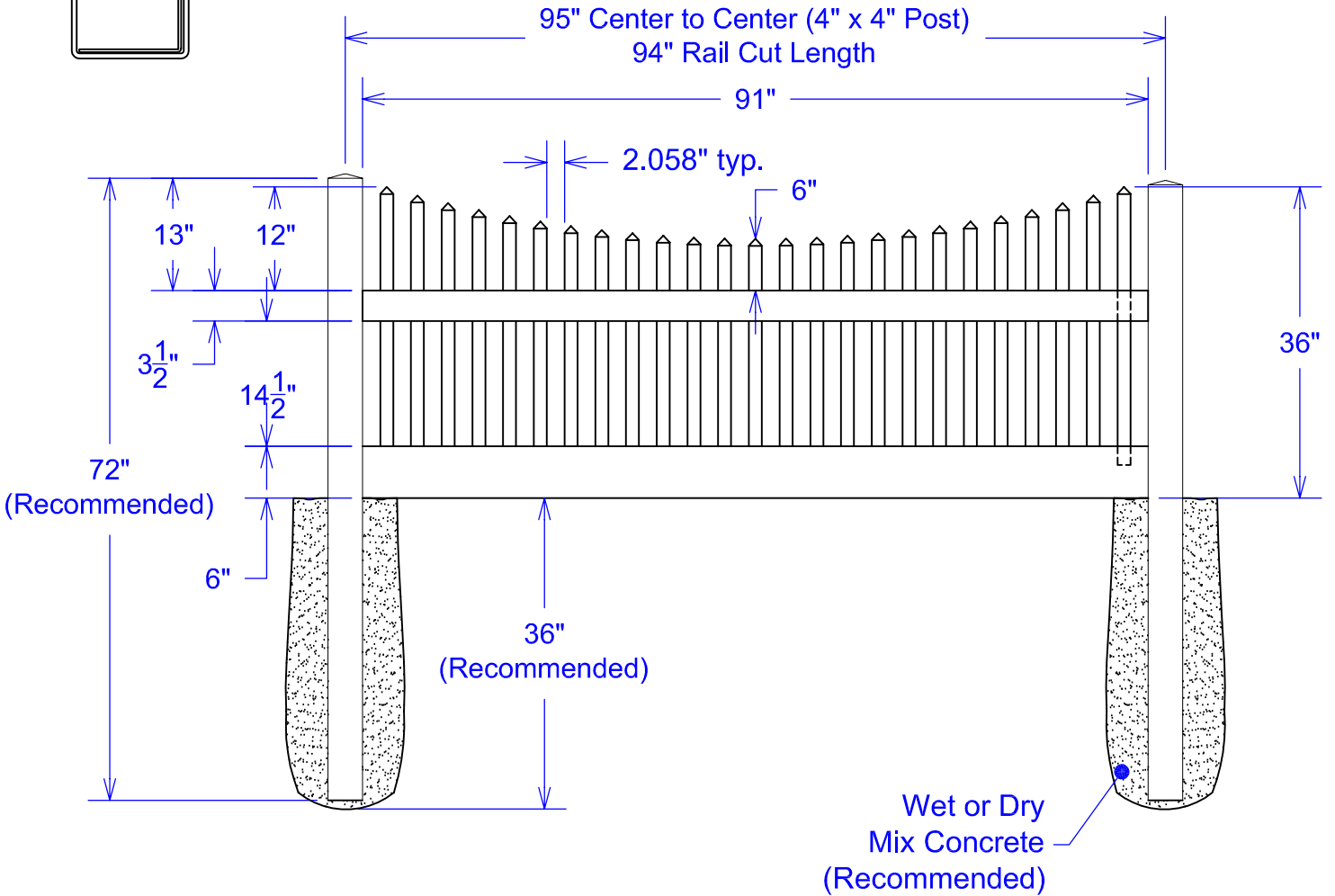
Drawn By:
A.G. Bailey

Classic Scalloped
with 2" x 6"
Bottom Rail
6' x 6' Section

Scale:
NTS
Date:
04/27/01

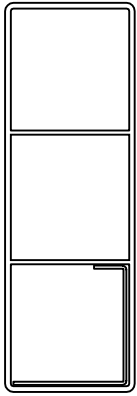


**Bottom Rail
End View**

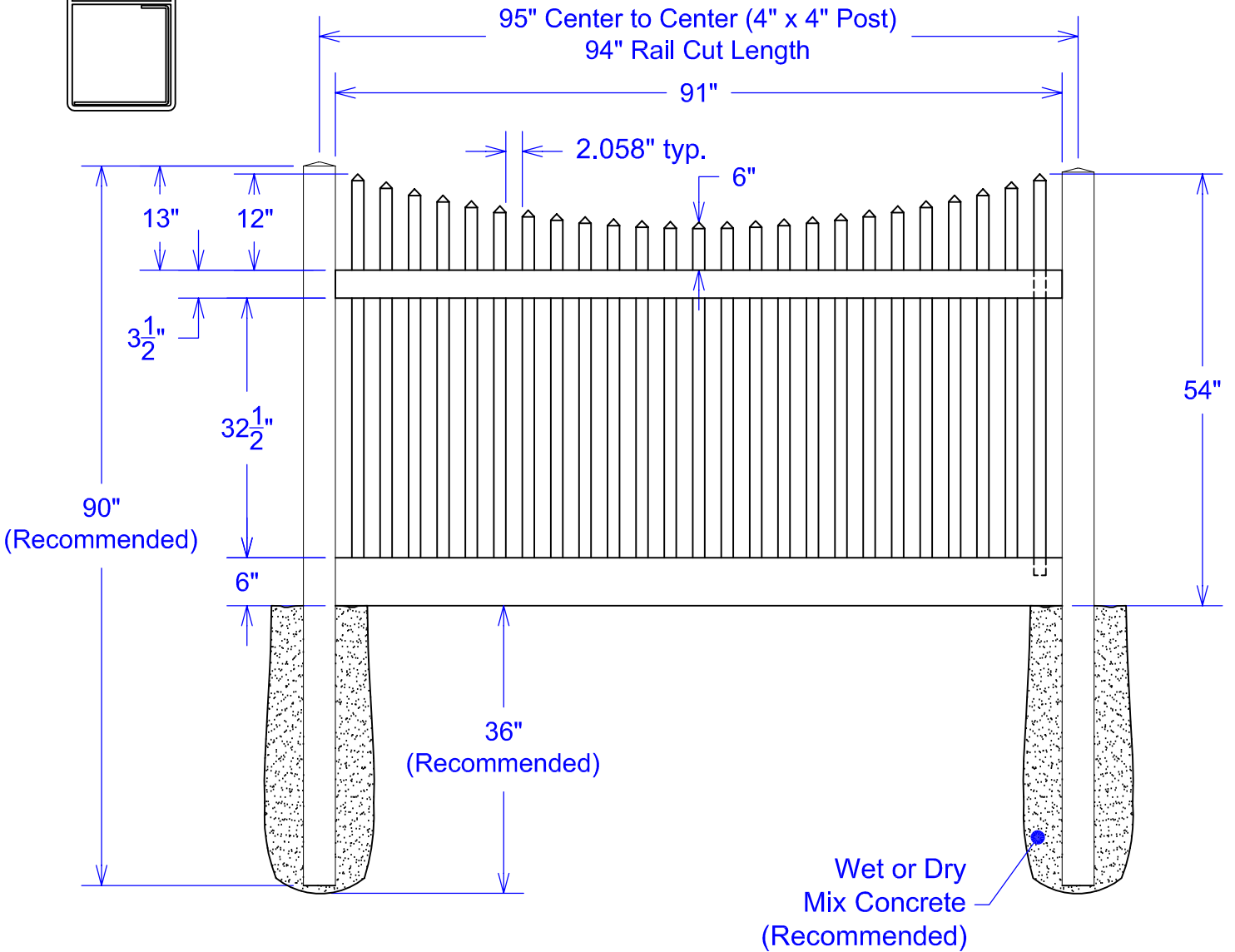


Material per 8' section.

Qty	Item	Dimension	Qty	Item	Dimension
1	Rail	2" x 3-1/2" x 94"	2	Pickets	1-1/2" x 1-1/2" x 27-3/16"
1	Rail	2" x 6" x 94"	2	Pickets	1-1/2" x 1-1/2" x 26-5/8"
1	J-Channel	1-3/4" x 1-3/4" x 94"	2	Pickets	1-1/2" x 1-1/2" x 26-3/16"
25	Picket Caps	1-1/2" x 1-1/2"	2	Pickets	1-1/2" x 1-1/2" x 25-13/16"
2	Pickets	1-1/2" x 1-1/2" x 31-1/8"	2	Pickets	1-1/2" x 1-1/2" x 25-1/2"
2	Pickets	1-1/2" x 1-1/2" x 30-3/16"	2	Pickets	1-1/2" x 1-1/2" x 25-5/16"
2	Pickets	1-1/2" x 1-1/2" x 29-5/16"	2	Pickets	1-1/2" x 1-1/2" x 25-3/16"
2	Pickets	1-1/2" x 1-1/2" x 28-1/2"	1	Pickets	1-1/2" x 1-1/2" x 25-1/8"
2	Pickets	1-1/2" x 1-1/2" x 27-13/16"			

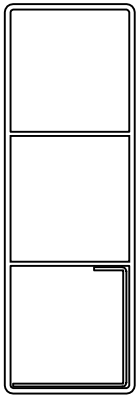


**Bottom Rail
End View**

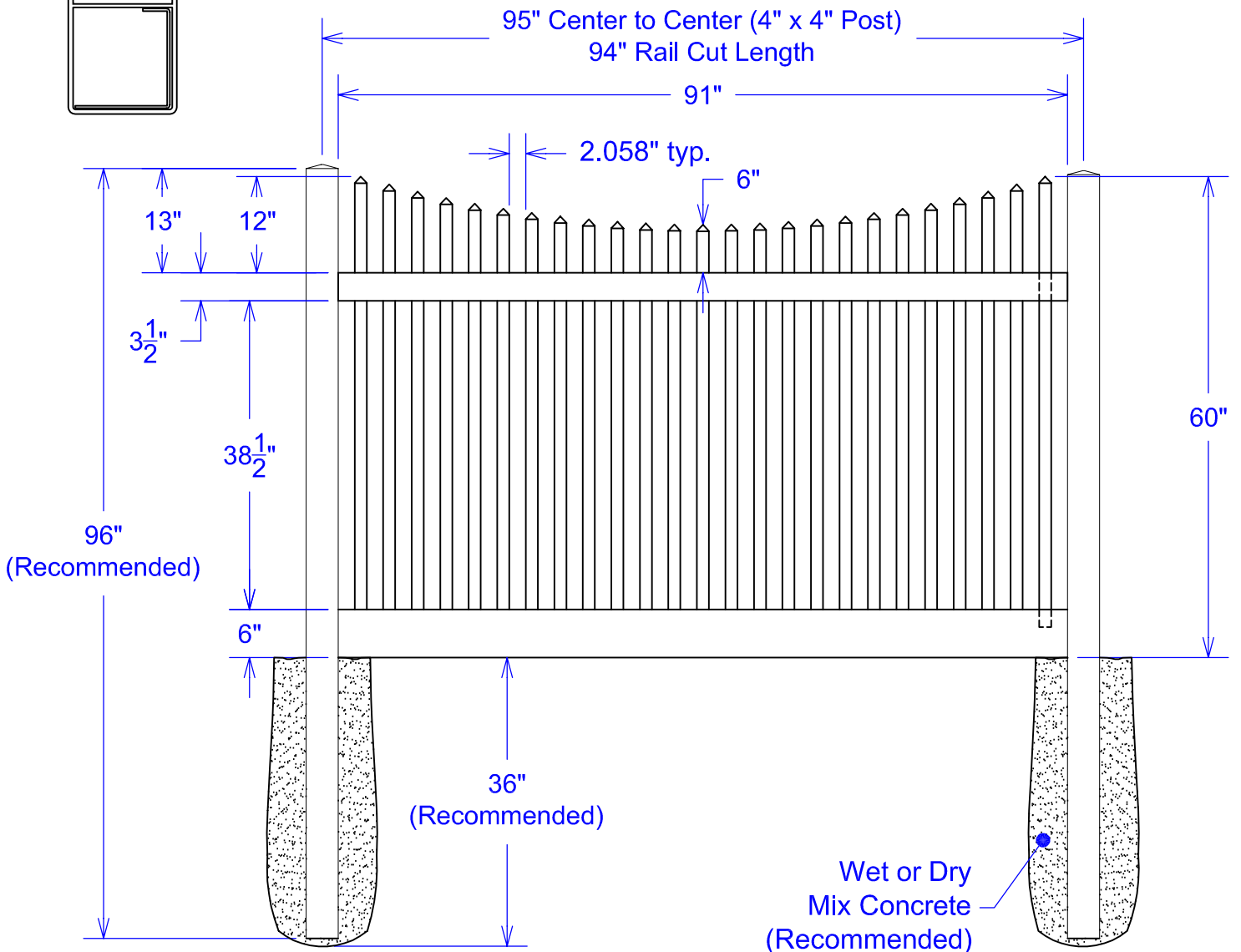


Material per 8' section.

Qty	Item	Dimension	Qty	Item	Dimension
1	Rail	2" x 3-1/2" x 94"	2	Pickets	1-1/2" x 1-1/2" x 45-3/16"
1	Rail	2" x 6" x 94"	2	Pickets	1-1/2" x 1-1/2" x 44-5/8"
1	J-Channel	1-3/4" x 1-3/4" x 94"	2	Pickets	1-1/2" x 1-1/2" x 44-3/16"
25	Picket Caps	1-1/2" x 1-1/2"	2	Pickets	1-1/2" x 1-1/2" x 43-13/16"
2	Pickets	1-1/2" x 1-1/2" x 49-1/8"	2	Pickets	1-1/2" x 1-1/2" x 43-1/2"
2	Pickets	1-1/2" x 1-1/2" x 48-3/16"	2	Pickets	1-1/2" x 1-1/2" x 43-5/16"
2	Pickets	1-1/2" x 1-1/2" x 47-5/16"	2	Pickets	1-1/2" x 1-1/2" x 43-3/16"
2	Pickets	1-1/2" x 1-1/2" x 46-1/2"	1	Pickets	1-1/2" x 1-1/2" x 43-1/8"
2	Pickets	1-1/2" x 1-1/2" x 45-13/16"			

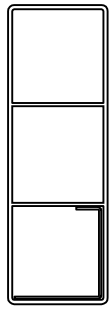


**Bottom Rail
End View**

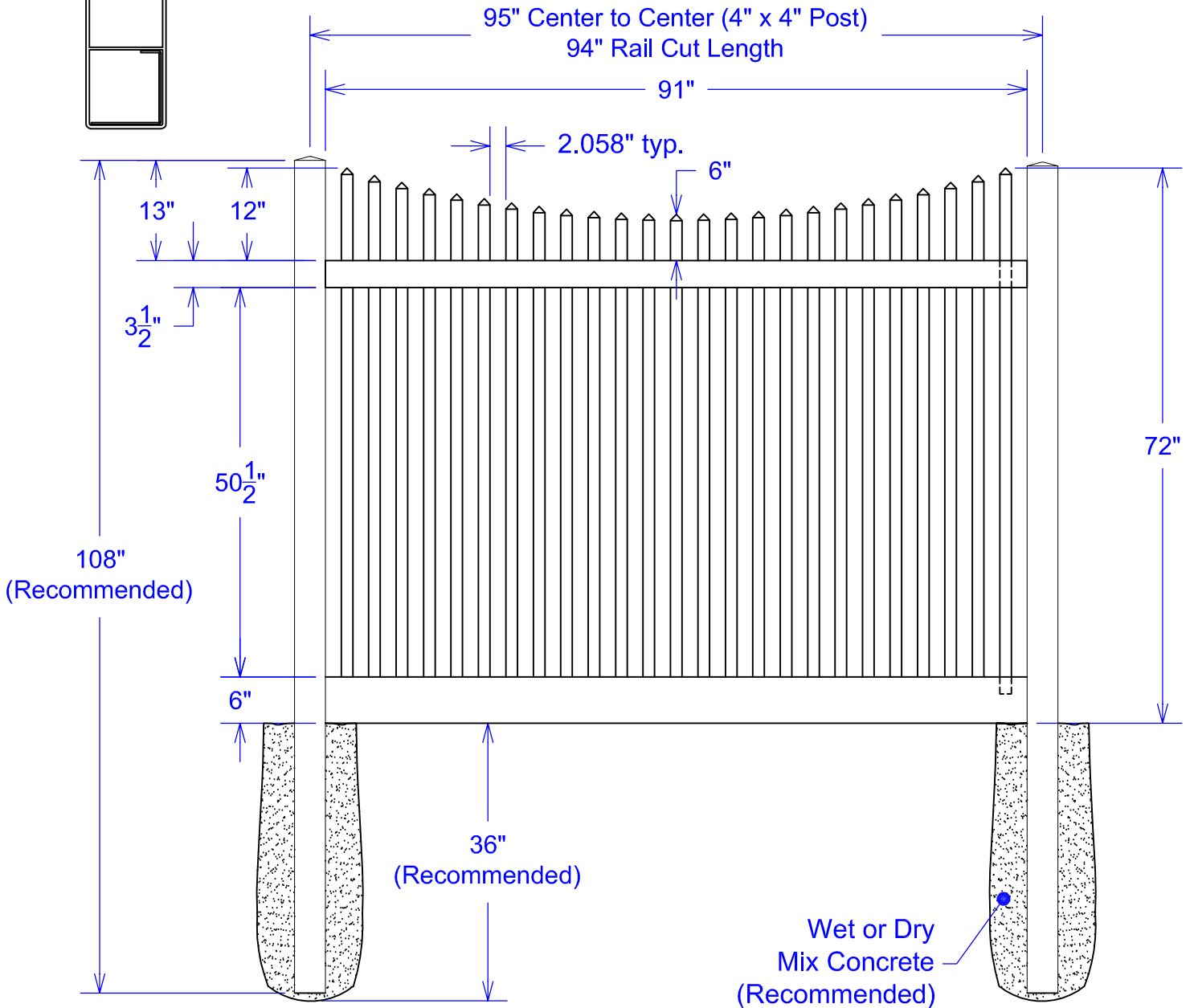


Material per 8' section.

Qty	Item	Dimension	Qty	Item	Dimension
1	Rail	2" x 3-1/2" x 94"	2	Pickets	1-1/2" x 1-1/2" x 51-3/16"
1	Rail	2" x 6" x 94"	2	Pickets	1-1/2" x 1-1/2" x 50-5/8"
1	J-Channel	1-3/4" x 1-3/4" x 94"	2	Pickets	1-1/2" x 1-1/2" x 50-3/16"
25	Picket Caps	1-1/2" x 1-1/2"	2	Pickets	1-1/2" x 1-1/2" x 49-13/16"
2	Pickets	1-1/2" x 1-1/2" x 55-1/8"	2	Pickets	1-1/2" x 1-1/2" x 49-1/2"
2	Pickets	1-1/2" x 1-1/2" x 54-3/16"	2	Pickets	1-1/2" x 1-1/2" x 49-5/16"
2	Pickets	1-1/2" x 1-1/2" x 53-5/16"	2	Pickets	1-1/2" x 1-1/2" x 49-3/16"
2	Pickets	1-1/2" x 1-1/2" x 52-1/2"	1	Pickets	1-1/2" x 1-1/2" x 49-1/8"
2	Pickets	1-1/2" x 1-1/2" x 51-13/16"			



**Bottom Rail
End View**



Material per 8' section.

Qty	Item	Dimension	Qty	Item	Dimension
1	Rail	2" x 3-1/2" x 94"	2	Pickets	1-1/2" x 1-1/2" x 63-3/16"
1	Rail	2" x 6" x 94"	2	Pickets	1-1/2" x 1-1/2" x 62-5/8"
1	J-Channel	1-3/4" x 1-3/4" x 94"	2	Pickets	1-1/2" x 1-1/2" x 62-3/16"
25	Picket Caps	1-1/2" x 1-1/2"	2	Pickets	1-1/2" x 1-1/2" x 61-13/16"
2	Pickets	1-1/2" x 1-1/2" x 67-1/8"	2	Pickets	1-1/2" x 1-1/2" x 61-1/2"
2	Pickets	1-1/2" x 1-1/2" x 66-3/16"	2	Pickets	1-1/2" x 1-1/2" x 61-5/16"
2	Pickets	1-1/2" x 1-1/2" x 65-5/16"	2	Pickets	1-1/2" x 1-1/2" x 61-3/16"
2	Pickets	1-1/2" x 1-1/2" x 64-1/2"	1	Pickets	1-1/2" x 1-1/2" x 61-1/8"
2	Pickets	1-1/2" x 1-1/2" x 63-13/16"			