

Glue Post Cap to Post
(Internal Cap Shown)

2" x 3½" Hole for Rail in the Post
Locate as Shown

4" x 4" Post

2" x 6" Hole for Rail in the Post
Locate as Shown

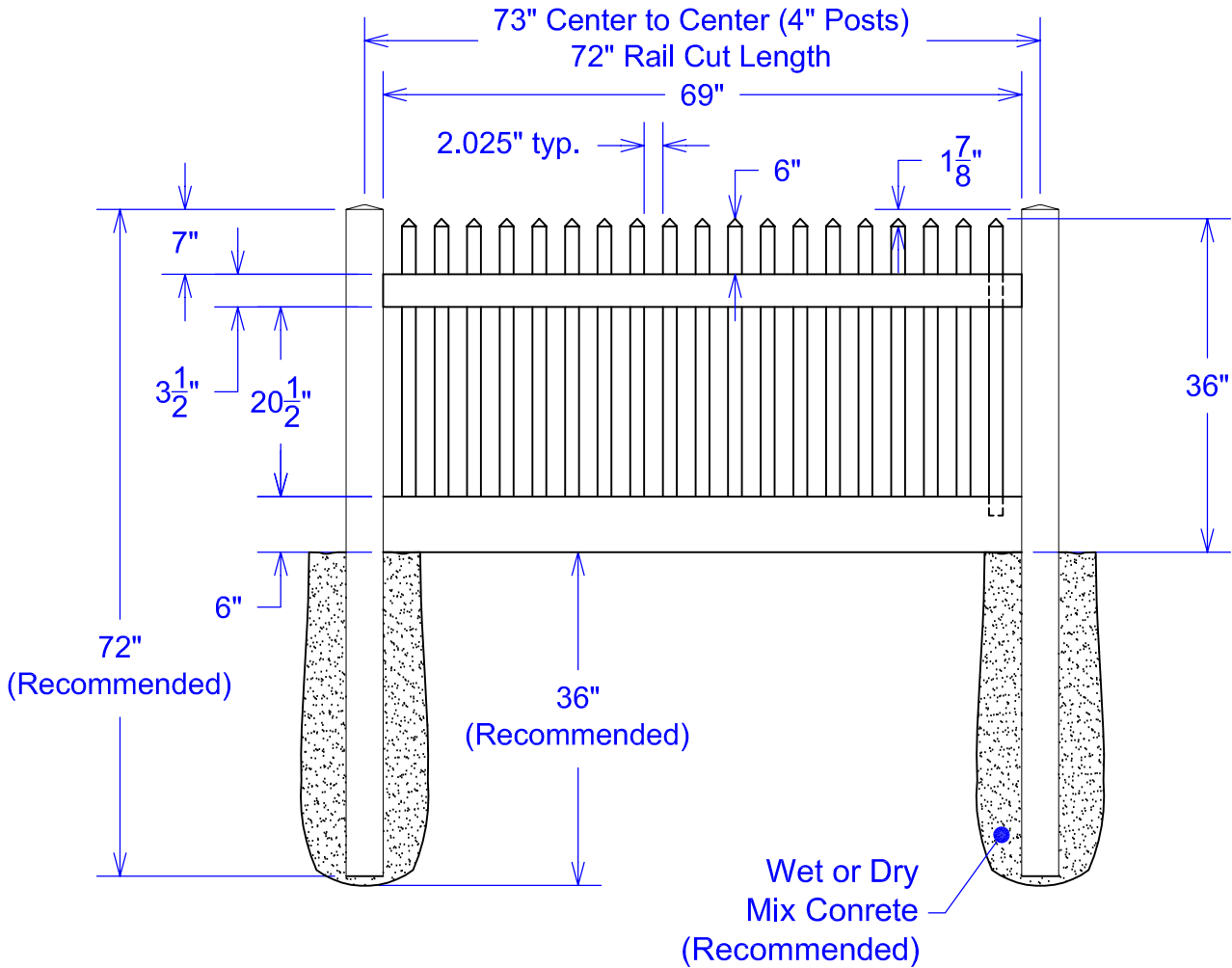
(1) 2" x 3½" Rail
Slide into Post 1½"

1½" x 1½" Picket
Slide into Rails
As Shown.

Route Upper and Lower Rails As
Shown for Pickets.

(1) 2" x 6" Rail
Slide into Post 1½"

Galvanized "J" Channel



Material per 6' section.		
Qty	Item	Dimension
1	Rail	2" x 6" x 72"
1	Rail	2" x 3-1/2" x 72"
1	J-Channel	1-3/4" x 1-3/4" x 72"
19	Picket Caps	1-1/2" x 1-1/2"
19	Pickets	1-1/2" x 1-1/2" x 31-1/8"



**Bottom Rail
End View**



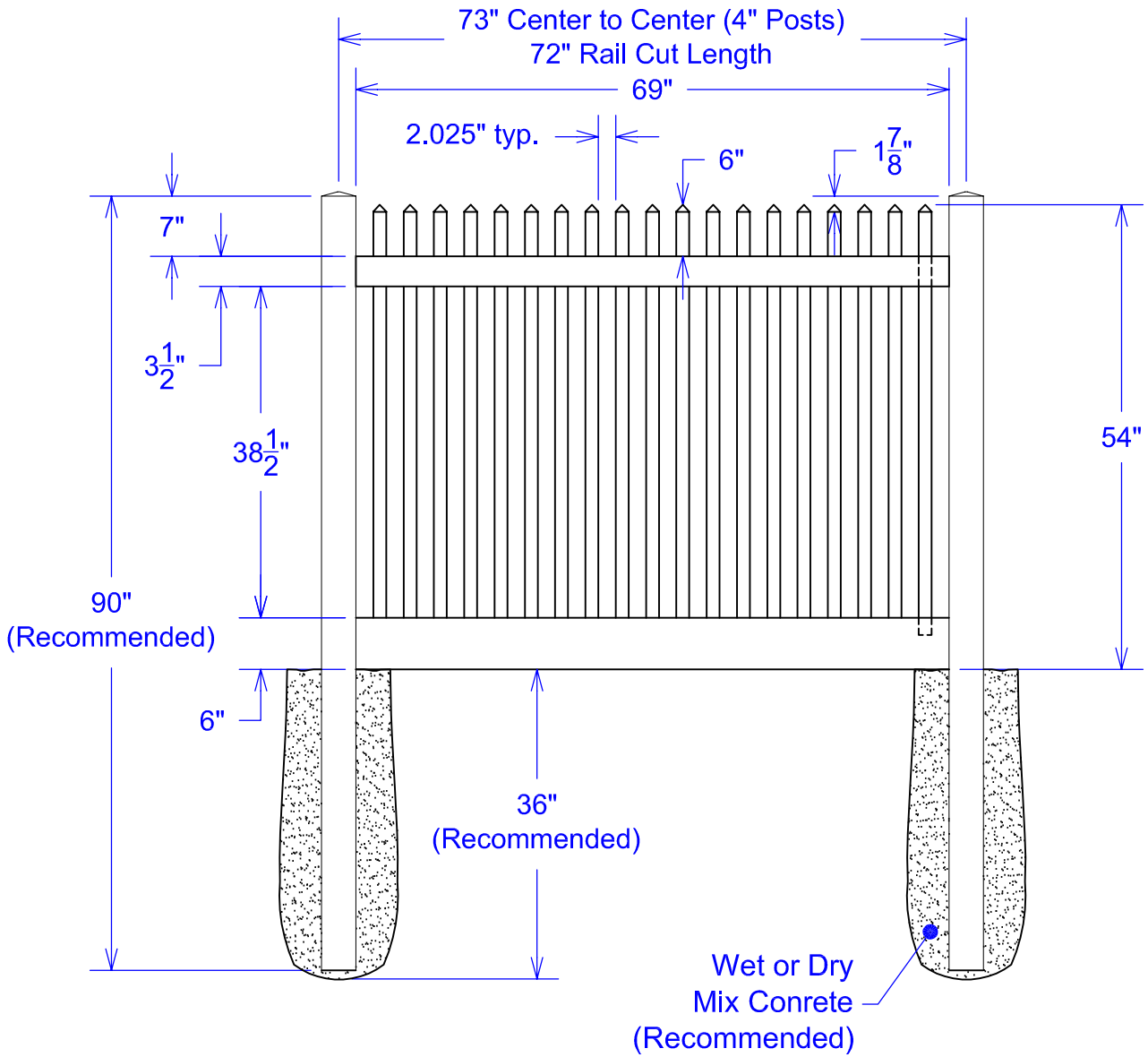
894 Prairie Avenue
Wilmington, Ohio 45177

Building Materials for the Future Phone: (937) 383-2004 Fax: (937) 383-2022

Drawn By:
A.G.Bailey

Classic Flat Top
with 2" x 6"
Bottom Rail
3' x 6'

Scale:
NTS
Date:
6/12/01



Wet or Dry
Mix Concrete
(Recommended)



**Bottom Rail
End View**

Material per 6' section.		
Qty	Item	Dimension
1	Rail	2" x 6" x 72"
1	Rail	2" x 3-1/2" x 72"
1	J-Channel	1-3/4" x 1-3/4" x 72"
19	Picket Caps	1-1/2" x 1-1/2"
19	Pickets	1-1/2" x 1-1/2" x 49-1/8"



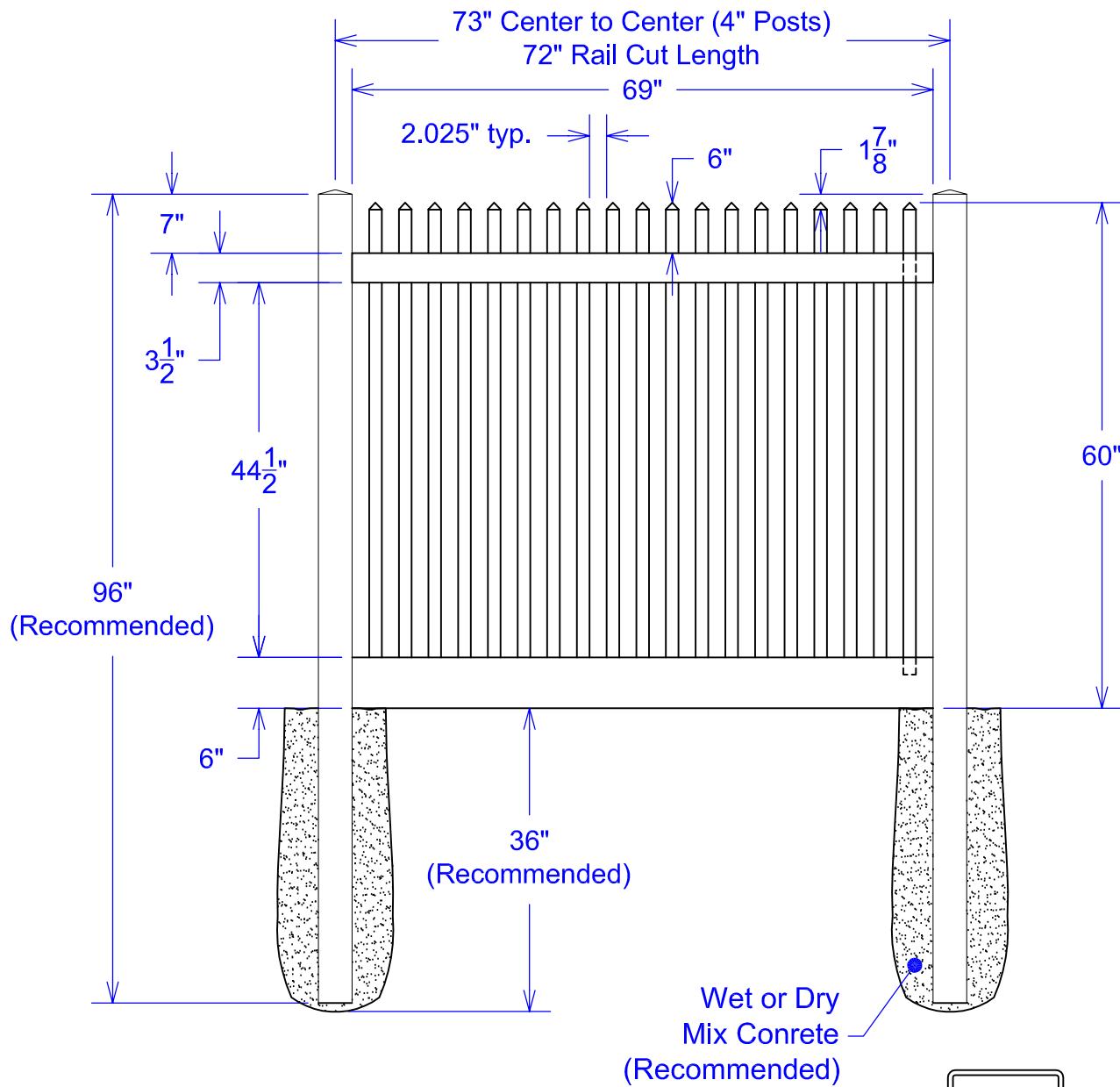
894 Prairie Avenue
Wilmington, Ohio 45177

Phone: (937) 383-2004 Fax: (937) 383-2022

Drawn By:
A.G. Bailey

Classic Flat Top
with 2" x 6"
Bottom Rail
4 1/2' x 6'

Scale:
NTS
Date:
6/12/01



Material per 6' section.		
Qty	Item	Dimension
1	Rail	2" x 6" x 72"
1	Rail	2" x 3-1/2" x 72"
1	J-Channel	1-3/4" x 1-3/4" x 72"
19	Picket Caps	1-1/2" x 1-1/2"
19	Pickets	1-1/2" x 1-1/2" x 55-1/8"



**Bottom Rail
End View**



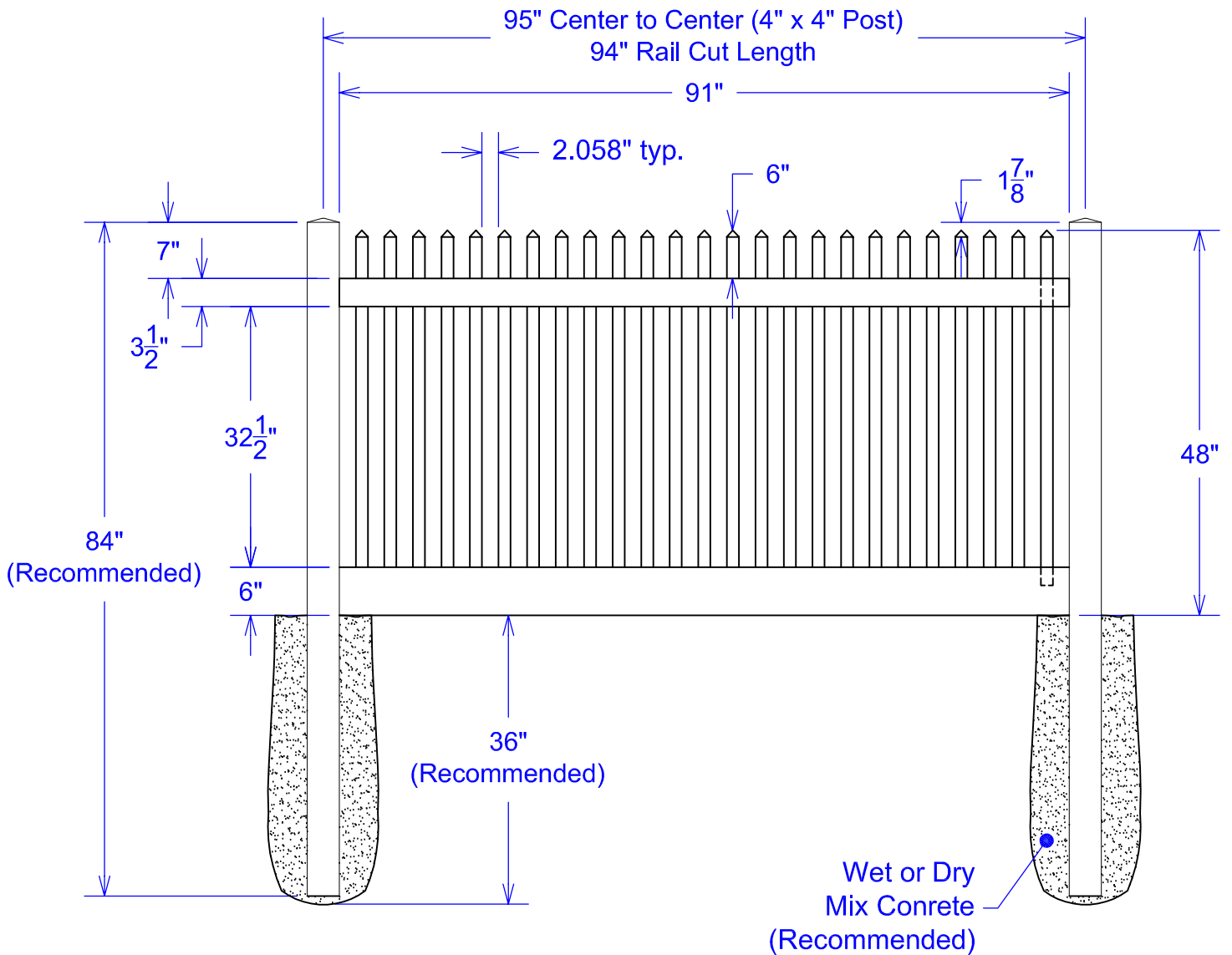
894 Prairie Avenue
Wilmington, Ohio 45177

Phone: (937) 383-2004 Fax: (937) 383-2022

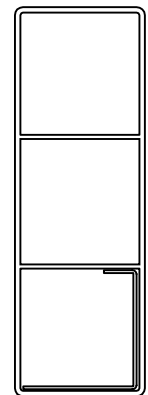
Drawn By:
A.G. Bailey

Classic Flat Top
with 2" x 6"
Bottom Rail
5' x 6'

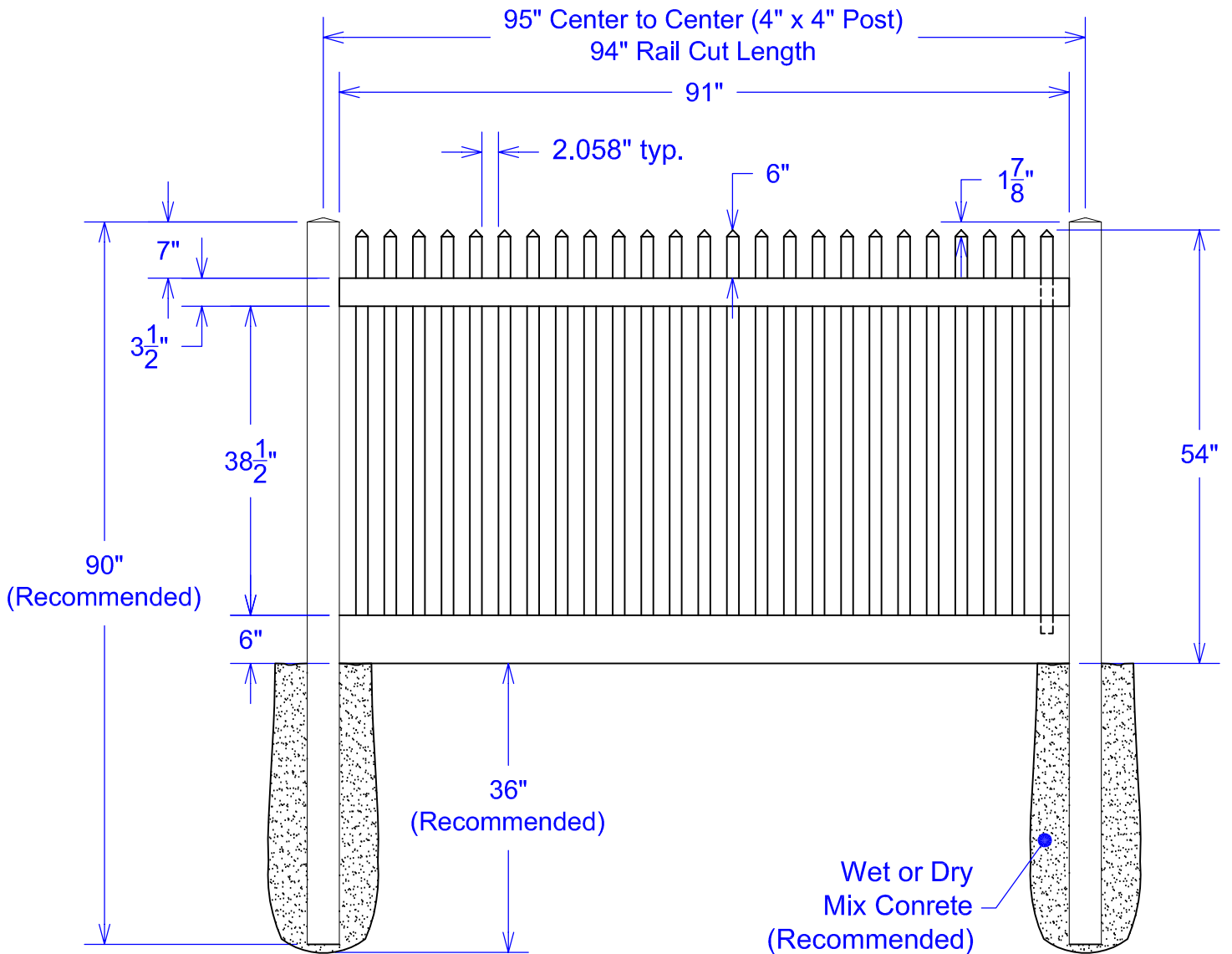
Scale:
NTS
Date:
6/12/01



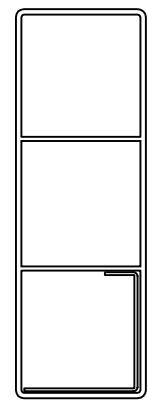
Material per 8' section.		
Qty	Item	Dimension
1	Rail	2" x 6" x 94"
1	Rail	2" x 3-1/2" x 94"
1	J-Channel	1-3/4" x 1-3/4" x 93"
25	Picket Caps	1-1/2" x 1-1/2"
25	Pickets	1-1/2" x 1-1/2" x 43-1/8"



**Bottom Rail
End View**

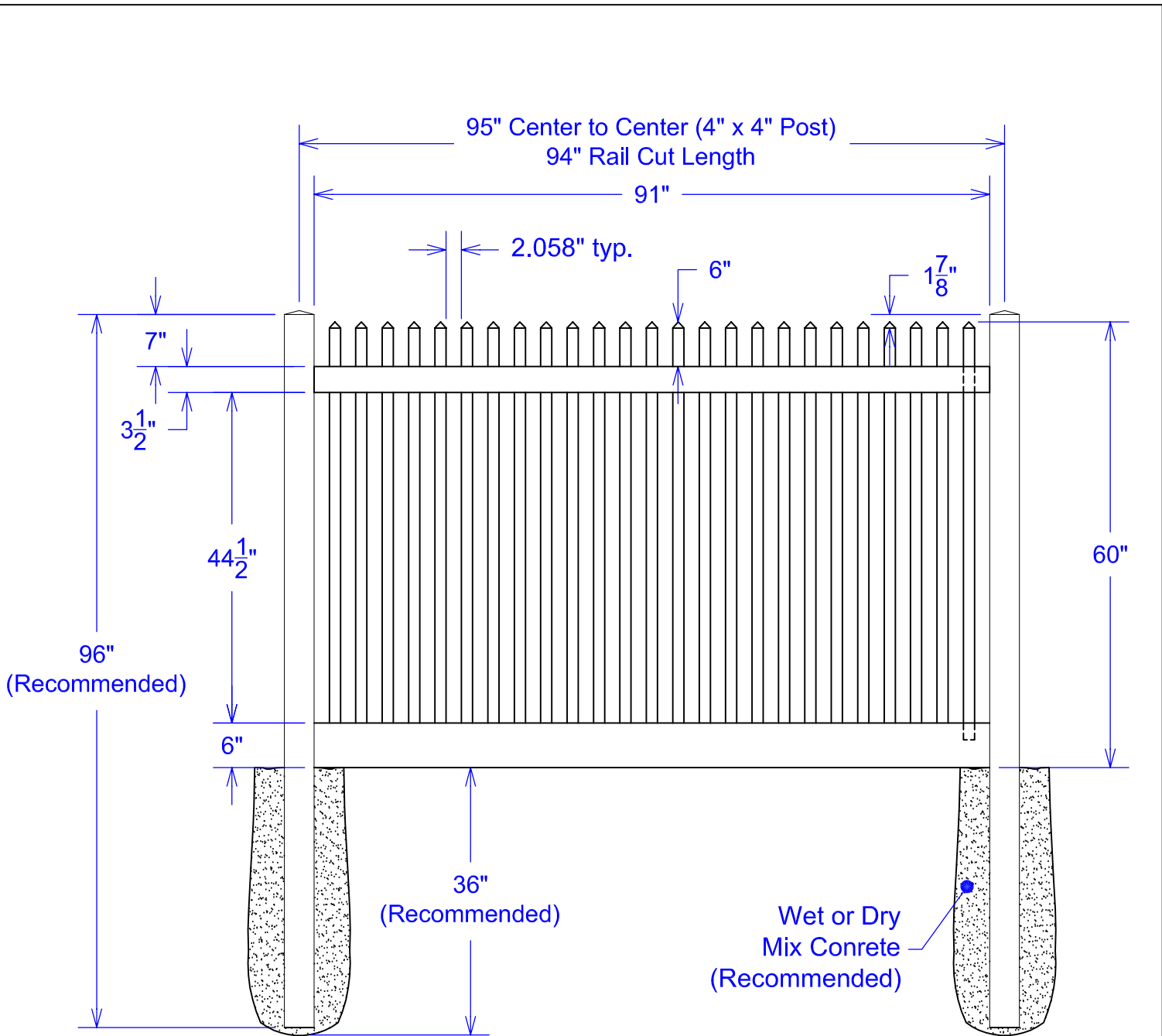


Wet or Dry
Mix Concrete
(Recommended)

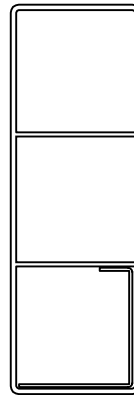


**Bottom Rail
End View**

Material per 8' section.		
Qty	Item	Dimension
1	Rail	2" x 6" x 94"
1	Rail	2" x 3-1/2" x 94"
1	J-Channel	1-3/4" x 1-3/4" x 93"
25	Picket Caps	1-1/2" x 1-1/2"
25	Pickets	1-1/2" x 1-1/2" x 49-1/8"



Material per 8' section.		
Qty	Item	Dimension
1	Rail	2" x 6" x 94"
1	Rail	2" x 3-1/2" x 94"
1	J-Channel	1-3/4" x 1-3/4" x 93"
25	Picket Caps	1-1/2" x 1-1/2"
25	Pickets	1-1/2" x 1-1/2" x 55-1/8"



**Bottom Rail
End View**

