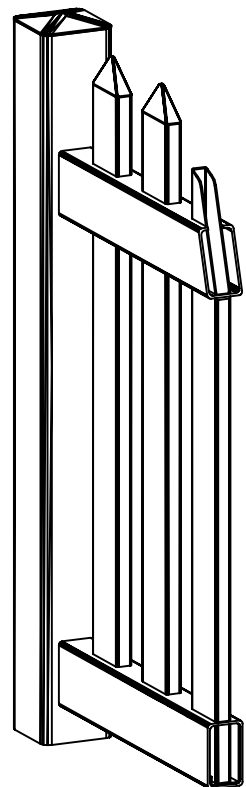


Narrow Space with Dog Ear Cap



Wide Space with Spade Cap

Glue Post Cap to Post
(Internal Cap Shown)

Spade Cap
Glue Picket
Cap to Picket

Dog Ear Cap
Glue Picket
Cap to Picket

4" x 4" Post

2" x 3½" Hole for
Rail in the Post
Locate as Shown
(6' HEIGHT ONLY)

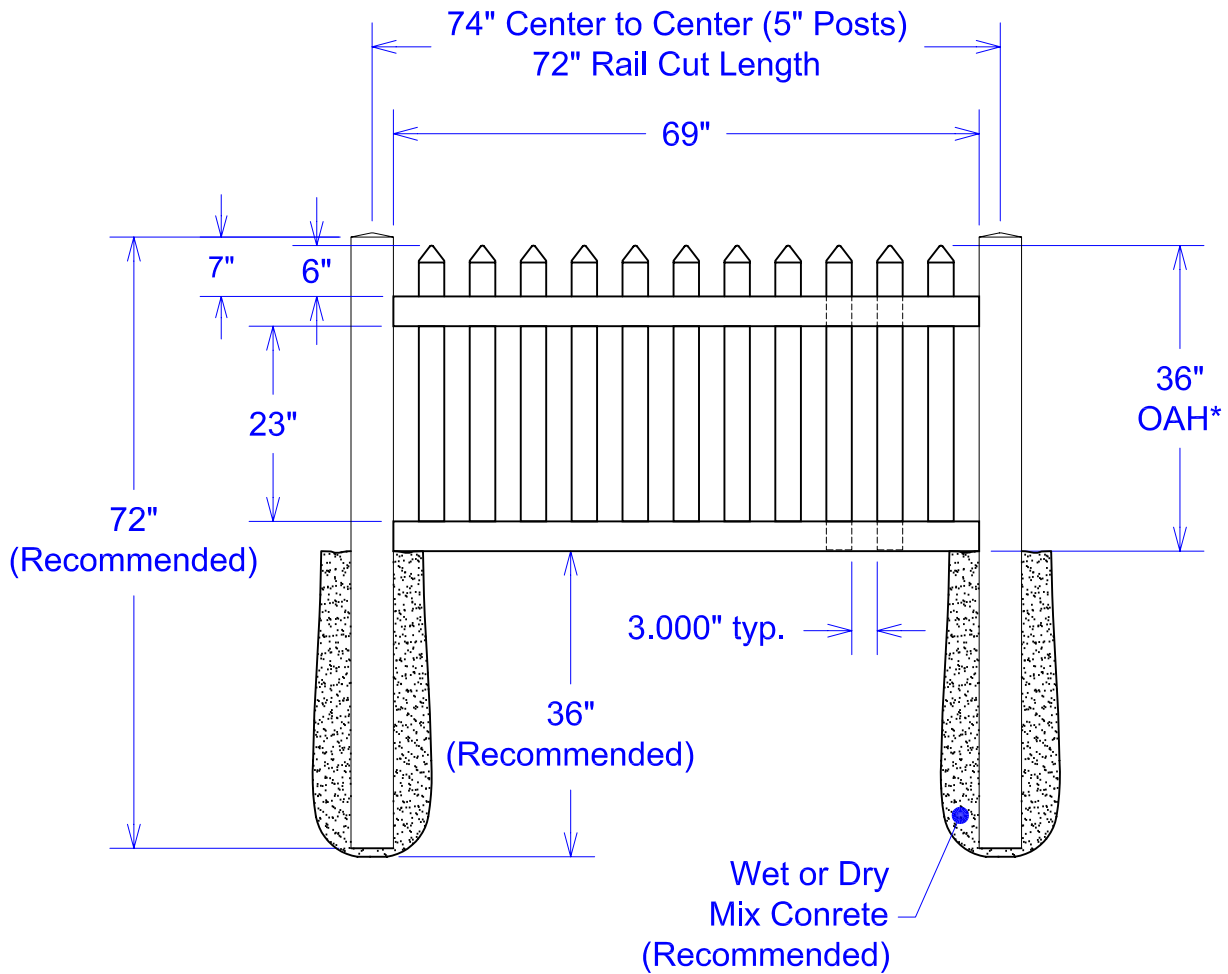
2" x 3½" Hole for
Rail in the Post (TYP)
Locate as Shown

(2) 2" x 3½" Rail
Slide into Post 1½"

Optional Galvanized
"J" Channel

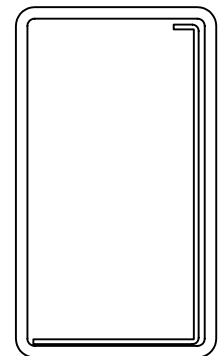
7/8" x 3" Picket
Slide into Rails
As Shown.

(1) 2" x 3½" Rail
Slide into Post 1½"
(6' HEIGHT ONLY)

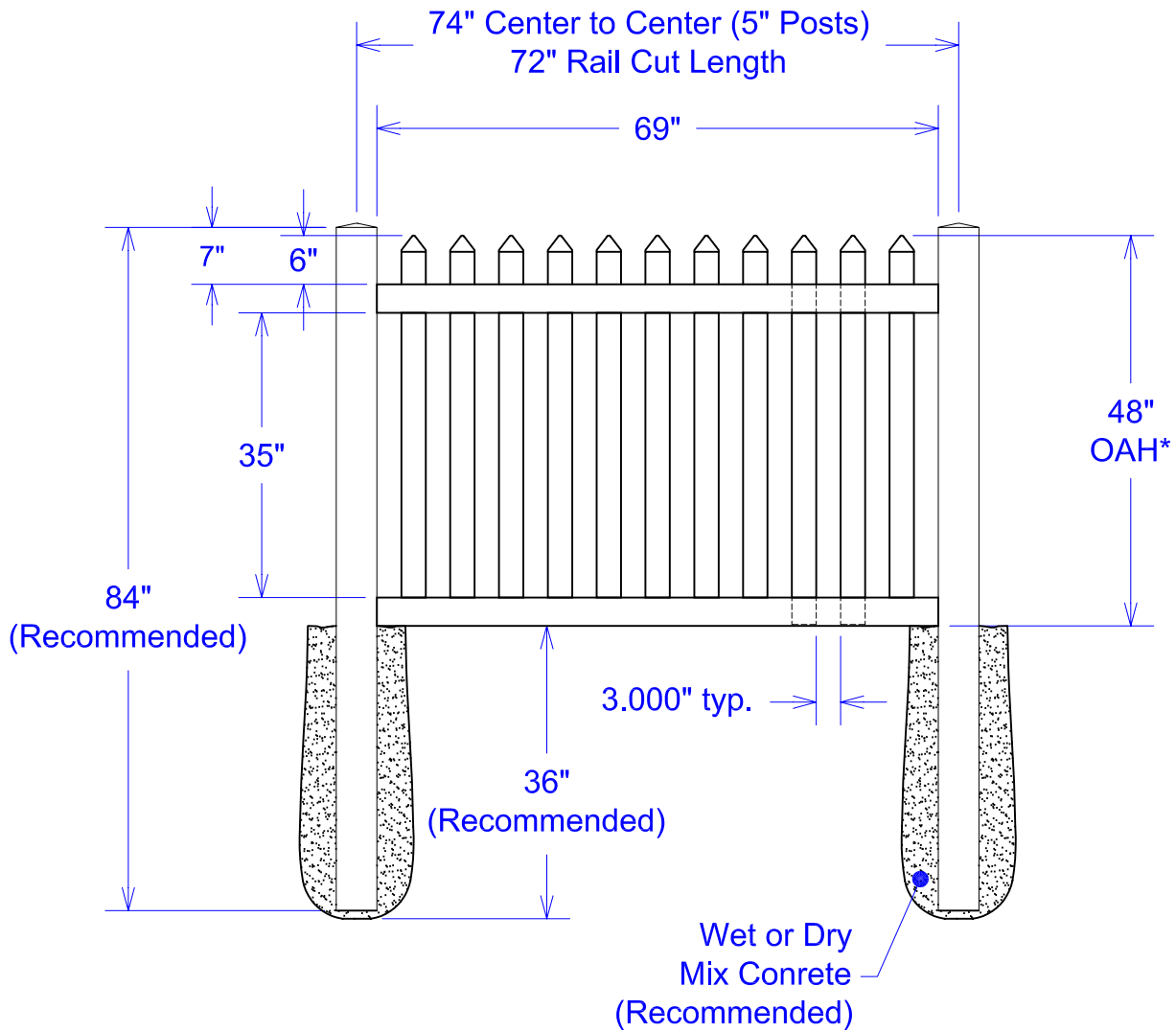


* Note: Dog Ear Caps can be substituted using the same length pickets. The OAH will be one inch shorter.

| Material per 6' section. | | |
|--------------------------|------------|-------------------------|
| Qty | Item | Dimension |
| 2 | Rails | 2" x 3-1/2" x 72" |
| 1 | J-Channel | 1-9/16" x 3-3/16" x 72" |
| 11 | Pickets | 7/8" x 3" x 33-13/16" |
| 11 | Spade Caps | 7/8" x 3" |

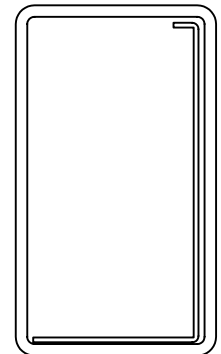


**Bottom Rail
End View**

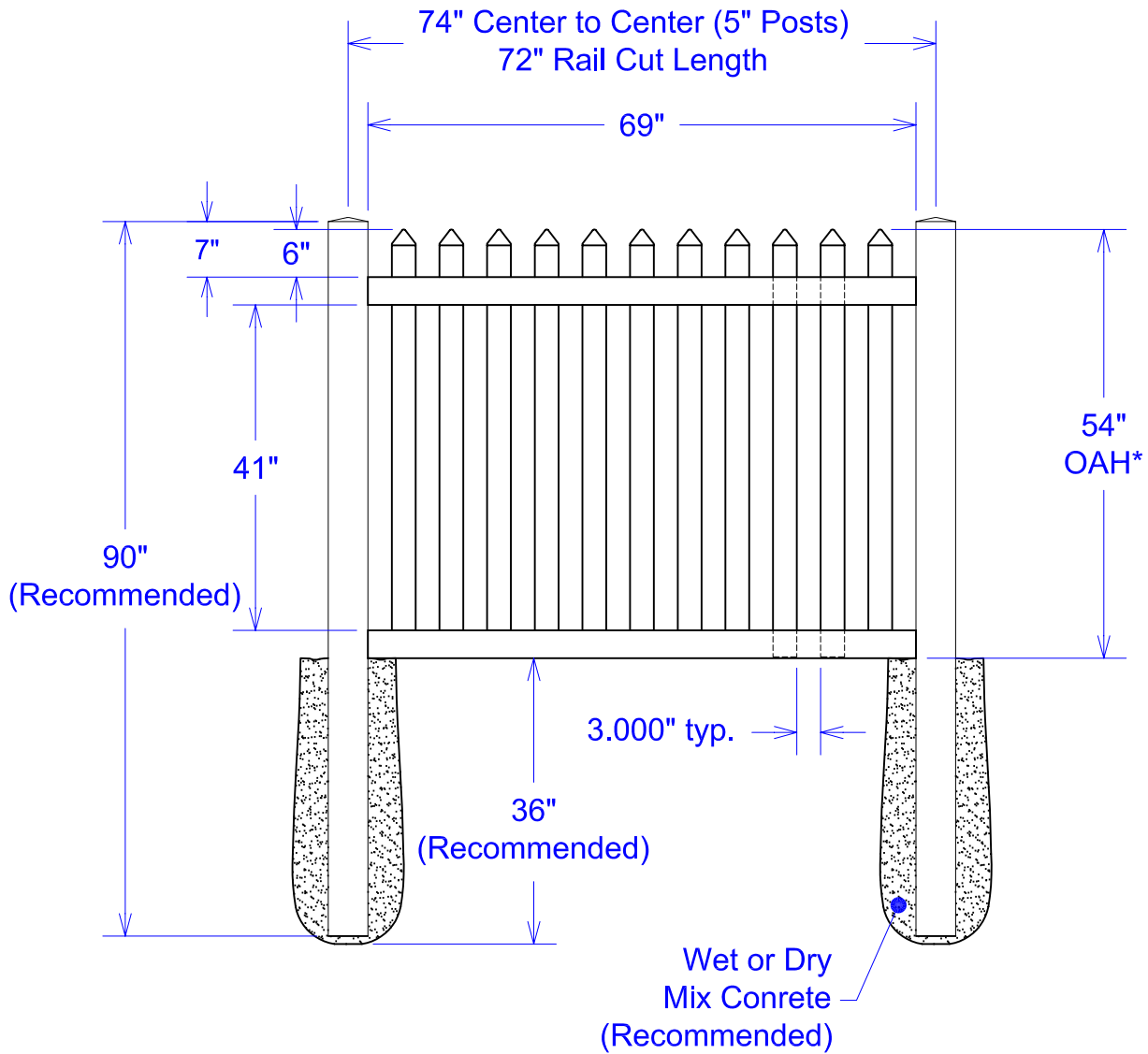


* Note: Dog Ear Caps can be substituted using the same length pickets. The OAH will be one inch shorter.

| Material per 6' section. | | |
|--------------------------|------------|-------------------------|
| Qty | Item | Dimension |
| 2 | Rails | 2" x 3-1/2" x 72" |
| 1 | J-Channel | 1-9/16" x 3-3/16" x 72" |
| 11 | Pickets | 7/8" x 3" x 45-13/16" |
| 11 | Spade Caps | 7/8" x 3" |

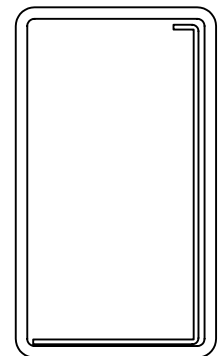


**Bottom Rail
End View**

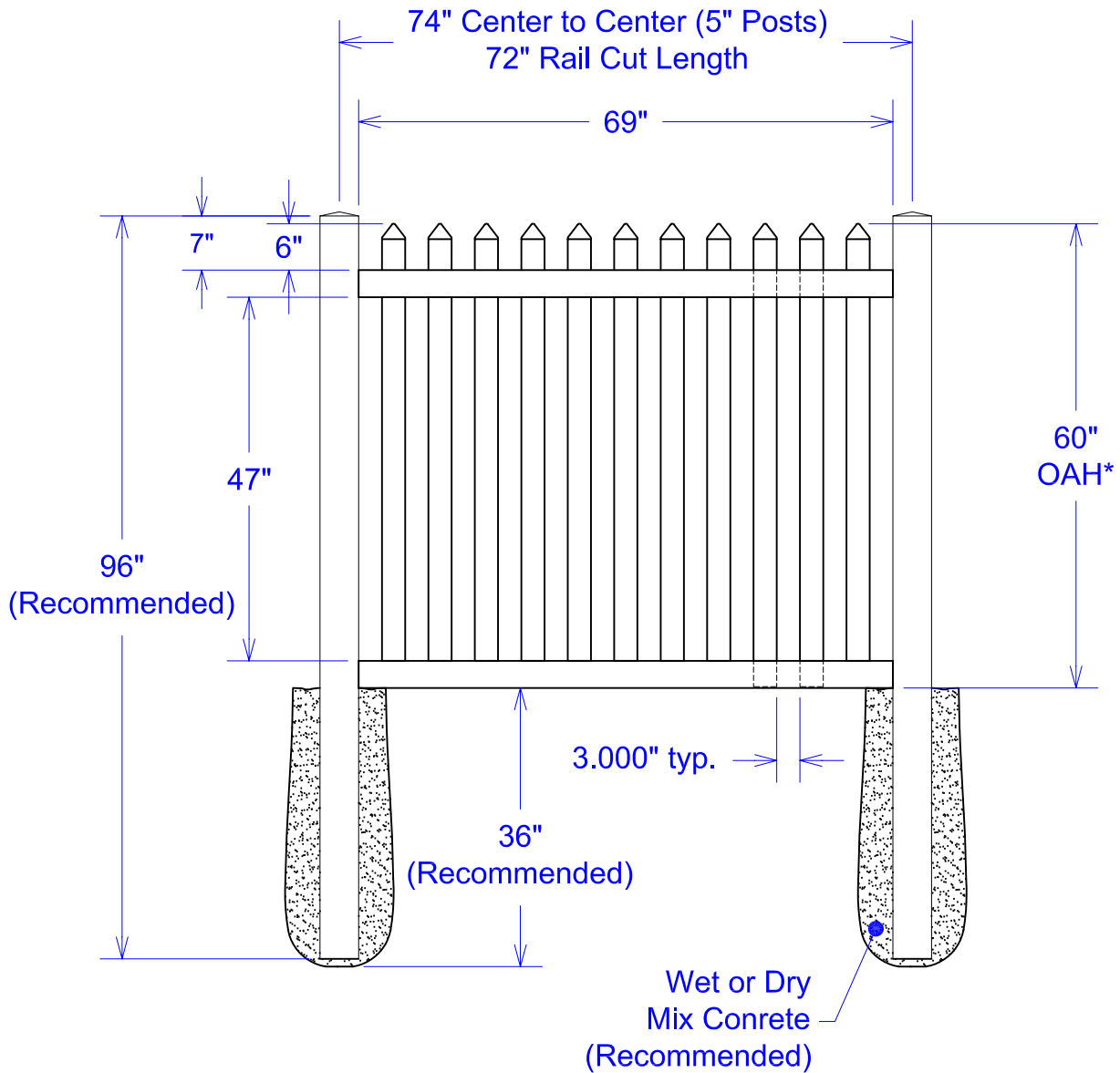


* Note: Dog Ear Caps can be substituted using the same length pickets. The OAH will be one inch shorter.

| Material per 6' section. | | |
|--------------------------|------------|-------------------------|
| Qty | Item | Dimension |
| 2 | Rails | 2" x 3-1/2" x 72" |
| 1 | J-Channel | 1-9/16" x 3-3/16" x 72" |
| 11 | Pickets | 7/8" x 3" x 51-13/16" |
| 11 | Spade Caps | 7/8" x 3" |

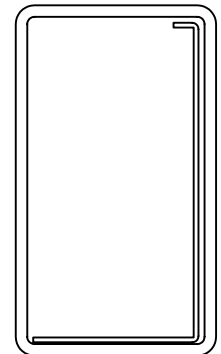


**Bottom Rail
End View**

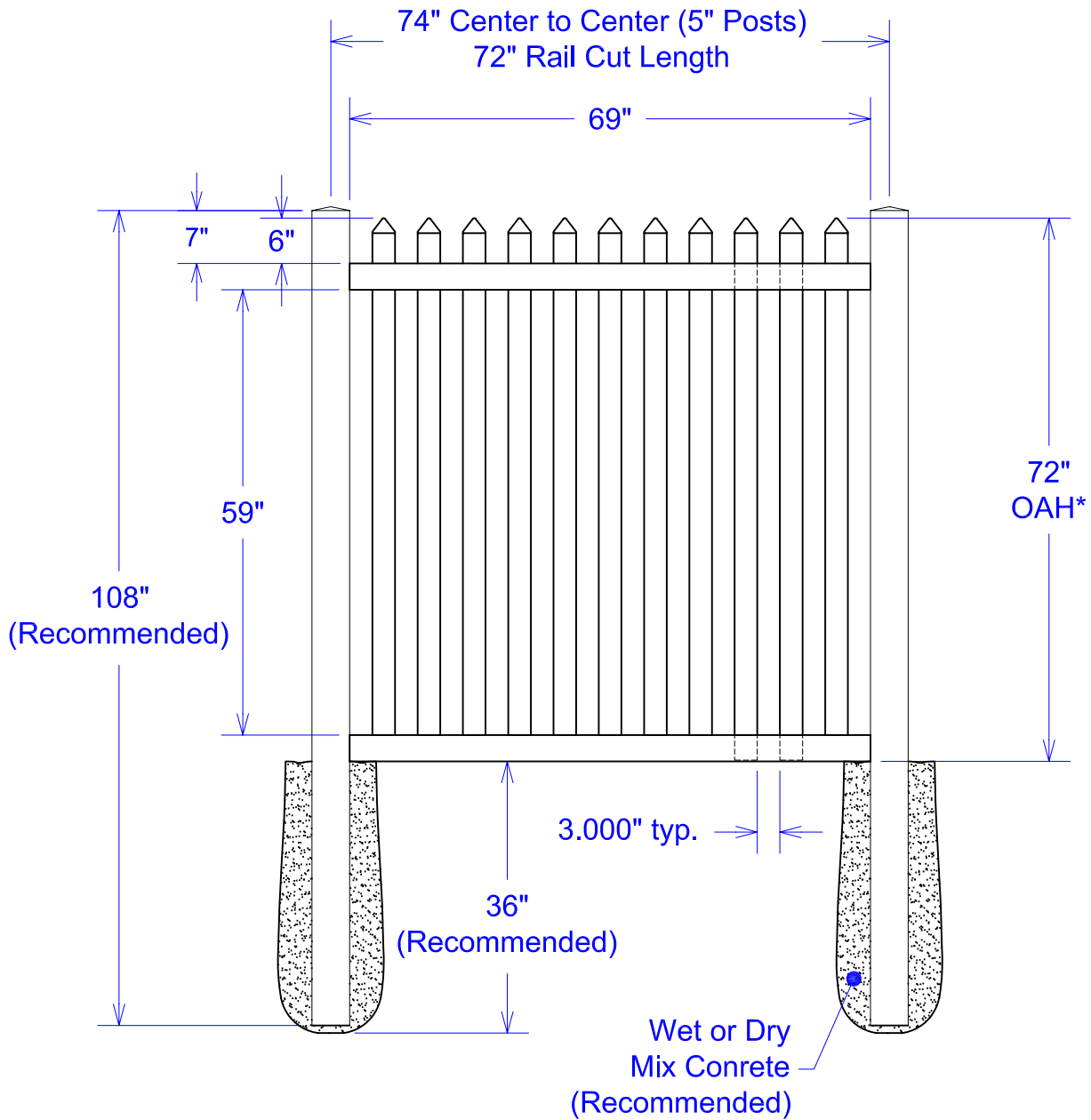


* Note: Dog Ear Caps can be substituted using the same length pickets. The OAH will be one inch shorter.

| Material per 6' section. | | |
|--------------------------|------------|-------------------------|
| Qty | Item | Dimension |
| 2 | Rails | 2" x 3-1/2" x 72" |
| 1 | J-Channel | 1-9/16" x 3-3/16" x 72" |
| 11 | Pickets | 7/8" x 3" x 57-13/16" |
| 11 | Spade Caps | 7/8" x 3" |

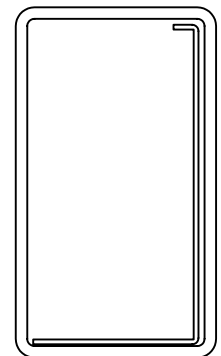


Bottom Rail End View

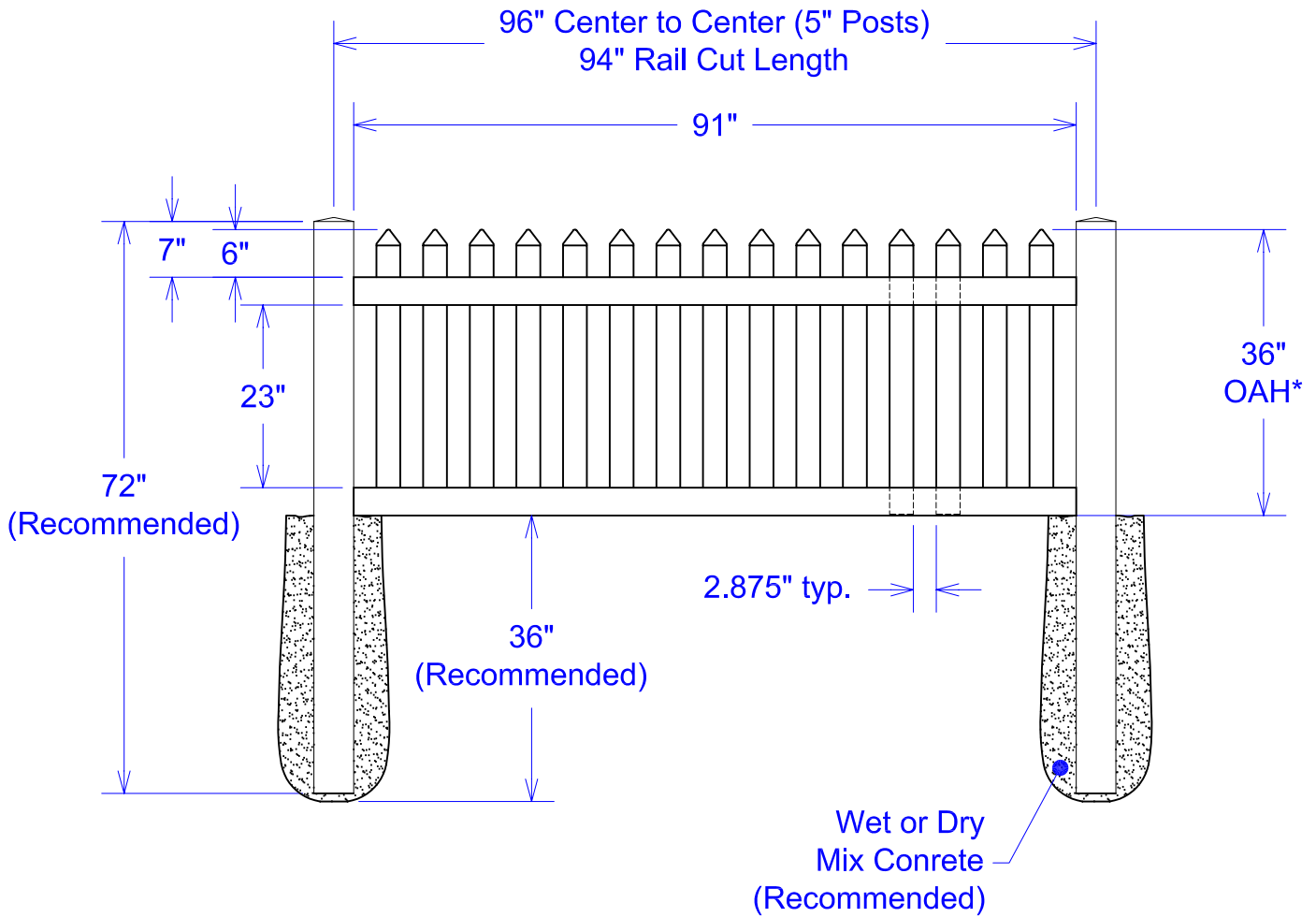


* Note: Dog Ear Caps can be substituted using the same length pickets. The OAH will be one inch shorter.

| Material per 6' section. | | |
|--------------------------|------------|-------------------------|
| Qty | Item | Dimension |
| 2 | Rails | 2" x 3-1/2" x 72" |
| 1 | J-Channel | 1-9/16" x 3-3/16" x 72" |
| 11 | Pickets | 7/8" x 3" x 69-13/16" |
| 11 | Spade Caps | 7/8" x 3" |

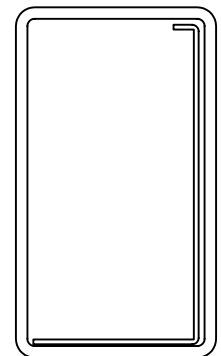


**Bottom Rail
End View**

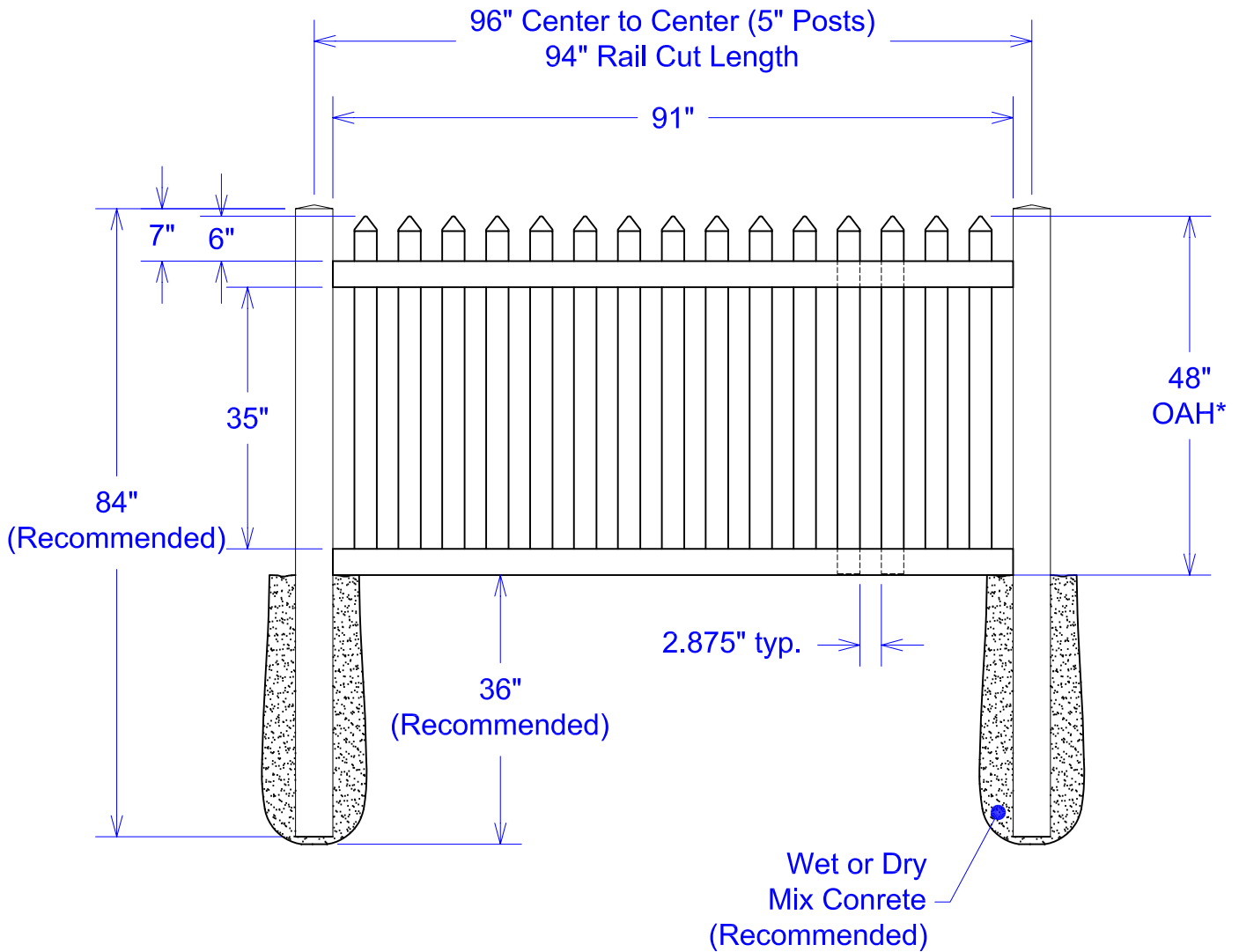


* Note: Dog Ear Caps can be substituted using the same length pickets. The OAH will be one inch shorter.

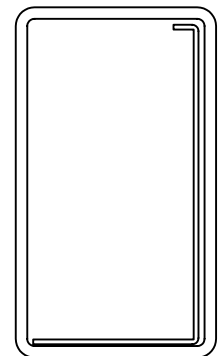
| Material per 8' section. | | |
|--------------------------|------------|-------------------------|
| Qty | Item | Dimension |
| 2 | Rails | 2" x 3-1/2" x 94" |
| 1 | J-Channel | 1-9/16" x 3-3/16" x 94" |
| 15 | Pickets | 7/8" x 3" x 33-13/16" |
| 15 | Spade Caps | 7/8" x 3" |



**Bottom Rail
End View**

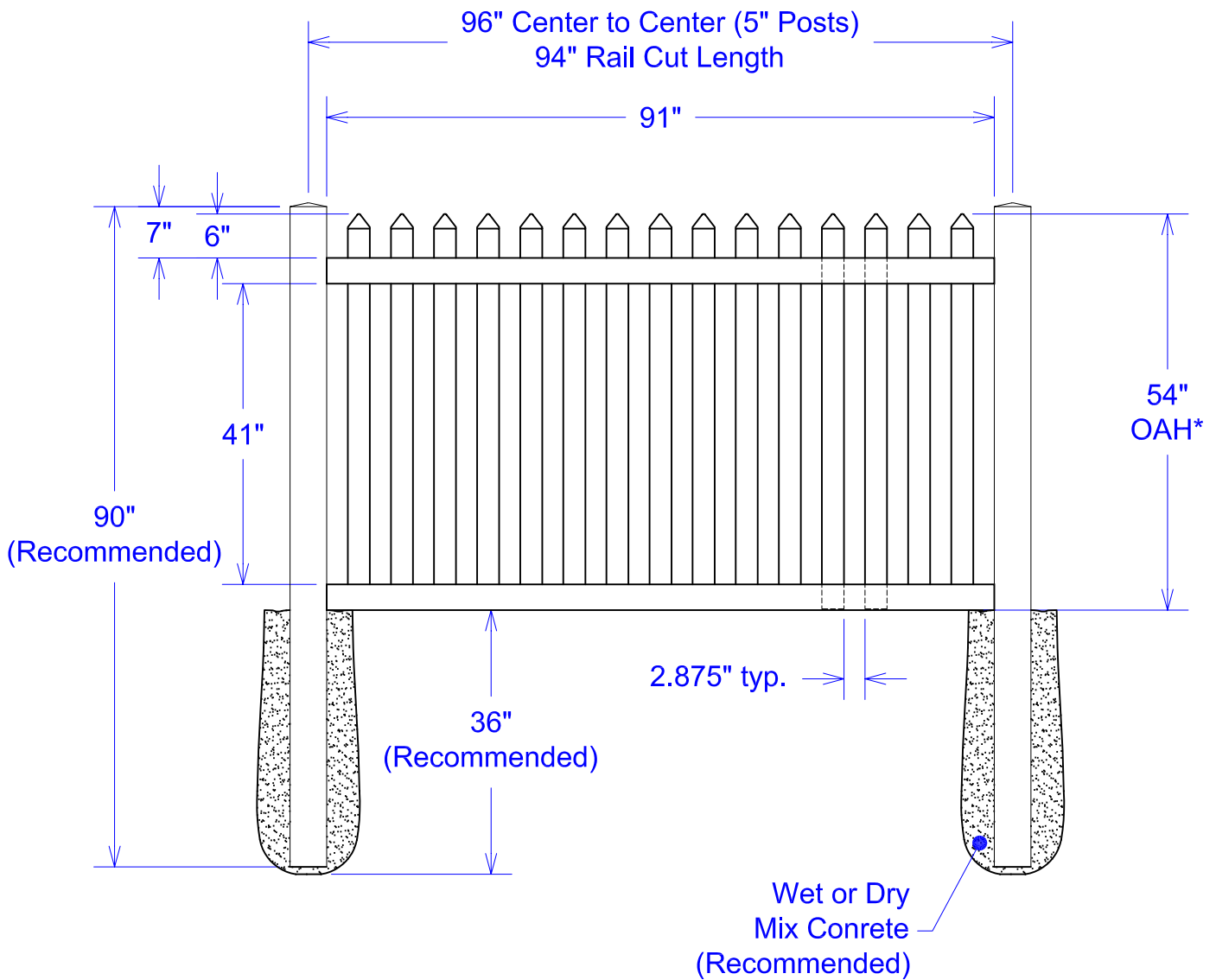


* Note: Dog Ear Caps can be substituted using the same length pickets. The OAH will be one inch shorter.

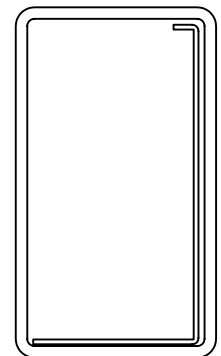


**Bottom Rail
End View**

| Material per 8' section. | | |
|--------------------------|------------|-------------------------|
| Qty | Item | Dimension |
| 2 | Rails | 2" x 3-1/2" x 94" |
| 1 | J-Channel | 1-9/16" x 3-3/16" x 94" |
| 15 | Pickets | 7/8" x 3" x 45-13/16" |
| 15 | Spade Caps | 7/8" x 3" |

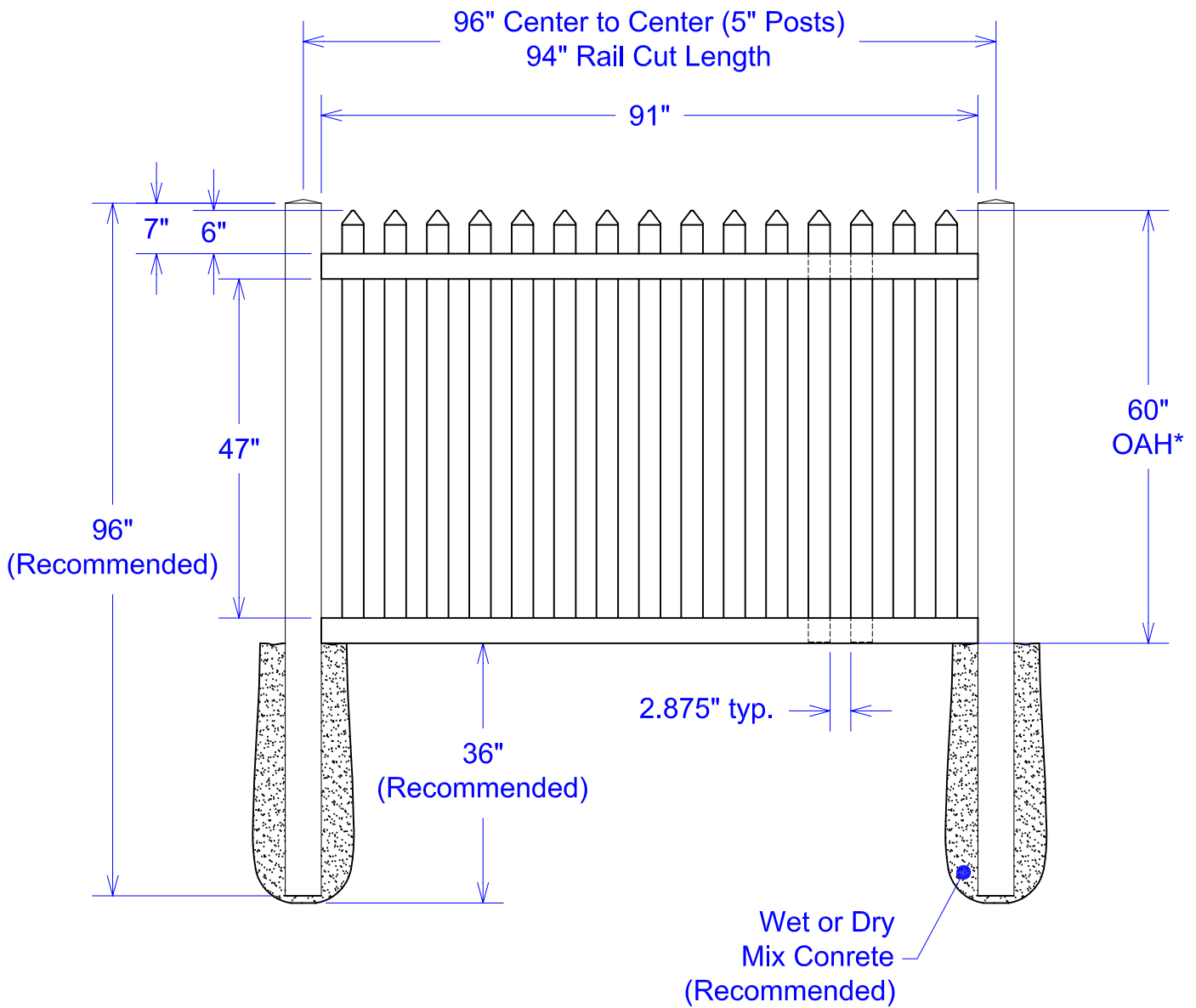


* Note: Dog Ear Caps can be substituted using the same length pickets. The OAH will be one inch shorter.

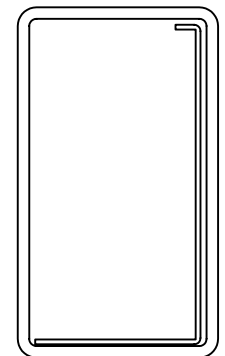


**Bottom Rail
End View**

| Material per 8' section. | | |
|--------------------------|------------|-------------------------|
| Qty | Item | Dimension |
| 2 | Rails | 2" x 3-1/2" x 94" |
| 1 | J-Channel | 1-9/16" x 3-3/16" x 94" |
| 15 | Pickets | 7/8" x 3" x 51-13/16" |
| 15 | Spade Caps | 7/8" x 3" |

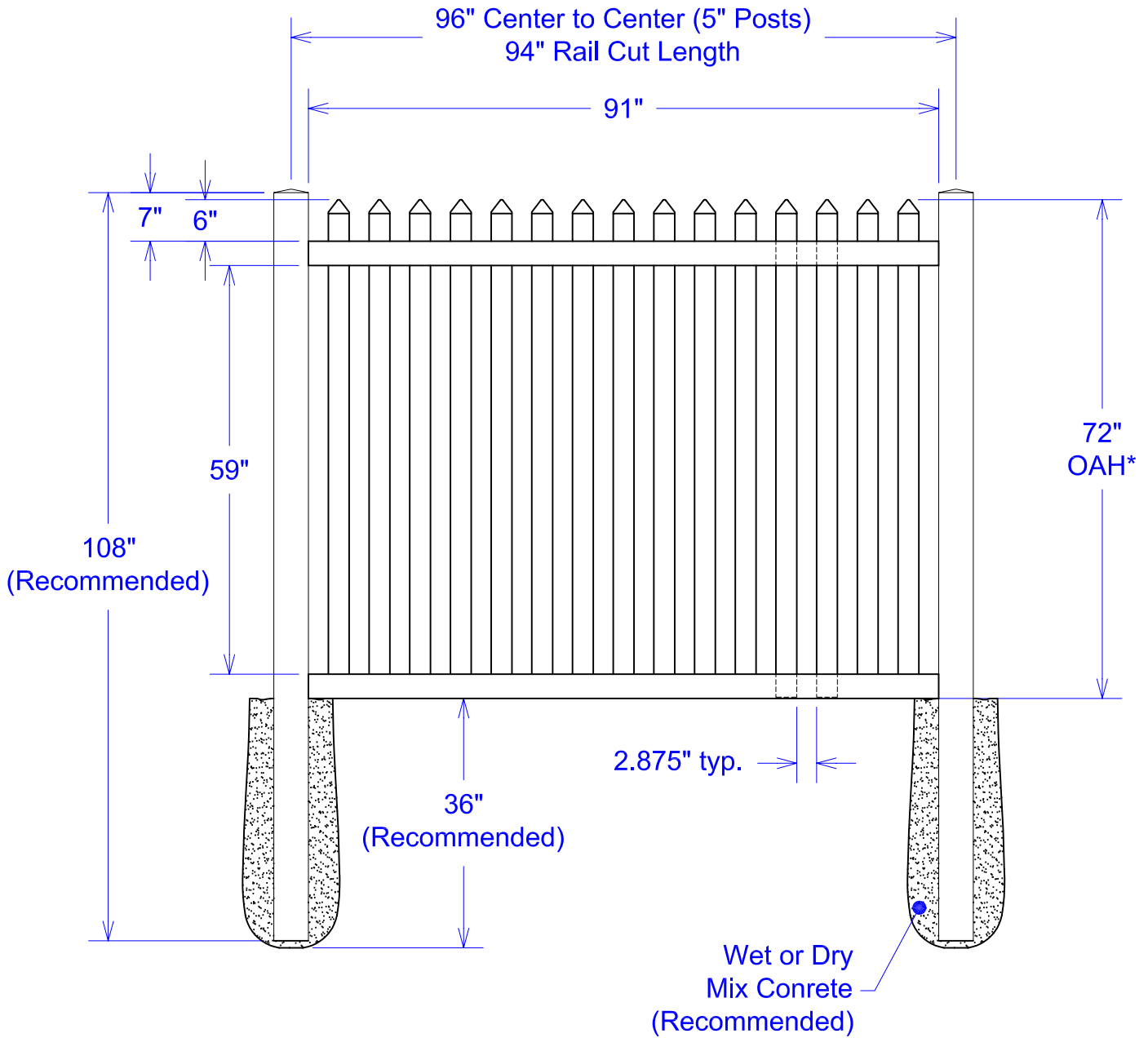


* Note: Dog Ear Caps can be substituted using the same length pickets. The OAH will be one inch shorter.

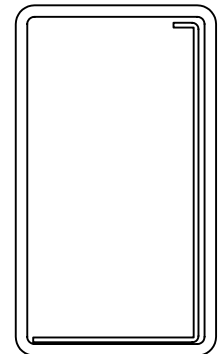


**Bottom Rail
End View**

| Material per 8' section. | | |
|--------------------------|------------|-------------------------|
| Qty | Item | Dimension |
| 2 | Rails | 2" x 3-1/2" x 94" |
| 1 | J-Channel | 1-9/16" x 3-3/16" x 94" |
| 15 | Pickets | 7/8" x 3" x 57-13/16" |
| 15 | Spade Caps | 7/8" x 3" |



* Note: Dog Ear Caps can be substituted using the same length pickets. The OAH will be one inch shorter.



**Bottom Rail
End View**

| Material per 8' section. | | |
|--------------------------|------------|-------------------------|
| Qty | Item | Dimension |
| 2 | Rails | 2" x 3-1/2" x 94" |
| 1 | J-Channel | 1-9/16" x 3-3/16" x 94" |
| 15 | Pickets | 7/8" x 3" x 69-13/16" |
| 15 | Spade Caps | 7/8" x 3" |