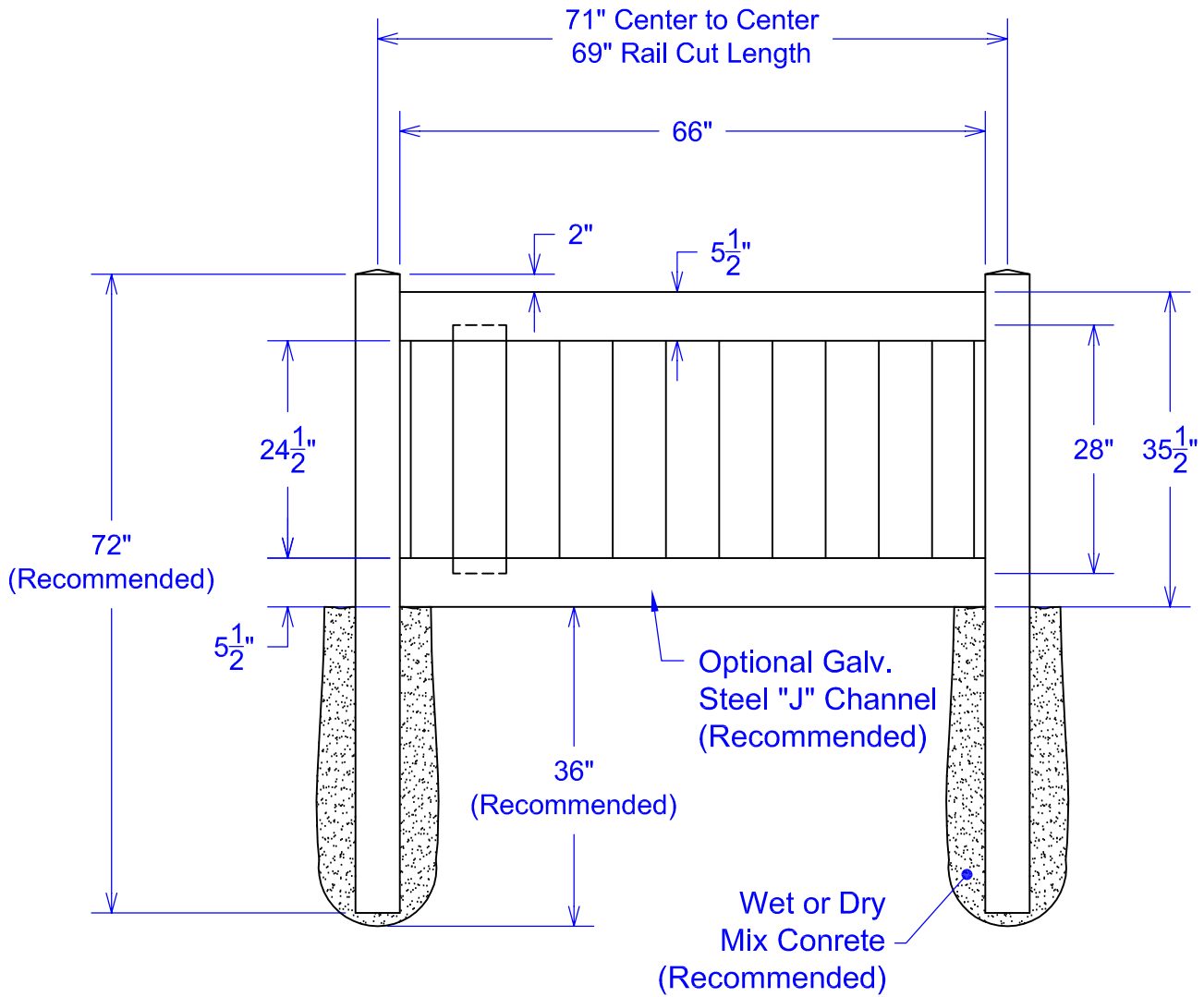


**Bottom Rail
End View
With Option**



| Material per 6' section. | | |
|--------------------------|--------------|-----------------------|
| Qty | Item | Dimension |
| 2 | Rails | 1-1/2" x 5-1/2" x 69" |
| 2 | Side Channel | 1-1/4" x 24-1/2" |
| 11 | Planks | 7/8" x 6" (T&G) x 28" |

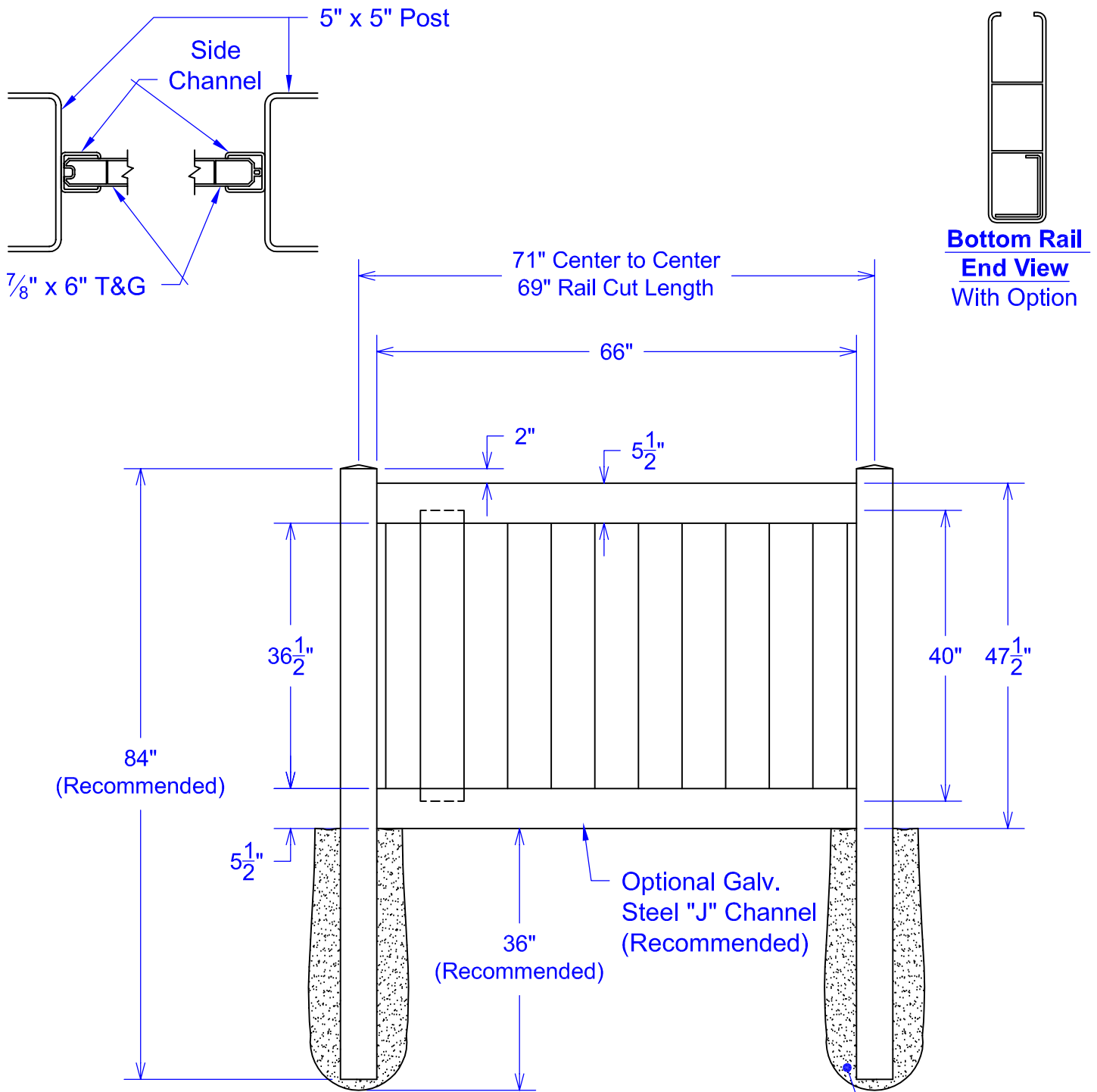


894 Prairie Avenue
Wilmington, Ohio 45177
 Phone: (937) 383-2004 Fax: (937) 383-2022

Drawn By:
A.G.Bailey

T&G Privacy
3' x 6' Section

Scale:
NTS
Date:
4/30/01



Material per 6' section.

| Qty | Item | Dimension |
|-----|--------------|-----------------------|
| 2 | Rails | 1-1/2" x 5-1/2" x 69" |
| 2 | Side Channel | 1-1/4" x 36-1/2" |
| 11 | Planks | 7/8" x 6" (T&G) x 40" |

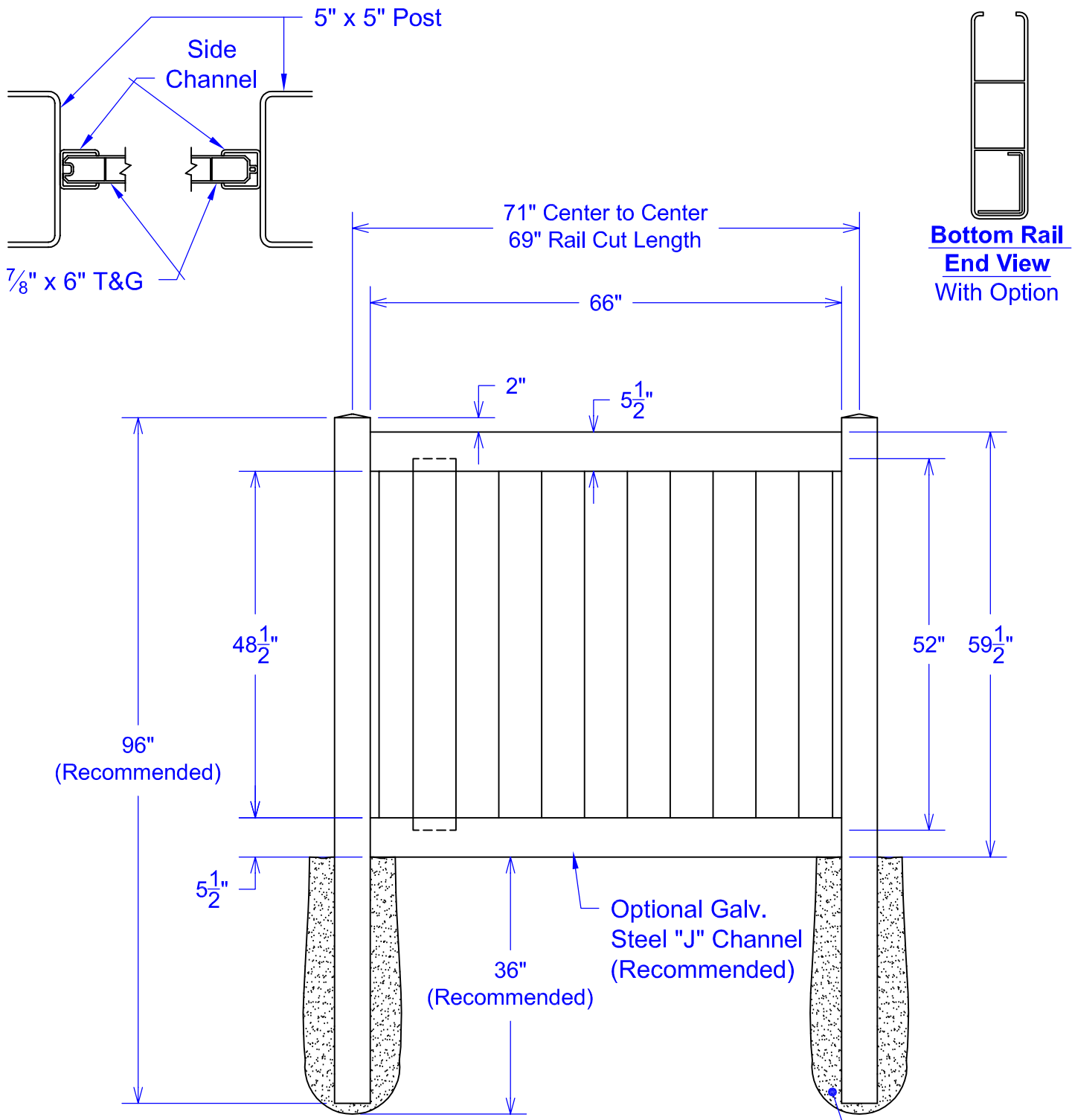


894 Prairie Avenue
Wilmington, Ohio 45177
 Phone: (937) 383-2004 Fax: (937) 383-2022

Drawn By:
A.G. Bailey

T&G Privacy
4' x 6' Section

Scale:
NTS
Date:
4/30/01



**Bottom Rail
End View
With Option**

Wet or Dry
Mix Concrete
(Recommended)

Material per 6' section.

| Qty | Item | Dimension |
|-----|--------------|-----------------------|
| 2 | Rails | 1-1/2" x 5-1/2" x 69" |
| 2 | Side Channel | 1-1/4" x 48-1/2" |
| 11 | Planks | 7/8" x 6" (T&G) x 52" |

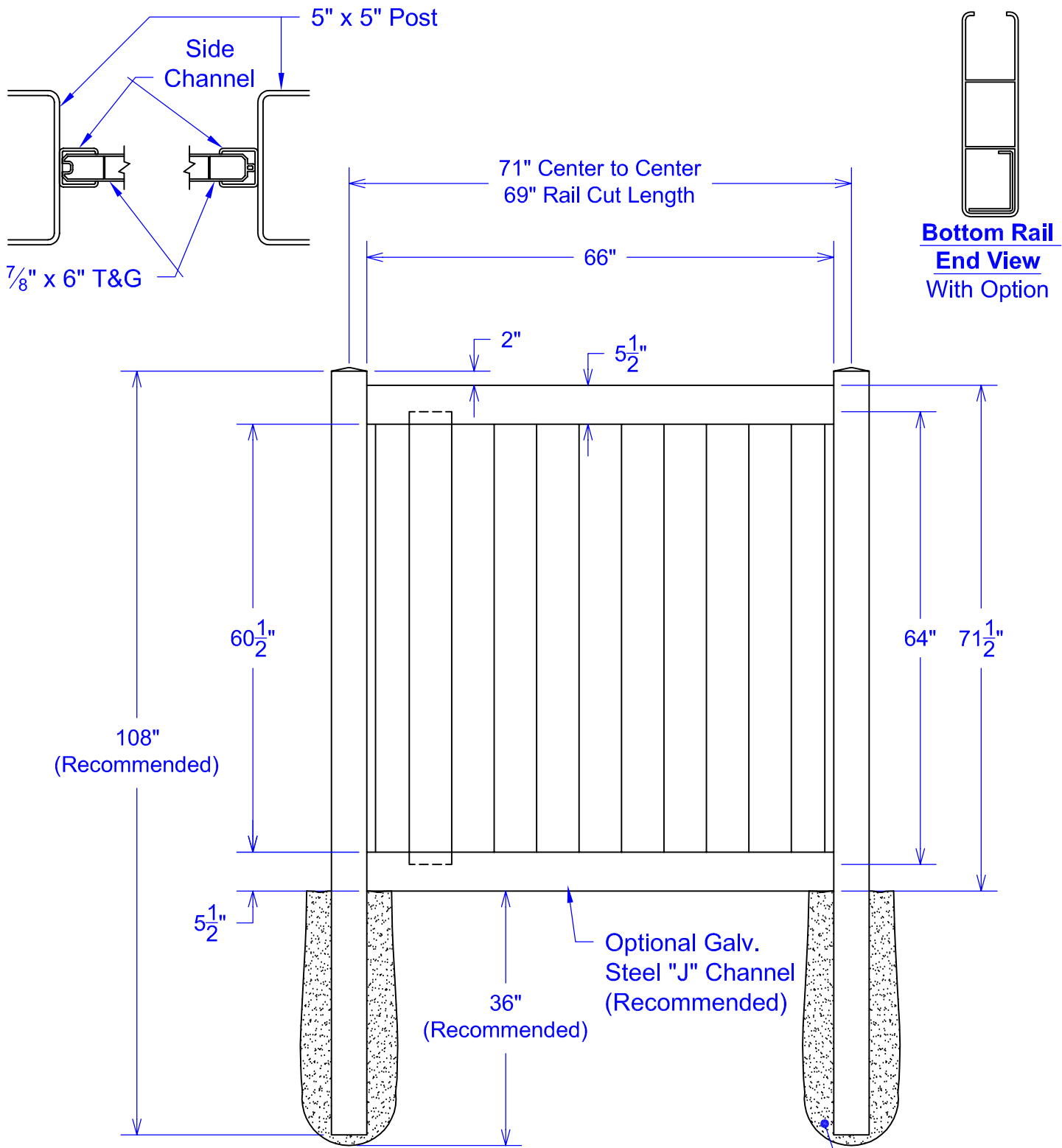


**894 Prairie Avenue
Wilmington, Ohio 45177**
 Phone: (937) 383-2004 Fax: (937) 383-2022

Drawn By:
A.G. Bailey

T&G Privacy
5' x 6' Section

Scale:
NTS
Date:
4/30/01



**Bottom Rail
End View
With Option**

Wet or Dry
Mix Concrete
(Recommended)

| Material per 6' section. | | |
|--------------------------|--------------|-----------------------|
| Qty | Item | Dimension |
| 2 | Rails | 1-1/2" x 5-1/2" x 69" |
| 2 | Side Channel | 1-1/4" x 60-1/2" |
| 11 | Planks | 7/8" x 6" (T&G) x 64" |

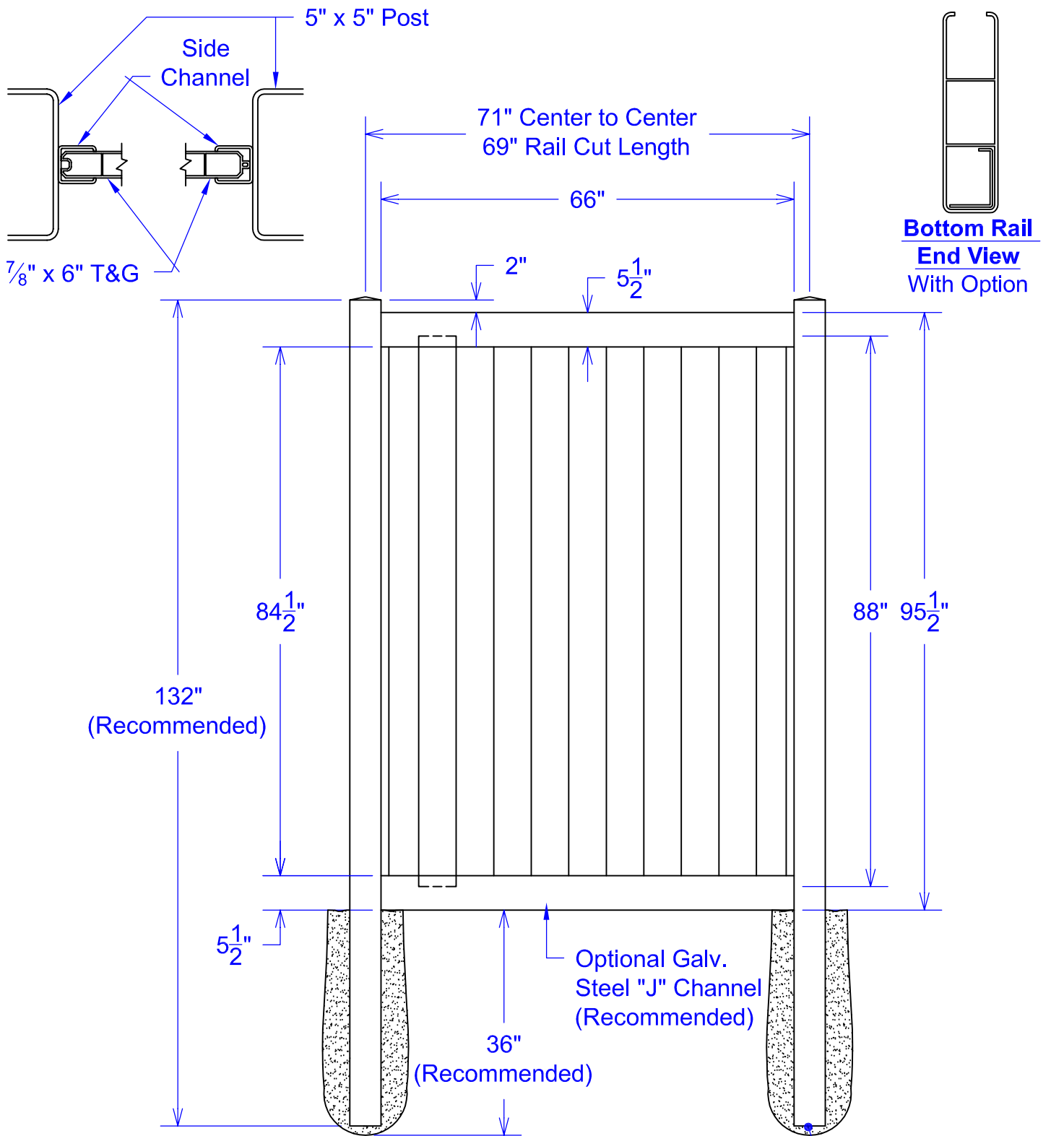


**894 Prairie Avenue
Wilmington, Ohio 45177**
 Phone: (937) 383-2004 Fax: (937) 383-2022

Drawn By:
A.G. Bailey

T&G Privacy
6' x 6' Section

Scale:
NTS
Date:
4/30/01



**Bottom Rail
End View
With Option**

132"
(Recommended)

Optional Galv.
Steel "J" Channel
(Recommended)

Wet or Dry
Mix Concrete
(Recommended)

Material per 6' section.

| Qty | Item | Dimension |
|-----|--------------|-----------------------|
| 2 | Rails | 1-1/2" x 5-1/2" x 69" |
| 2 | Side Channel | 1-1/4" x 84-1/2" |
| 11 | Planks | 7/8" x 6" (T&G) x 88" |

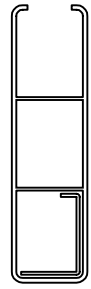
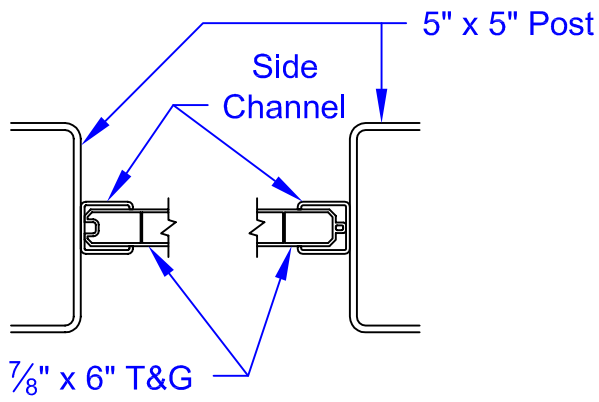


**894 Prairie Avenue
Wilmington, Ohio 45177**
Phone: (937) 383-2004 Fax: (937) 383-2022

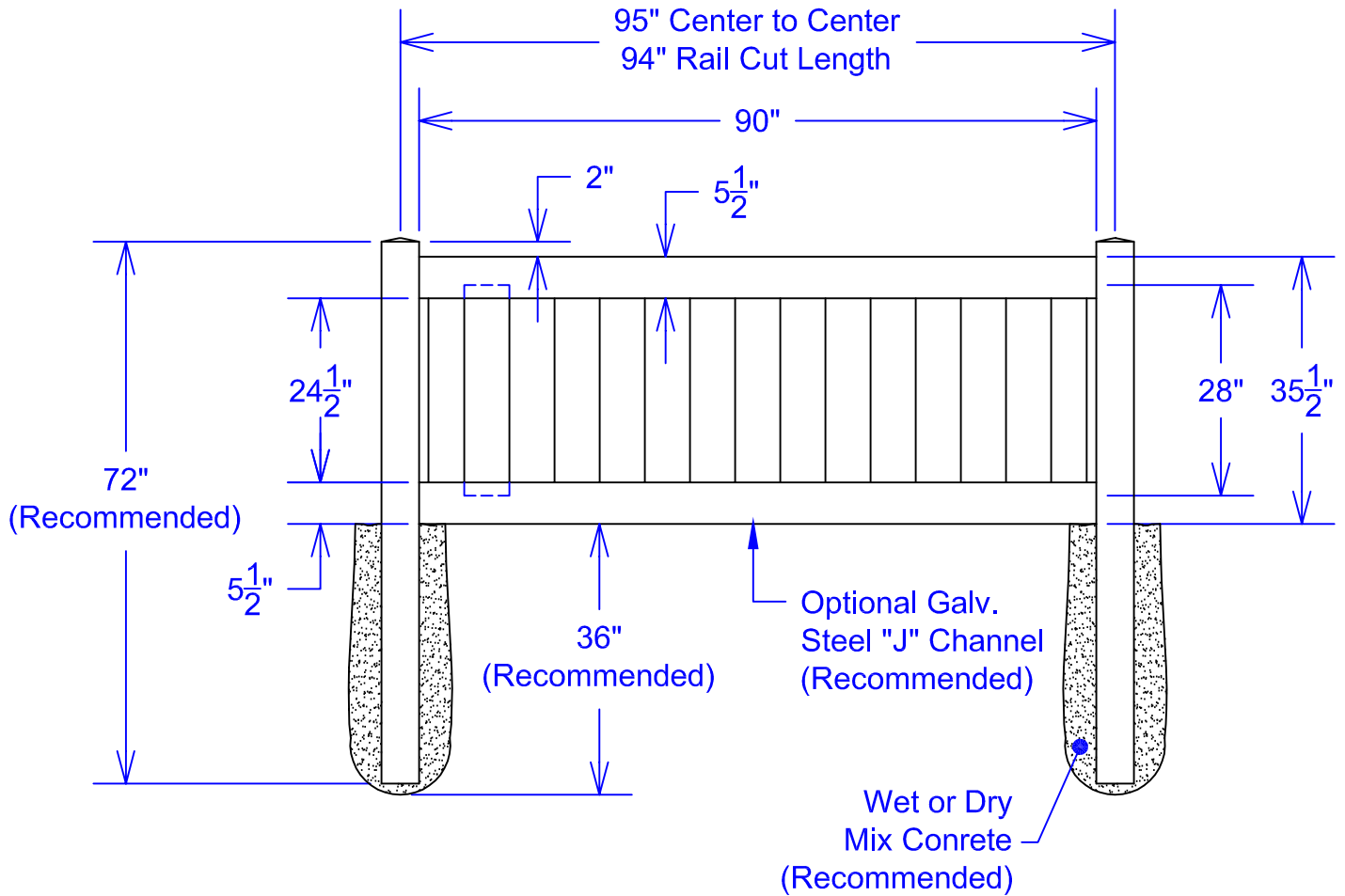
Drawn By:
A.G. Bailey

T&G Privacy
8' x 6' Section

Scale:
NTS
Date:
4/30/01



**Bottom Rail
End View
With Option**



| Material per 8' section. | | |
|--------------------------|--------------|-----------------------|
| Qty | Item | Dimension |
| 2 | Rails | 1-1/2" x 5-1/2" x 94" |
| 2 | Side Channel | 1-1/4" x 24-1/2" |
| 15 | Planks | 7/8" x 6" (T&G) x 28" |



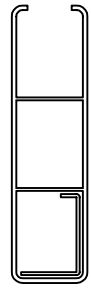
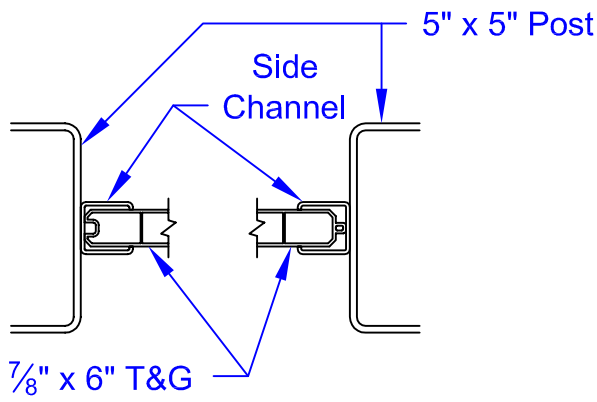
894 Prairie Avenue
Wilmington, Ohio 45177

Phone: (937) 383-2004 Fax: (937) 383-2022

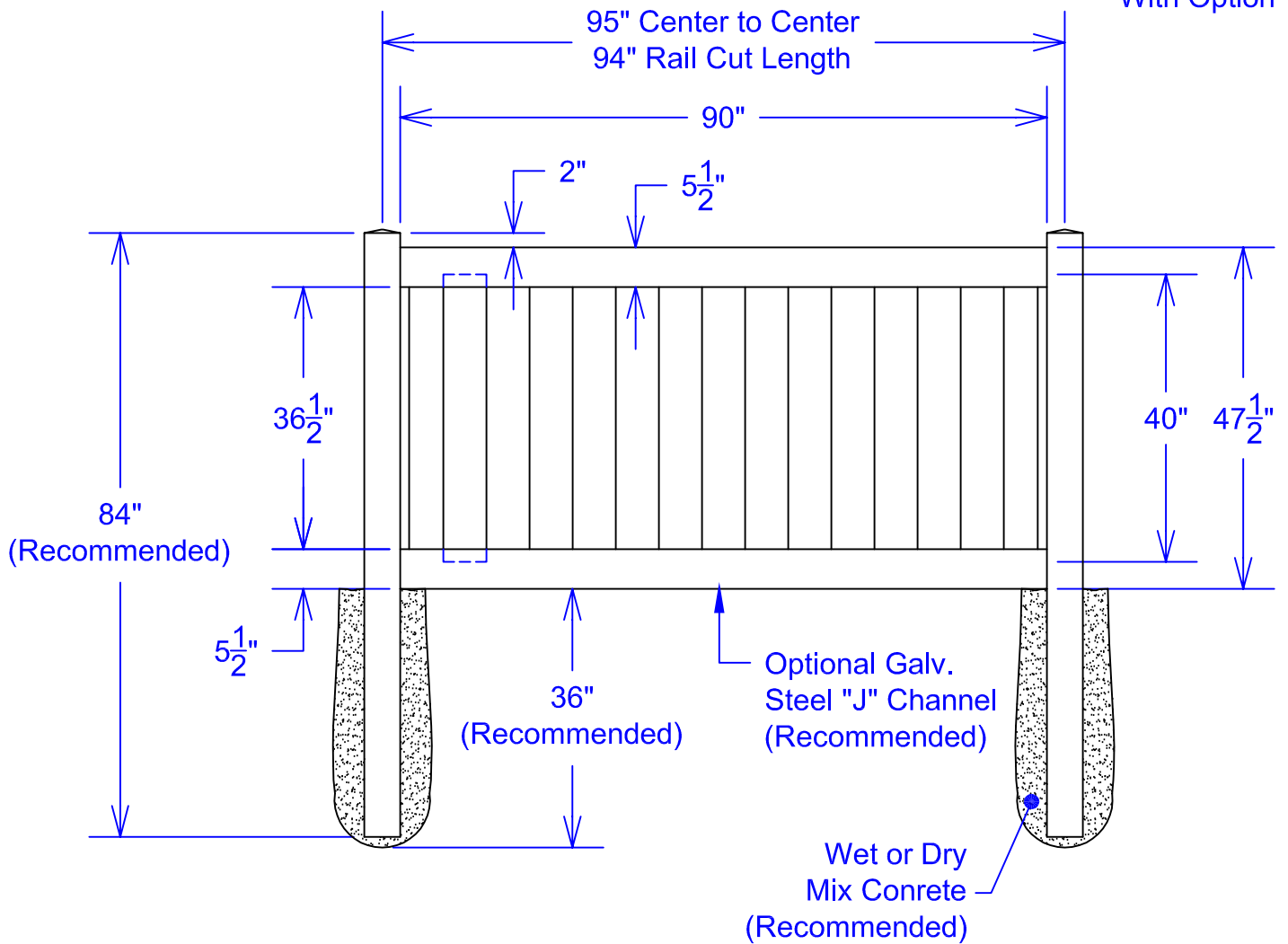
Drawn By:
A.G.Bailey

T&G Privacy
3' x 8' Section

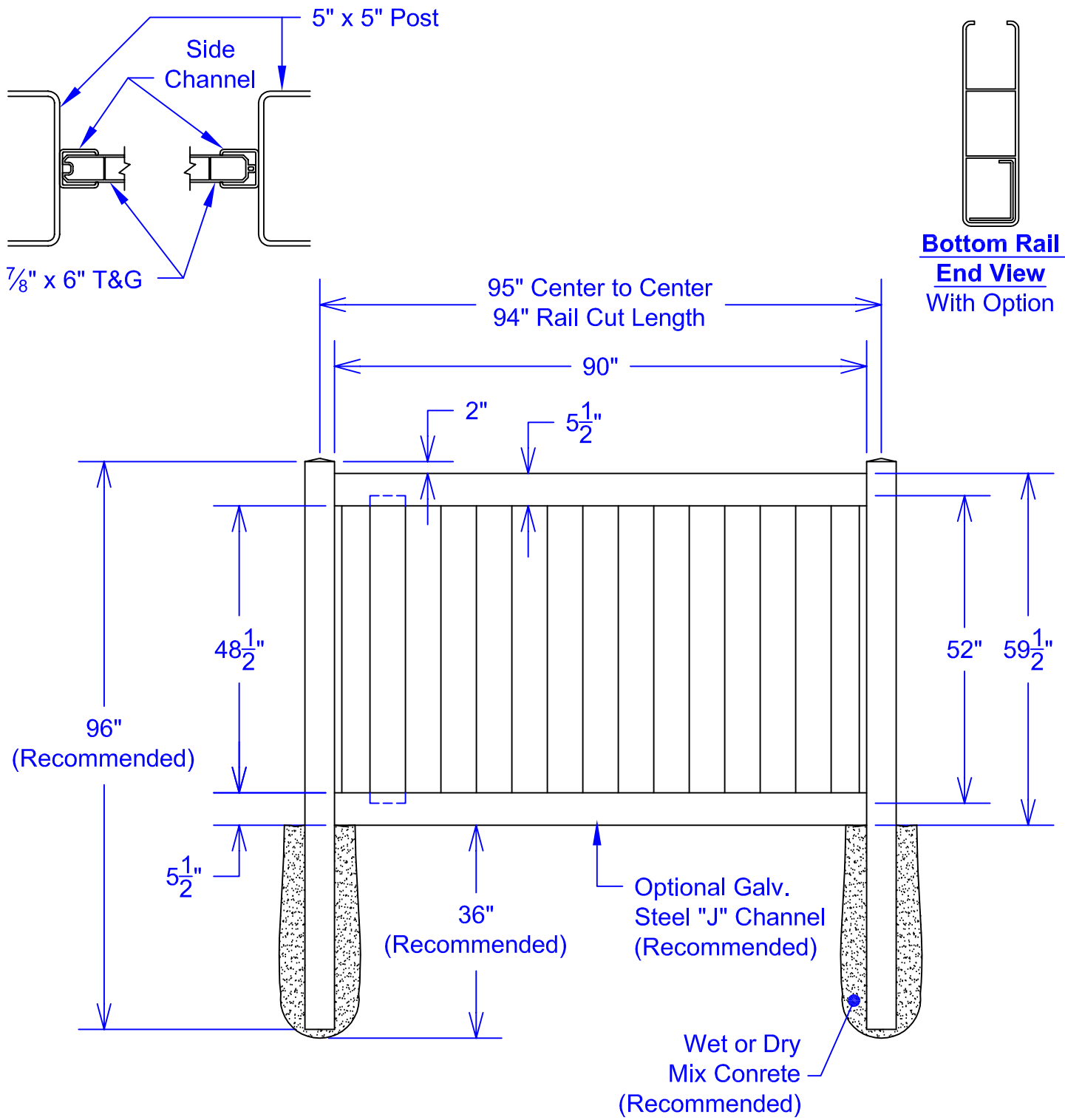
Scale:
NTS
Date:
4/30/01



**Bottom Rail
End View
With Option**



| Material per 8' section. | | |
|--------------------------|--------------|-----------------------|
| Qty | Item | Dimension |
| 2 | Rails | 1-1/2" x 5-1/2" x 94" |
| 2 | Side Channel | 1-1/4" x 36-1/2" |
| 15 | Planks | 7/8" x 6" (T&G) x 40" |



| Material per 8' section. | | |
|--------------------------|--------------|-----------------------|
| Qty | Item | Dimension |
| 2 | Rails | 1-1/2" x 5-1/2" x 94" |
| 2 | Side Channel | 1-1/4" x 48-1/2" |
| 15 | Planks | 7/8" x 6" (T&G) x 52" |

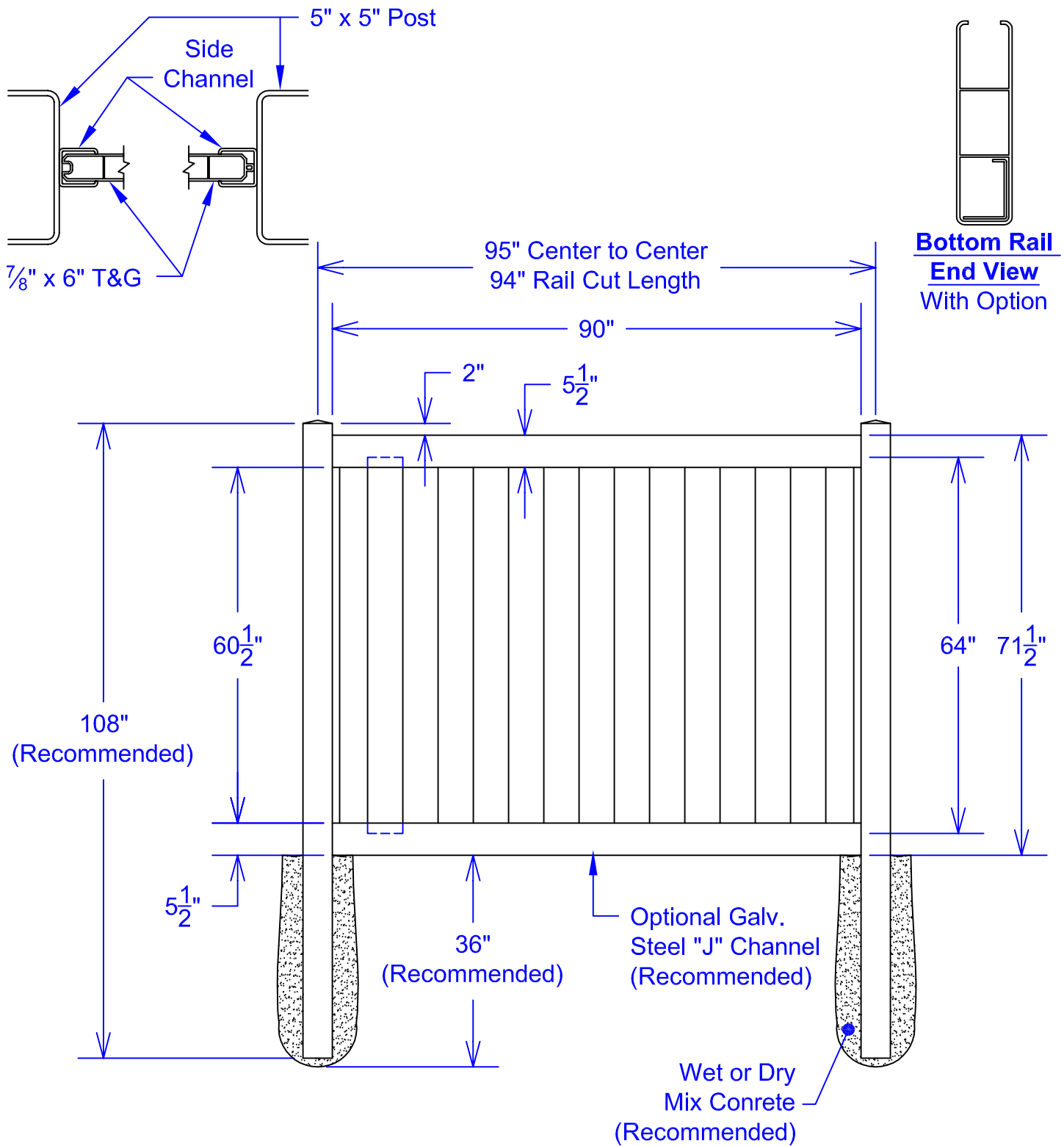


894 Prairie Avenue
 Wilmington, Ohio 45177
 Phone: (937) 383-2004 Fax: (937) 383-2022

Drawn By:
A.G.Bailey

T&G Privacy
5' x 8' Section

Scale:
NTS
Date:
4/30/01



| Material per 8' section. | | |
|--------------------------|--------------|-----------------------|
| Qty | Item | Dimension |
| 2 | Rails | 1-1/2" x 5-1/2" x 94" |
| 2 | Side Channel | 1-1/4" x 60-1/2" |
| 15 | Planks | 7/8" x 6" (T&G) x 64" |