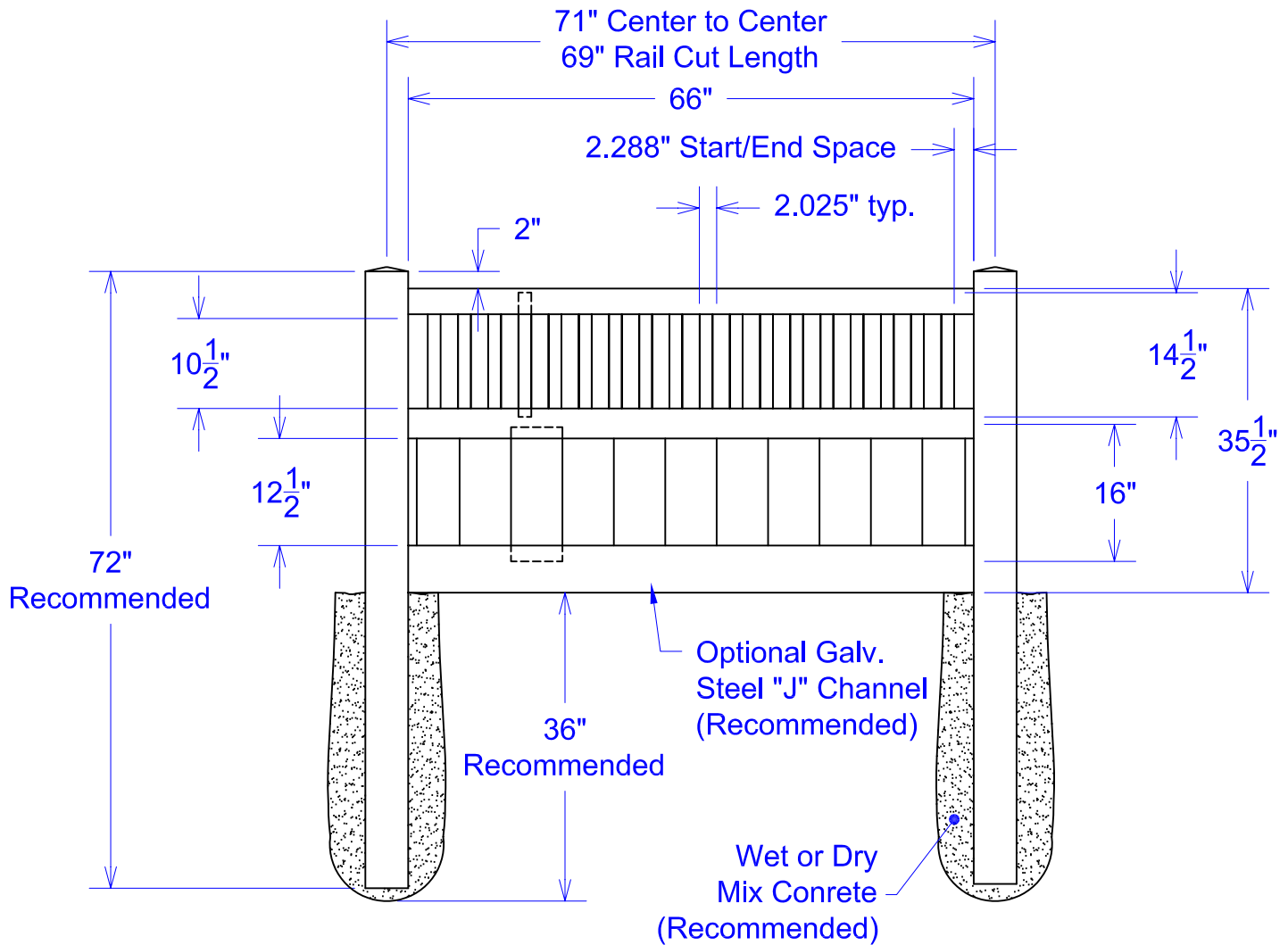


**Bottom Rail
End View
With Option**



Material per 6' section.

Qty	Item	Dimension
2	Rails	2" x 3-1/2" x 69"
1	Rail	1-1/2" x 5-1/2" x 69"
11	Planks	7/8" x 6" (T&G) x 16"

Qty	Item	Dimension
18	Spindles	1-1/2" x 1-1/2" x 14-1/2"
1	Spacer	7/8" x 1-1/2" x 69"
2	Side Channel	1-1/4" x 1-1/4" x 12-1/2"

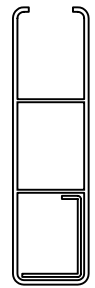
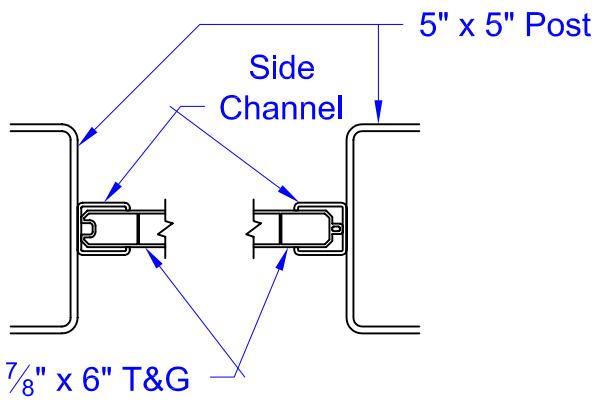


**894 Prairie Avenue
Wilmington, Ohio 45177**
 Phone: (937) 383-2004 Fax: (937) 383-2022

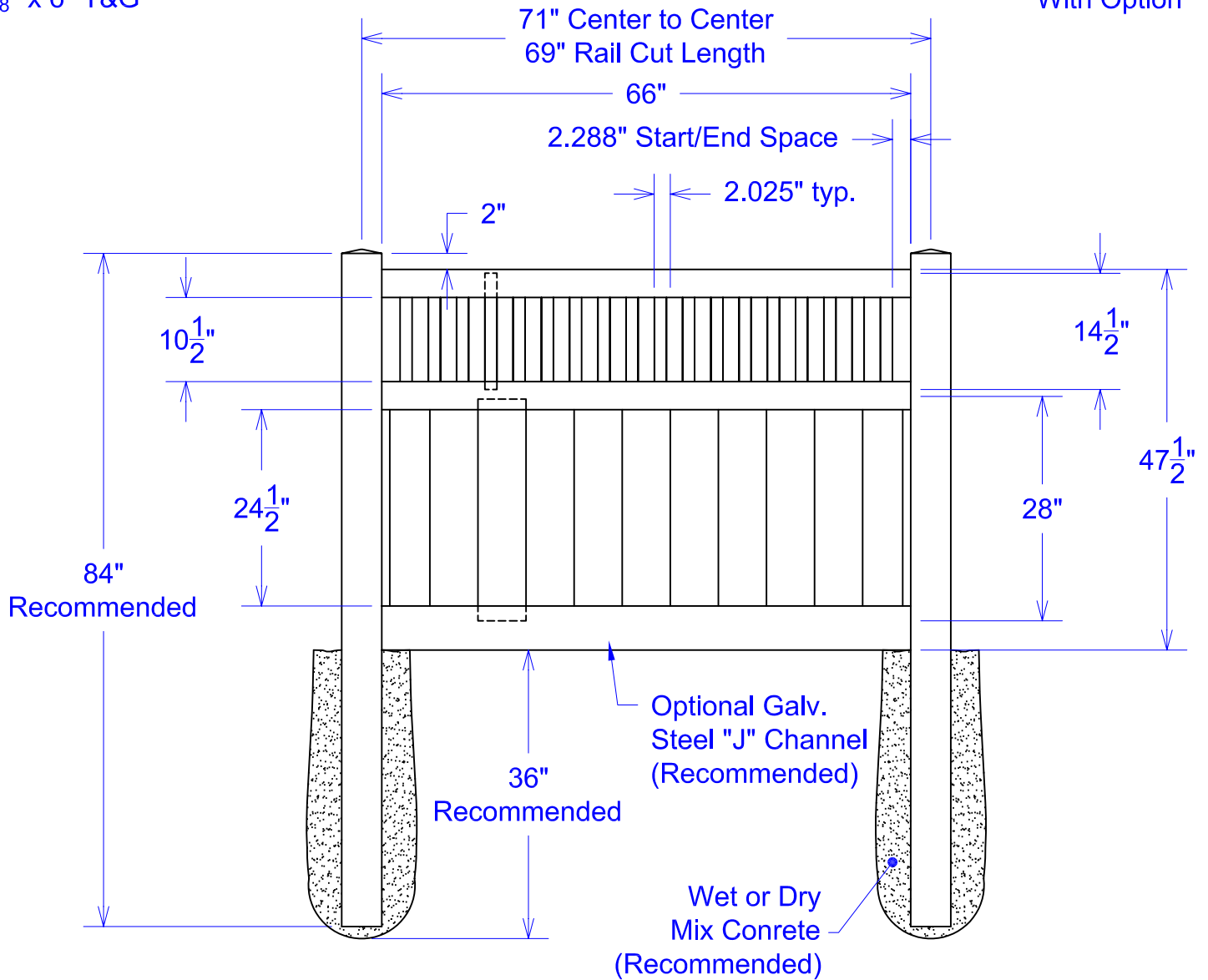
Drawn By:
A.G. Bailey

T&G Privacy with
Closed Spindle
3' x 6' Section

Scale:
NTS
Date:
10/19/01



**Bottom Rail
End View
With Option**



Material per 6' section.

Qty	Item	Dimension
2	Rails	2" x 3-1/2" x 69"
1	Rail	1-1/2" x 5-1/2" x 69"
11	Planks	7/8" x 6" (T&G) x 28"

Qty	Item	Dimension
18	Spindles	1-1/2" x 1-1/2" x 14-1/2"
1	Spacer	7/8" x 1-1/2" x 69"
2	Side Channel	1-1/4" x 1-1/4" x 24-1/2"



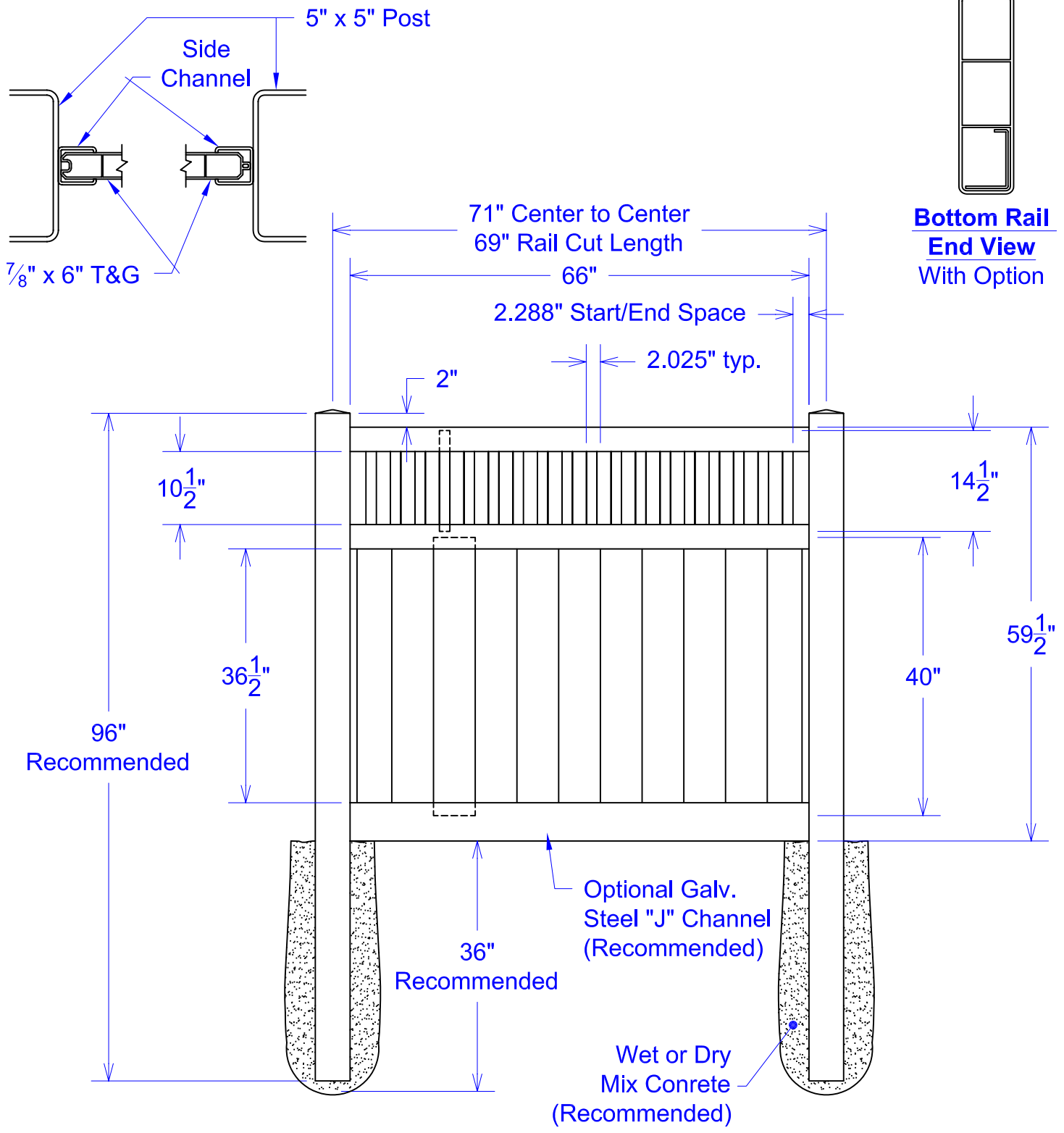
894 Prairie Avenue
Wilmington, Ohio 45177

Phone: (937) 383-2004 Fax: (937) 383-2022

Drawn By:
A.G. Bailey

T&G Privacy with
Closed Spindle
4' x 6' Section

Scale:
NTS
Date:
10/19/01



Material per 6' section.

Qty	Item	Dimension
2	Rails	2" x 3-1/2" x 69"
1	Rail	1-1/2" x 5-1/2" x 69"
11	Planks	7/8" x 6" (T&G) x 40"

Qty	Item	Dimension
18	Spindles	1-1/2" x 1-1/2" x 14-1/2"
1	Spacer	7/8" x 1-1/2" x 69"
2	Side Channel	1-1/4" x 1-1/4" x 36-1/2"

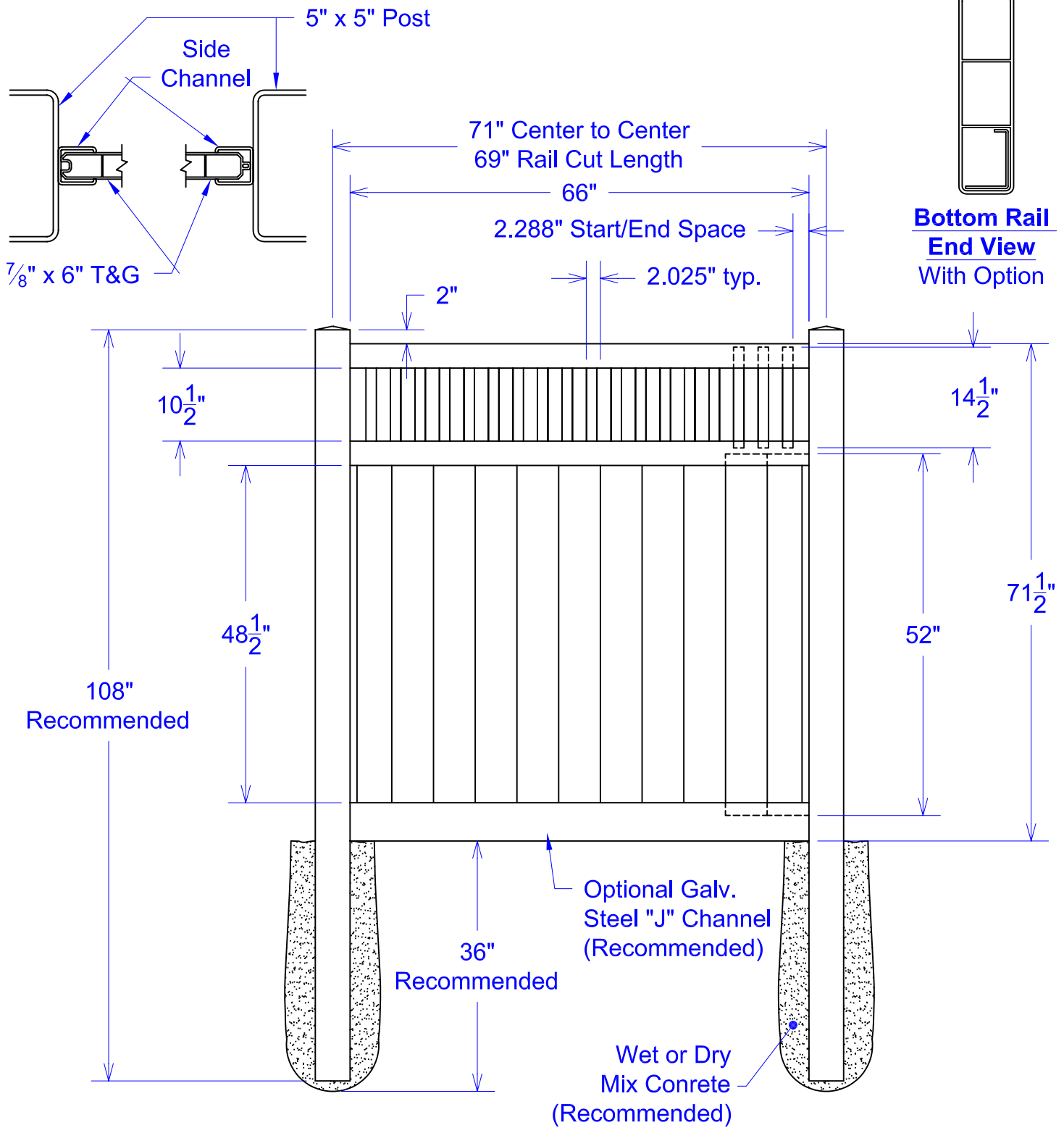


894 Prairie Avenue
 Wilmington, Ohio 45177
 Phone: (937) 383-2004 Fax: (937) 383-2022

Drawn By:
 A.G. Bailey

T&G Privacy
 with Closed Spindle
 5' x 6' Section

Scale:
 NTS
 Date:
 10/19/01



Material per 6' section.

Qty	Item	Dimension
2	Rails	2" x 3-1/2" x 69"
1	Rail	1-1/2" x 5-1/2" x 69"
11	Planks	7/8" x 6" (T&G) x 52"

Qty	Item	Dimension
18	Spindles	1-1/2" x 1-1/2" x 14-1/2"
1	Spacer	7/8" x 1-1/2" x 69"
2	Side Channel	1-1/4" x 1-1/4" x 48-1/2"

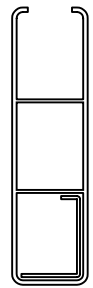
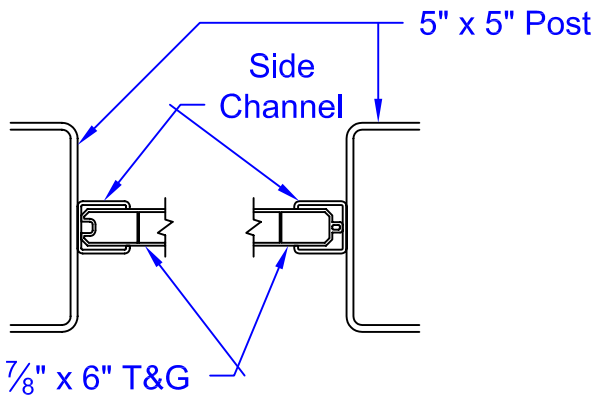


894 Prairie Avenue
 Wilmington, Ohio 45177
 Phone: (937) 383-2004 Fax: (937) 383-2022

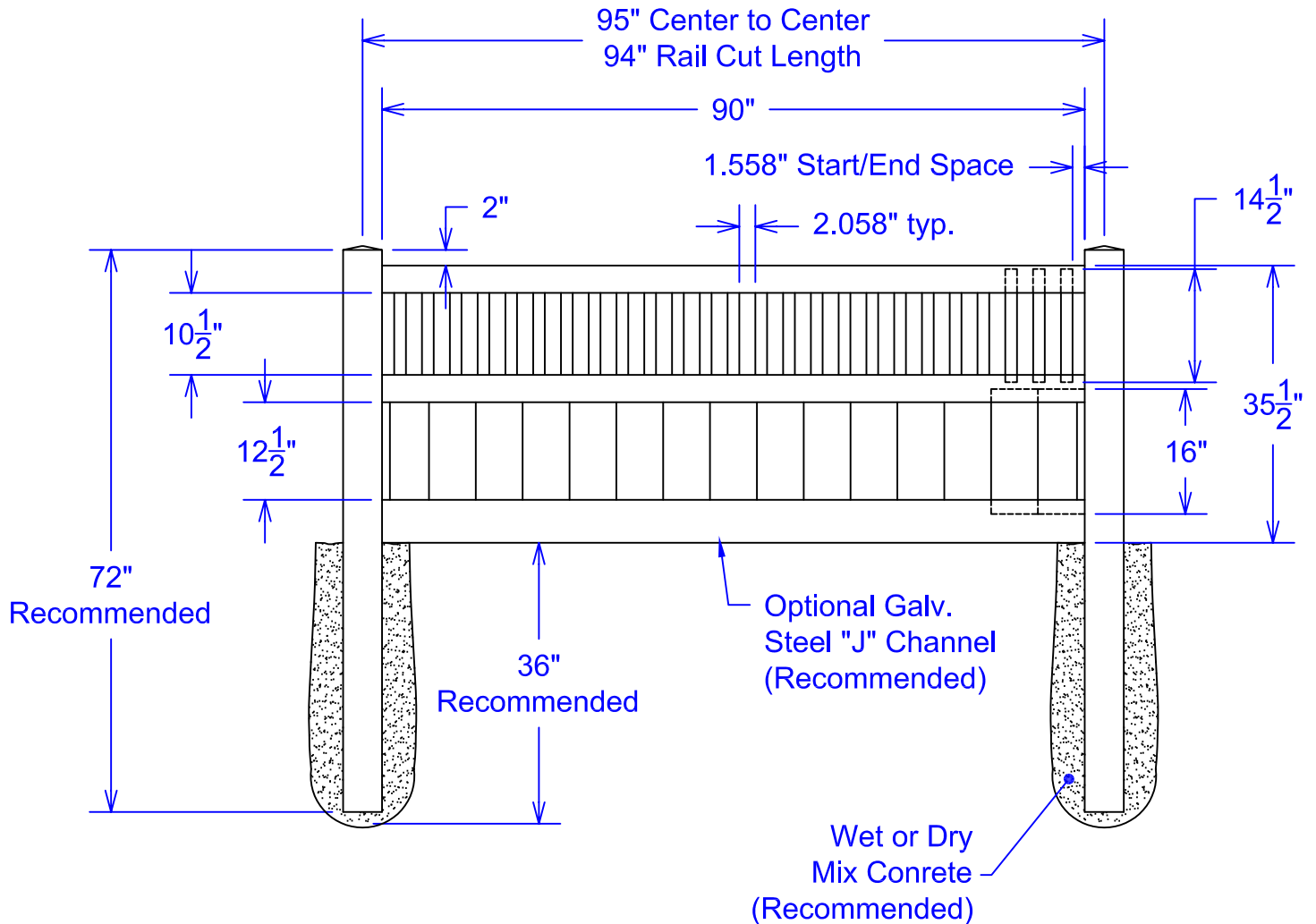
Drawn By:
 A.G. Bailey

T&G Privacy with
 Closed Spindle
 6' x 6' Section

Scale:
 NTS
 Date:
 10/19/01



**Bottom Rail
End View
With Option**



Material per 8' section.

Qty	Item	Dimension
2	Rails	2" x 3-1/2" x 94"
1	Rail	1-1/2" x 5-1/2" x 94"
15	Planks	7/8" x 6" (T&G) x 16"

Qty	Item	Dimension
25	Spindles	1-1/2" x 1-1/2" x 14-1/2"
1	Spacer	7/8" x 1-1/2" x 93"
2	Side Channel	1-1/4" x 1-1/4" x 12-1/2"

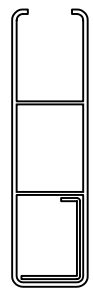
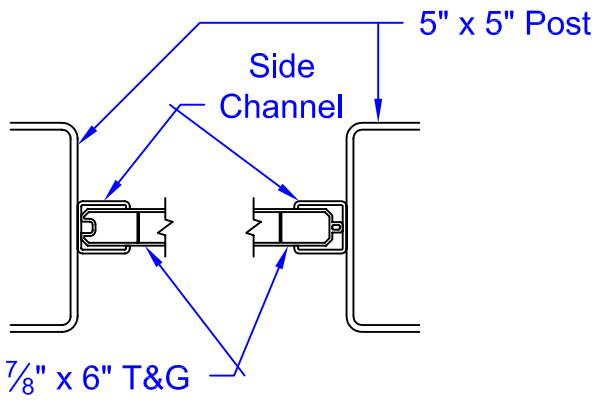


894 Prairie Avenue
Wilmington, Ohio 45177
Phone: (937) 383-2004 Fax: (937) 383-2022

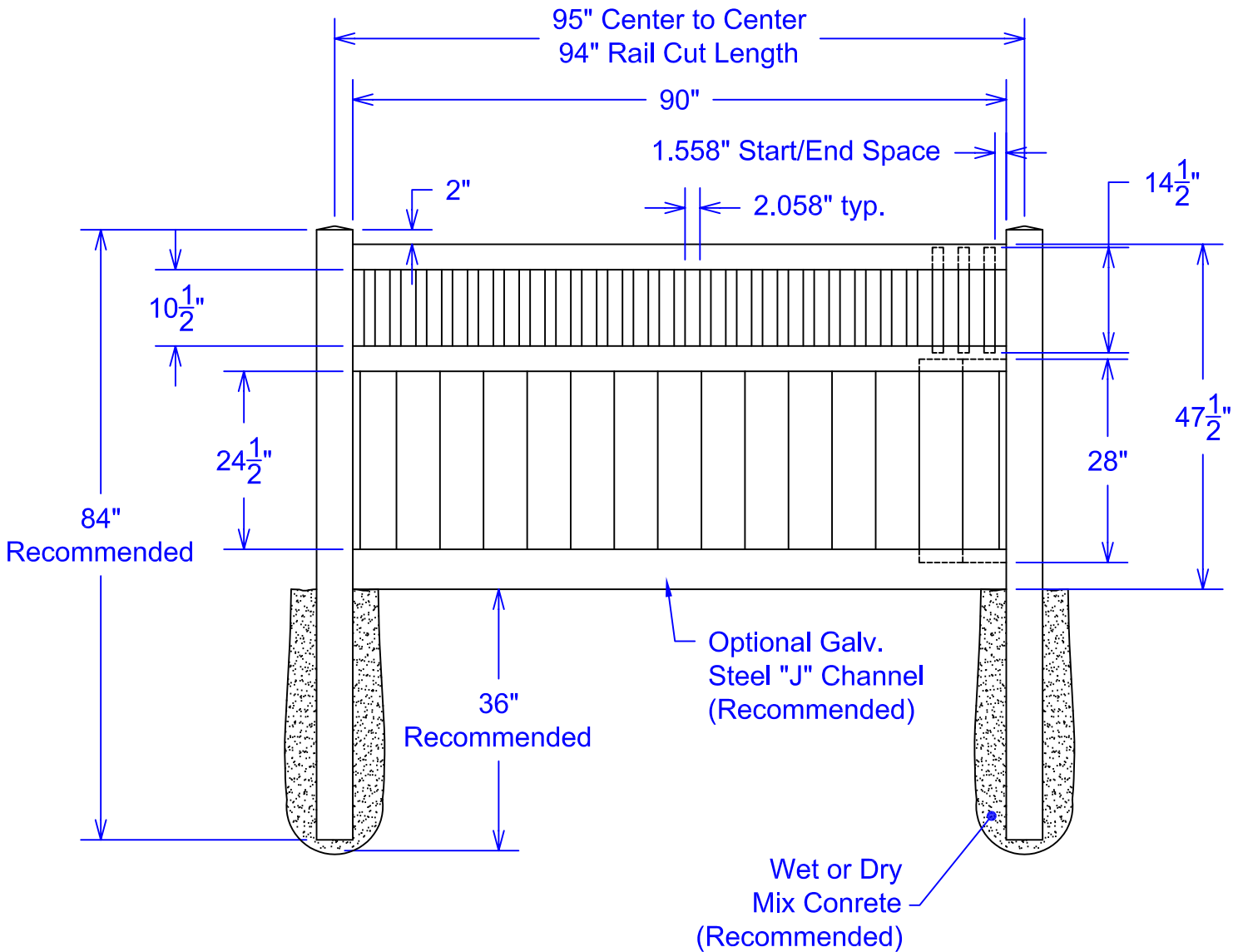
Drawn By:
A.G. Bailey

T&G Privacy with
Closed Spindle
3' x 8' section

Scale:
NTS
Date:
10/19/01



**Bottom Rail
End View
With Option**



Material per 8' section.

Qty	Item	Dimension
2	Rails	2" x 3-1/2" x 94"
1	Rail	1-1/2" x 5-1/2" x 94"
15	Planks	7/8" x 6" (T&G) x 28"

Qty	Item	Dimension
25	Spindles	1-1/2" x 1-1/2" x 14-1/2"
1	Spacer	7/8" x 1-1/2" x 93"
2	Side Channel	1-1/4" x 1-1/4" x 24-1/2"



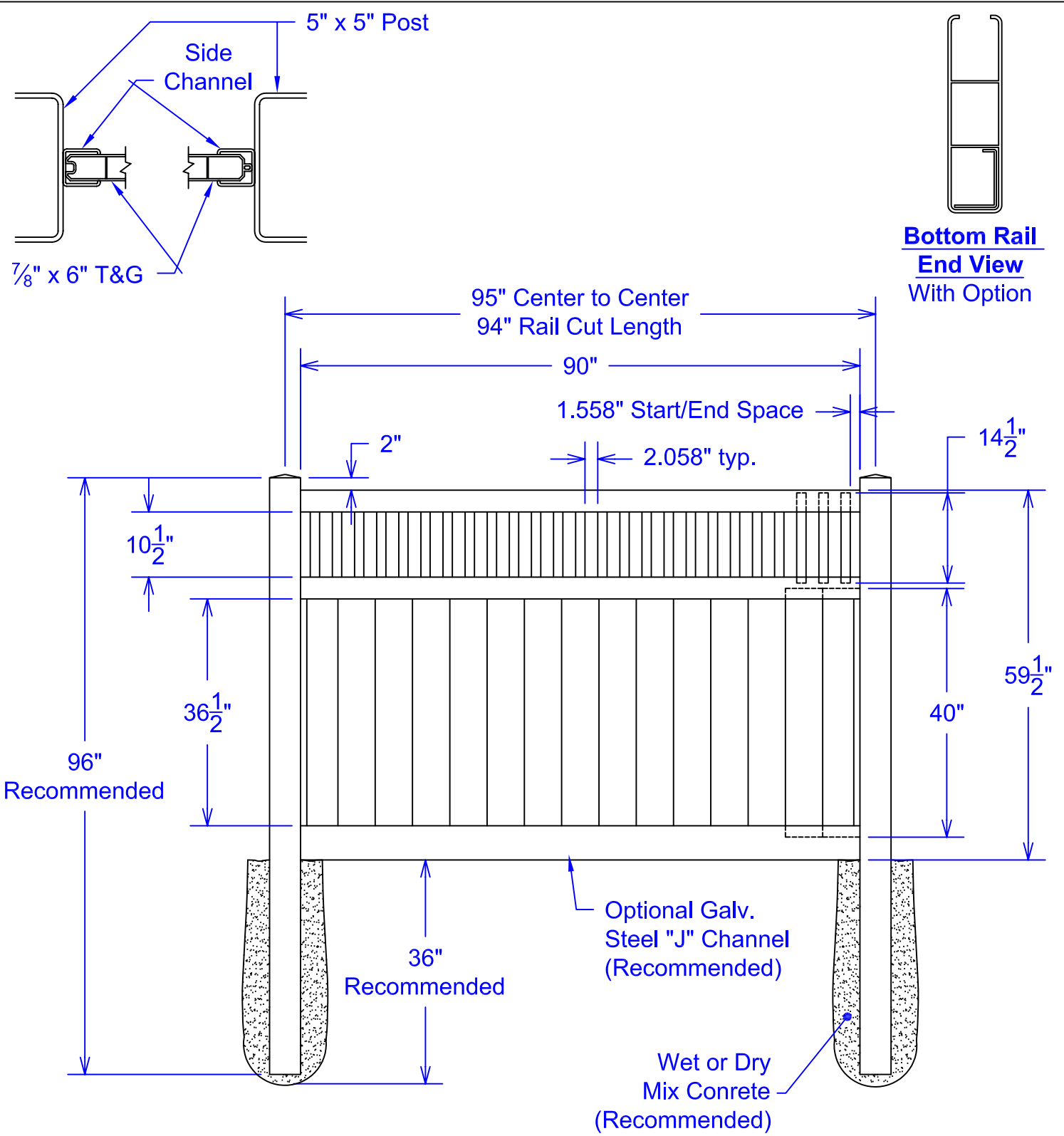
894 Prairie Avenue
Wilmington, Ohio 45177

Phone: (937) 383-2004 Fax: (937) 383-2022

Drawn By:
A.G. Bailey

T&G Privacy with
Closed Spindle
4' x 8' section

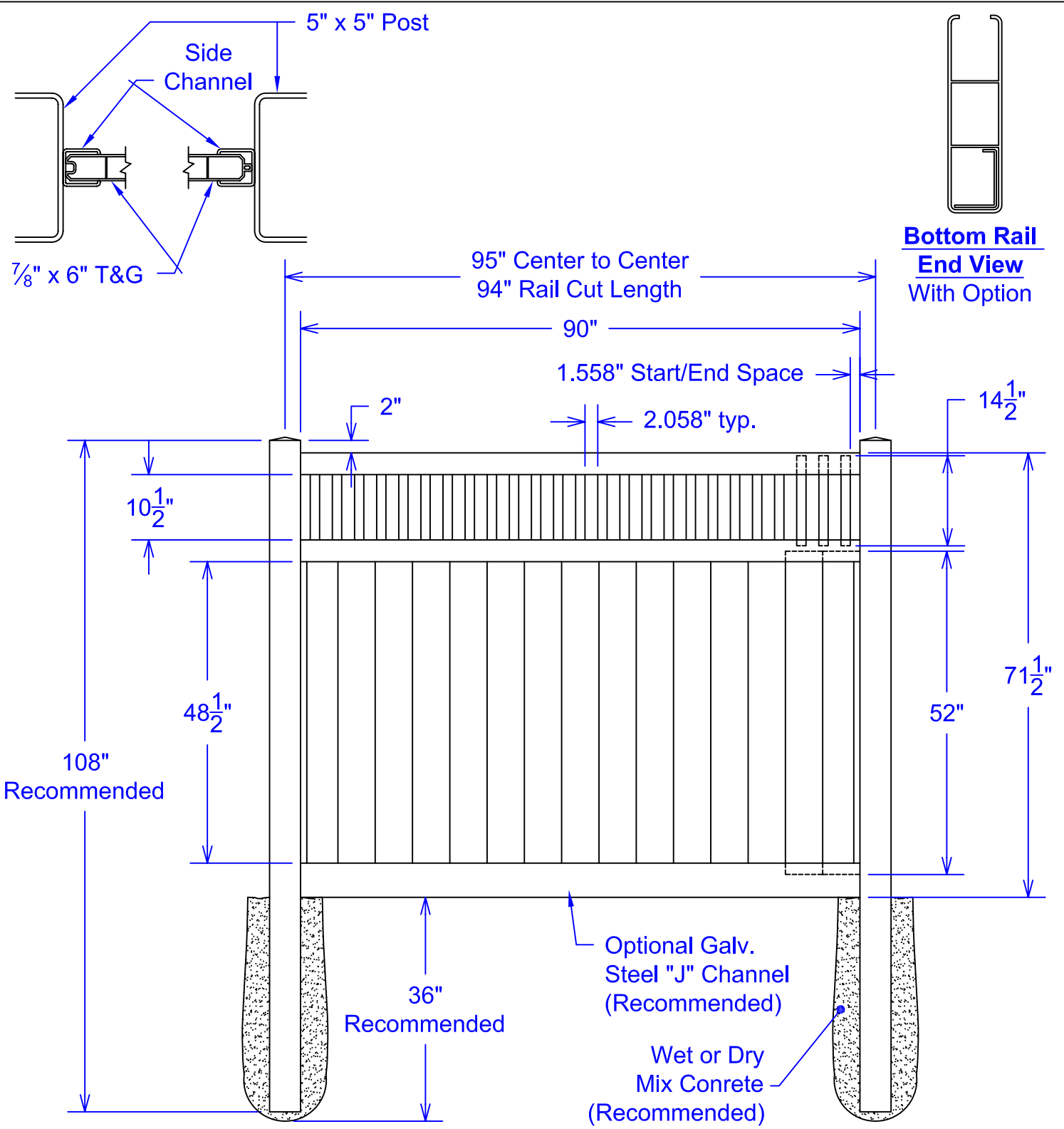
Scale:
NTS
Date:
10/19/01



Material per 8' section.

Qty	Item	Dimension
2	Rails	2" x 3-1/2" x 94"
1	Rail	1-1/2" x 5-1/2" x 94"
15	Planks	7/8" x 6" (T&G) x 40"

Qty	Item	Dimension
25	Spindles	1-1/2" x 1-1/2" x 14-1/2"
1	Spacer	7/8" x 1-1/2" x 93"
2	Side Channel	1-1/4" x 1-1/4" x 36-1/2"



Material per 8' section.

Qty	Item	Dimension
2	Rails	2" x 3-1/2" x 94"
1	Rail	1-1/2" x 5-1/2" x 94"
15	Planks	7/8" x 6" (T&G) x 52"

Qty	Item	Dimension
25	Spindles	1-1/2" x 1-1/2" x 14-1/2"
1	Spacer	7/8" x 1-1/2" x 93"
2	Side Channel	1-1/4" x 1-1/4" x 48-1/2"



894 Prairie Avenue
 Wilmington, Ohio 45177
 Phone: (937) 383-2004 Fax: (937) 383-2022

Drawn By:
 A.G. Bailey

T&G Privacy with
 Closed Spindle
 6' x 8' section

Scale:
 NTS
 Date:
 10/19/01