

Material per 6' section.					
Qty	Item	Dimension	Qty	Item	Dimension
1	Rail	2" x 3-1/2" x 69"	2	Side Channel	1-1/4" x 12-1/2"
2	Rails	1-1/2" x 5-1/2" x 69"	2	Side Channel	1-1/4" x 8-1/2"
11	Planks	7/8" x 6" (T&G) x 16"	1	Lattice	12" x 66"



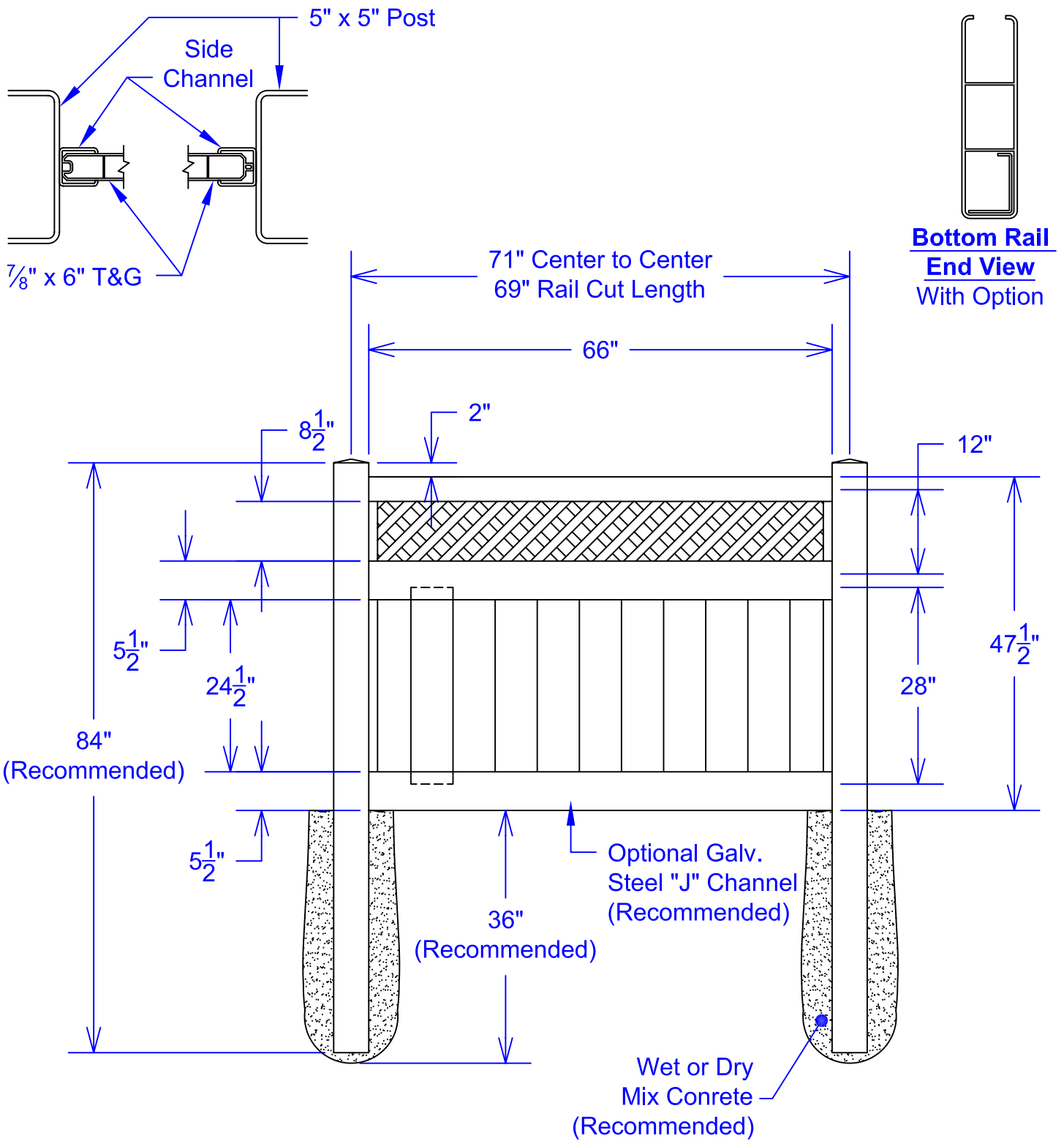
894 Prairie Avenue  
Wilmington, Ohio 45177

Phone: (937) 383-2004 Fax: (937) 383-2022

Drawn By:  
A.G. Bailey

T&G Privacy with Lattice  
3' x 6' Section

Scale:  
NTS  
Date:  
3/06/01



Material per 6' section.

Qty	Item	Dimension	Qty	Item	Dimension
1	Rail	2" x 3-1/2" x 69"	2	Side Channel	1-1/4" x 24-1/2"
2	Rails	1-1/2" x 5-1/2" x 69"	2	Side Channel	1-1/4" x 8-1/2"
11	Planks	7/8" x 6" (T&G) x 28"	1	Lattice	12" x 66"

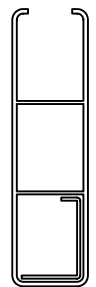
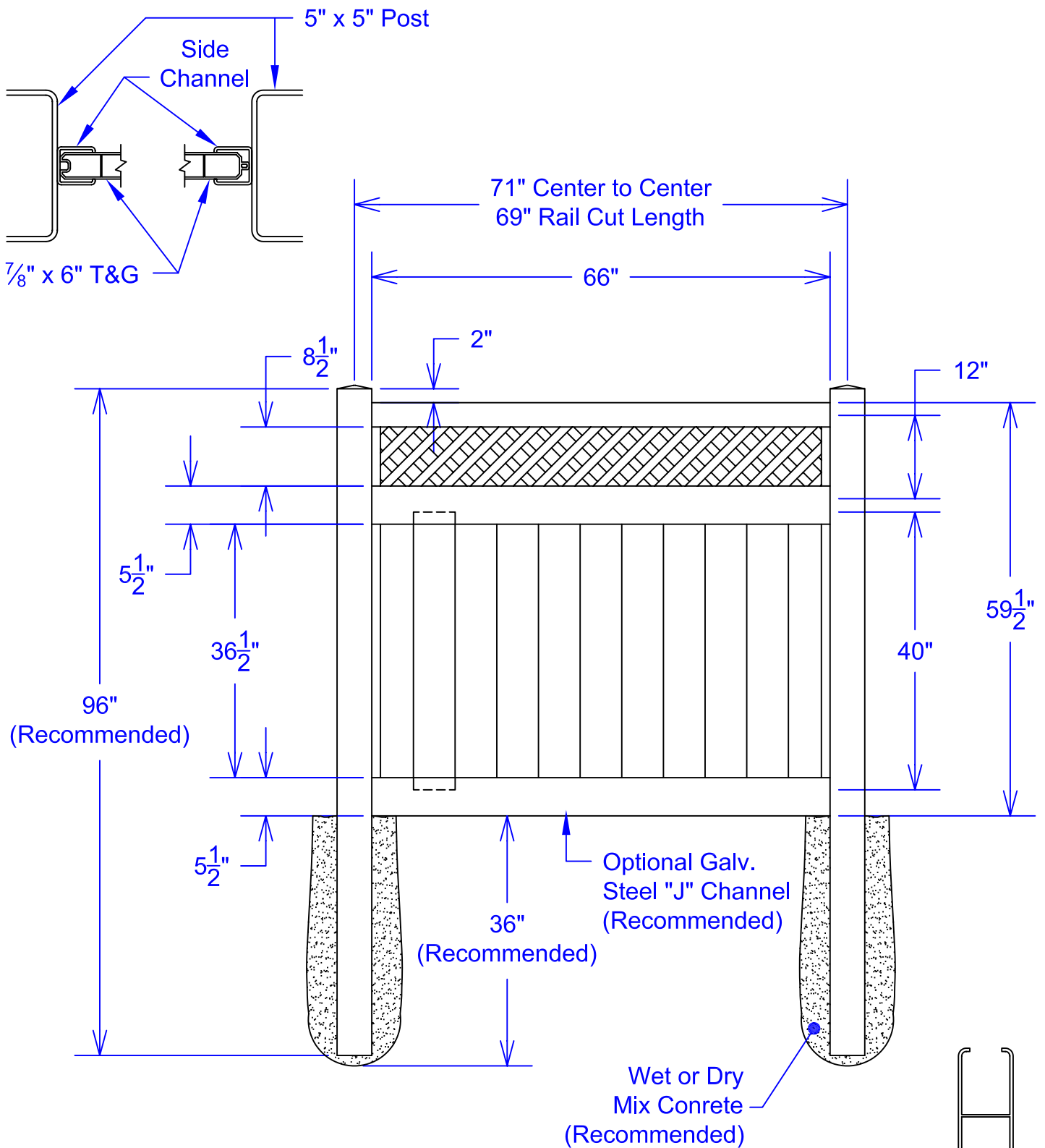


894 Prairie Avenue  
Wilmington, Ohio 45177  
Phone: (937) 383-2004 Fax: (937) 383-2022

Drawn By:  
A.G. Bailey

T&G Privacy with Lattice  
4' x 6' Section

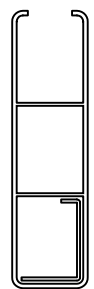
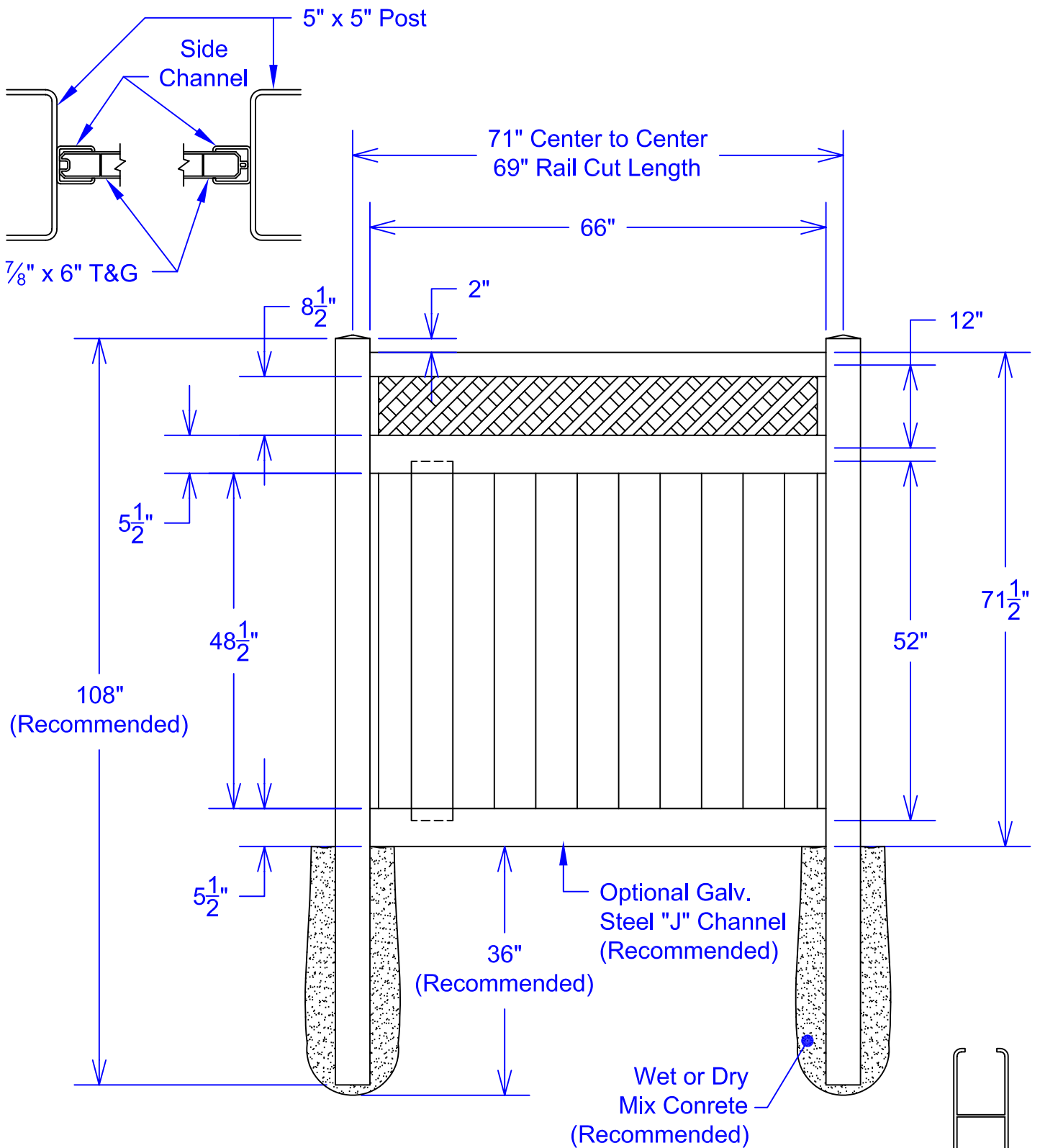
Scale:  
NTS  
Date:  
2/08/01



**Bottom Rail  
End View  
With Option**

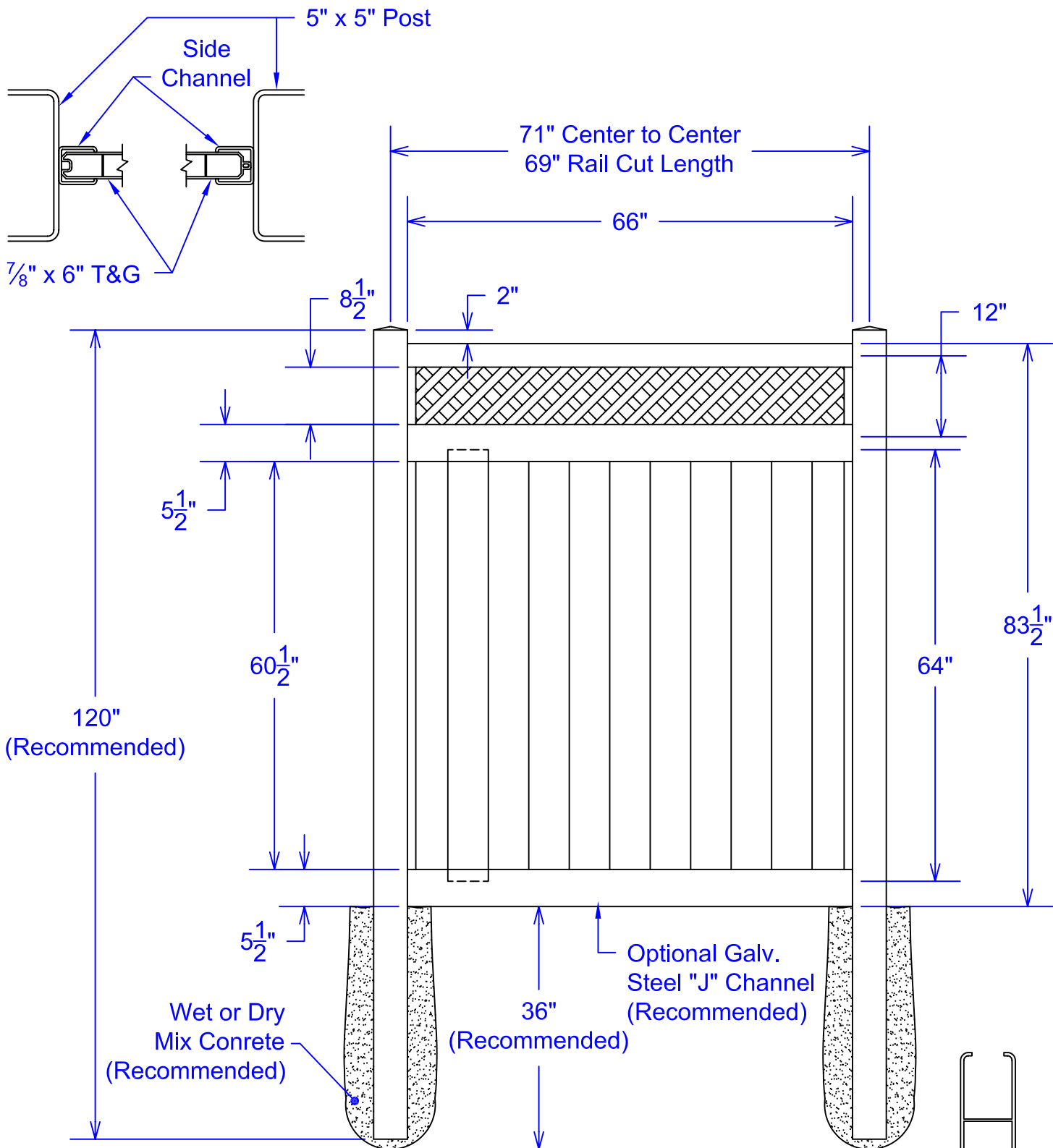
Material per 6' section.

Qty	Item	Dimension	Qty	Item	Dimension
1	Rail	2" x 3-1/2" x 69"	2	Side Channel	1-1/4" x 36-1/2"
2	Rails	1-1/2" x 5-1/2" x 69"	2	Side Channel	1-1/4" x 8-1/2"
11	Planks	7/8" x 6" (T&G) x 40"	1	Lattice	12" x 66"



**Bottom Rail  
End View  
With Option**

Material per 6' section.					
Qty	Item	Dimension	Qty	Item	Dimension
1	Rail	2" x 3-1/2" x 69"	2	Side Channel	1-1/4" x 48-1/2"
2	Rails	1-1/2" x 5-1/2" x 69"	2	Side Channel	1-1/4" x 8-1/2"
11	Planks	7/8" x 6" (T&G) x 52"	1	Lattice	12" x 66"

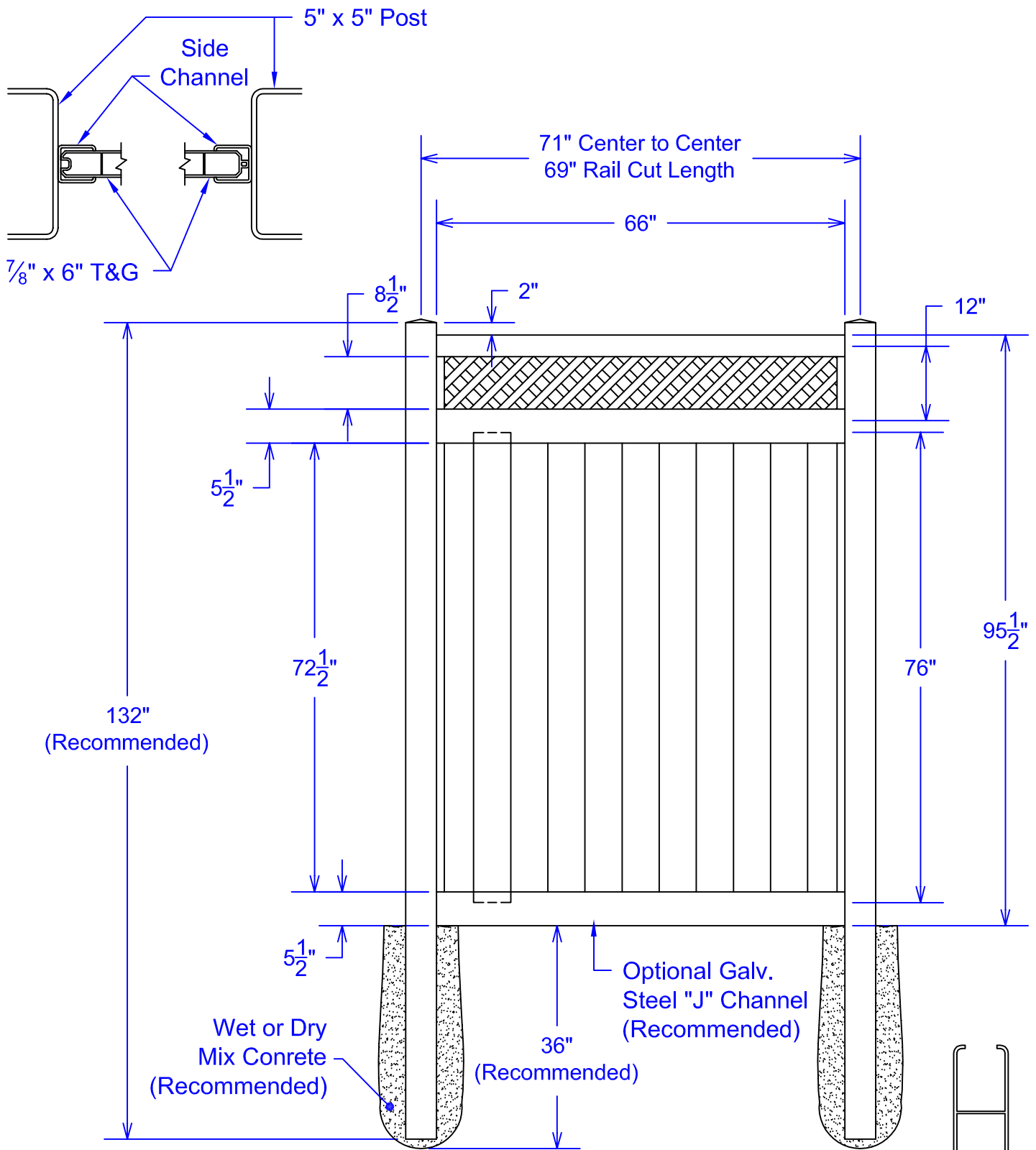


**Material per 6' section.**

Qty	Item	Dimension	Qty	Item	Dimension
1	Rail	2" x 3-1/2" x 69"	2	Side Channel	1-1/4" x 60-1/2"
2	Rails	1-1/2" x 5-1/2" x 69"	2	Side Channel	1-1/4" x 8-1/2"
11	Planks	7/8" x 6" (T&G) x 64"	1	Lattice	12" x 66"



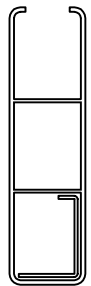
**Bottom Rail  
End View  
With Option**



Material per 6' section.

Qty	Item	Dimension
1	Rail	2" x 3-1/2" x 69"
2	Rails	1-1/2" x 5-1/2" x 69"
11	Planks	7/8" x 6" (T&G) x 76"

Qty	Item	Dimension
2	Side Channel	1-1/4" x 72-1/2"
2	Side Channel	1-1/4" x 8-1/2"
1	Lattice	12" x 66"



**Bottom Rail  
End View  
With Option**



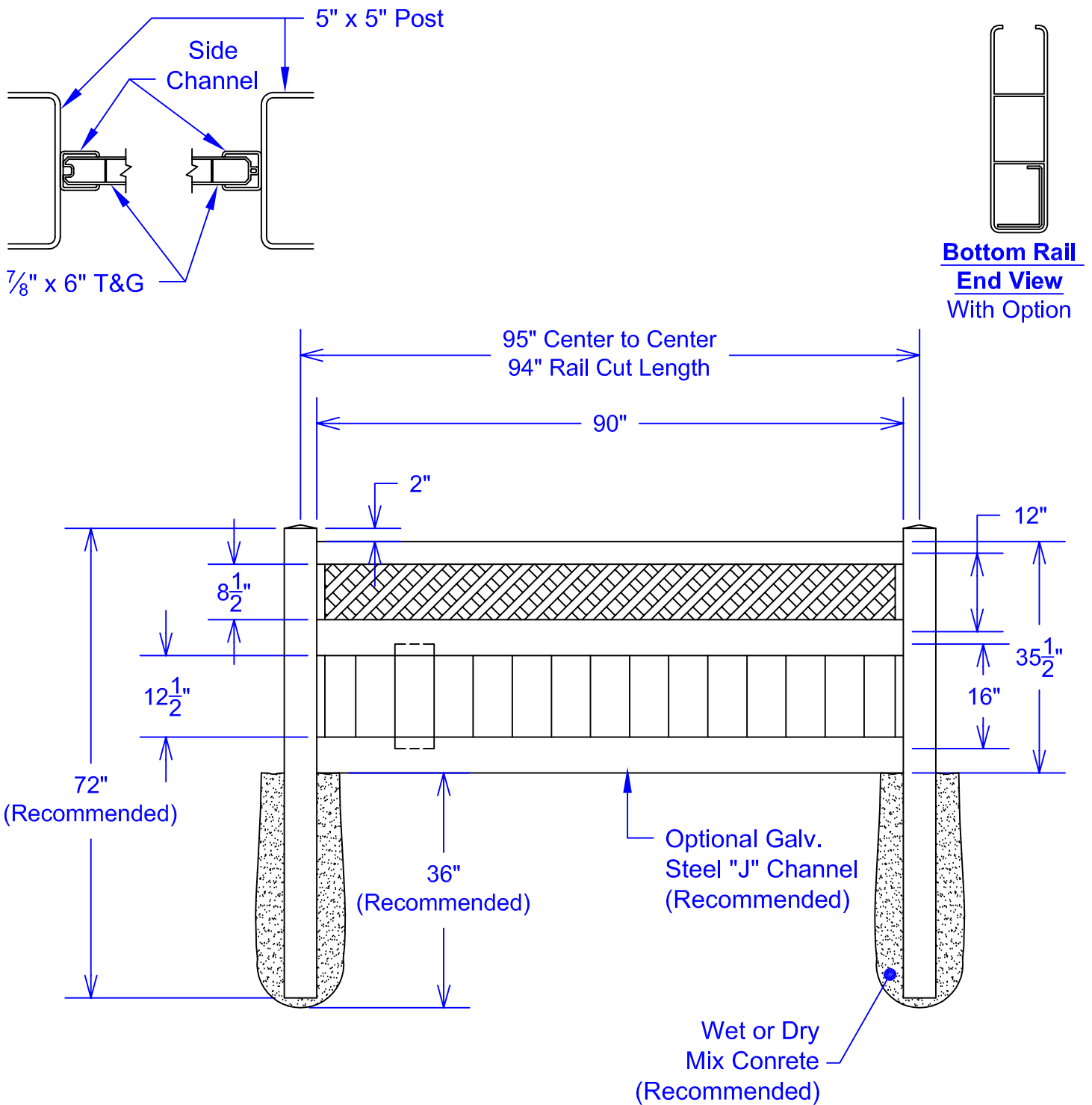
894 Prairie Avenue  
Wilmington, Ohio 45177

Phone: (937) 383-2004 Fax: (937) 383-2022

Drawn By:  
A.G. Bailey

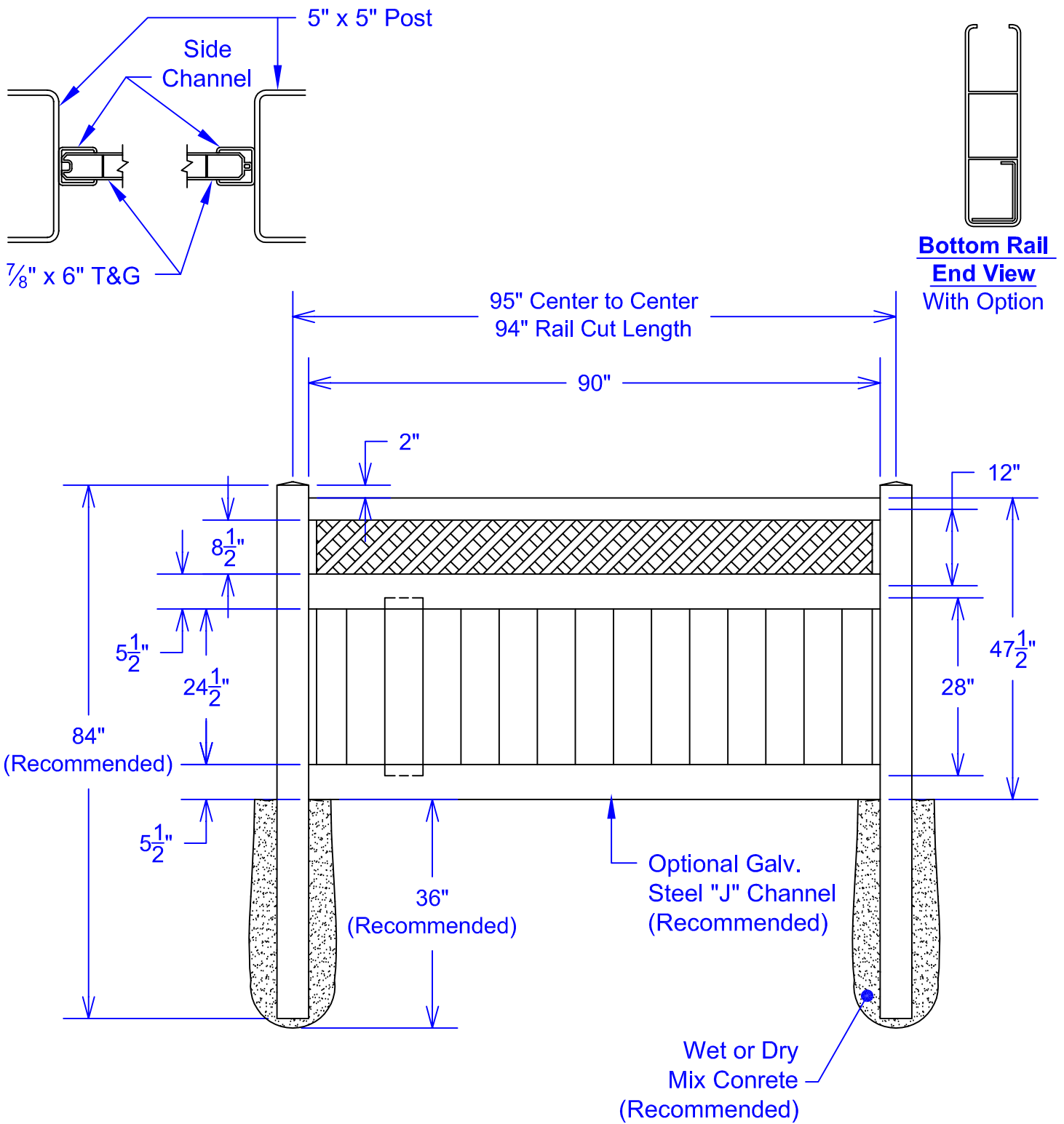
T&G Privacy with Lattice  
8' x 6' Section

Scale:  
NTS  
Date:  
2/08/01



Material per 8' section.

Qty	Item	Dimension	Qty	Item	Dimension
1	Rail	2" x 3-1/2" x 94"	2	Side Channel	1-1/4" x 8-1/2"
2	Rails	1-1/2" x 5-1/2" x 94"	2	Side Channel	1-1/4" x 12-1/2"
15	Planks	7/8" x 6" (T&G) x 16"	1	Lattice	12" x 90"



Material per 8' section.					
Qty	Item	Dimension	Qty	Item	Dimension
1	Rail	2" x 3-1/2" x 94"	2	Side Channel	1-1/4" x 8-1/2"
2	Rails	1-1/2" x 5-1/2" x 94"	2	Side Channel	1-1/4" x 24-1/2"
15	Planks	7/8" x 6" (T&G) x 28"	1	Lattice	12" x 90"



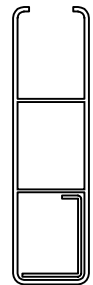
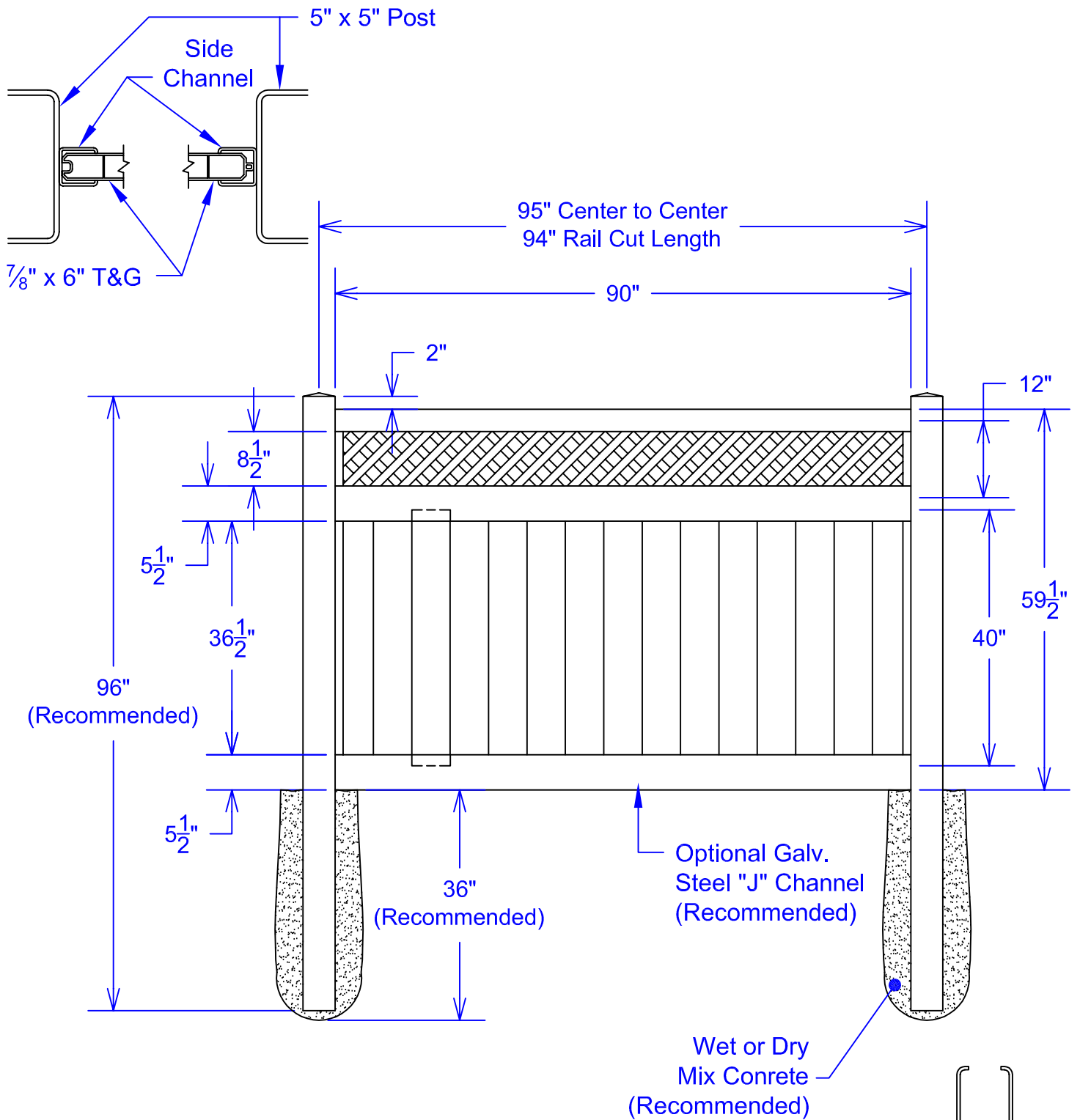
894 Prairie Avenue  
Wilmington, Ohio 45177

Phone: (937) 383-2004 Fax: (937) 383-2022

Drawn By:  
A.G. Bailey

T&G Privacy with Lattice  
4' x 8' Section

Scale:  
NTS  
Date:  
2/08/01



**Bottom Rail  
End View  
With Option**

**Material per 8' section.**

Qty	Item	Dimension	Qty	Item	Dimension
1	Rail	2" x 3-1/2" x 94"	2	Side Channel	1-1/4" x 8-1/2"
2	Rails	1-1/2" x 5-1/2" x 94"	2	Side Channel	1-1/4" x 36-1/2"
15	Planks	7/8" x 6" (T&G) x 40"	1	Lattice	12" x 90"



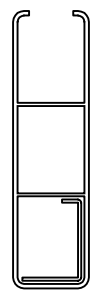
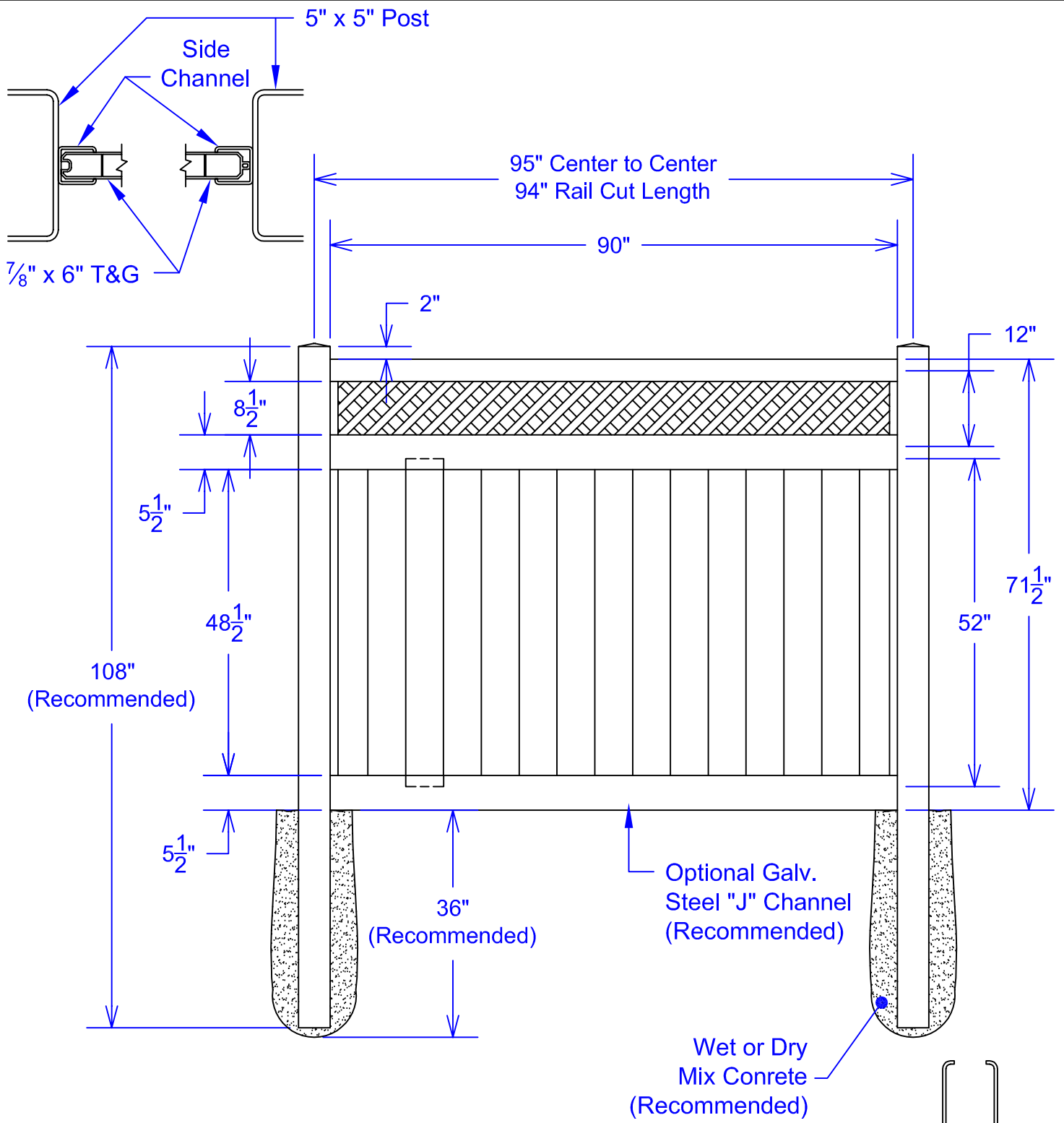
**894 Prairie Avenue  
Wilmington, Ohio 45177**

Phone: (937) 383-2004 Fax: (937) 383-2022

Drawn By:  
A.G. Bailey

T&G Privacy with Lattice  
5' x 8' Section

Scale:  
NTS  
Date:  
2/08/01



**Bottom Rail  
End View  
With Option**

Material per 8' section.					
Qty	Item	Dimension	Qty	Item	Dimension
1	Rail	2" x 3-1/2" x 94"	2	Side Channel	1-1/4" x 8-1/2"
2	Rails	1-1/2" x 5-1/2" x 94"	2	Side Channel	1-1/4" x 48-1/2"
15	Planks	7/8" x 6" (T&G) x 52"	1	Lattice	12" x 90"



**894 Prairie Avenue  
Wilmington, Ohio 45177**  
 Phone: (937) 383-2004 Fax: (937) 383-2022

Drawn By:  
A.G. Bailey

T&G Privacy with Lattice  
6' x 8' Section

Scale:  
NTS  
Date:  
2/08/01