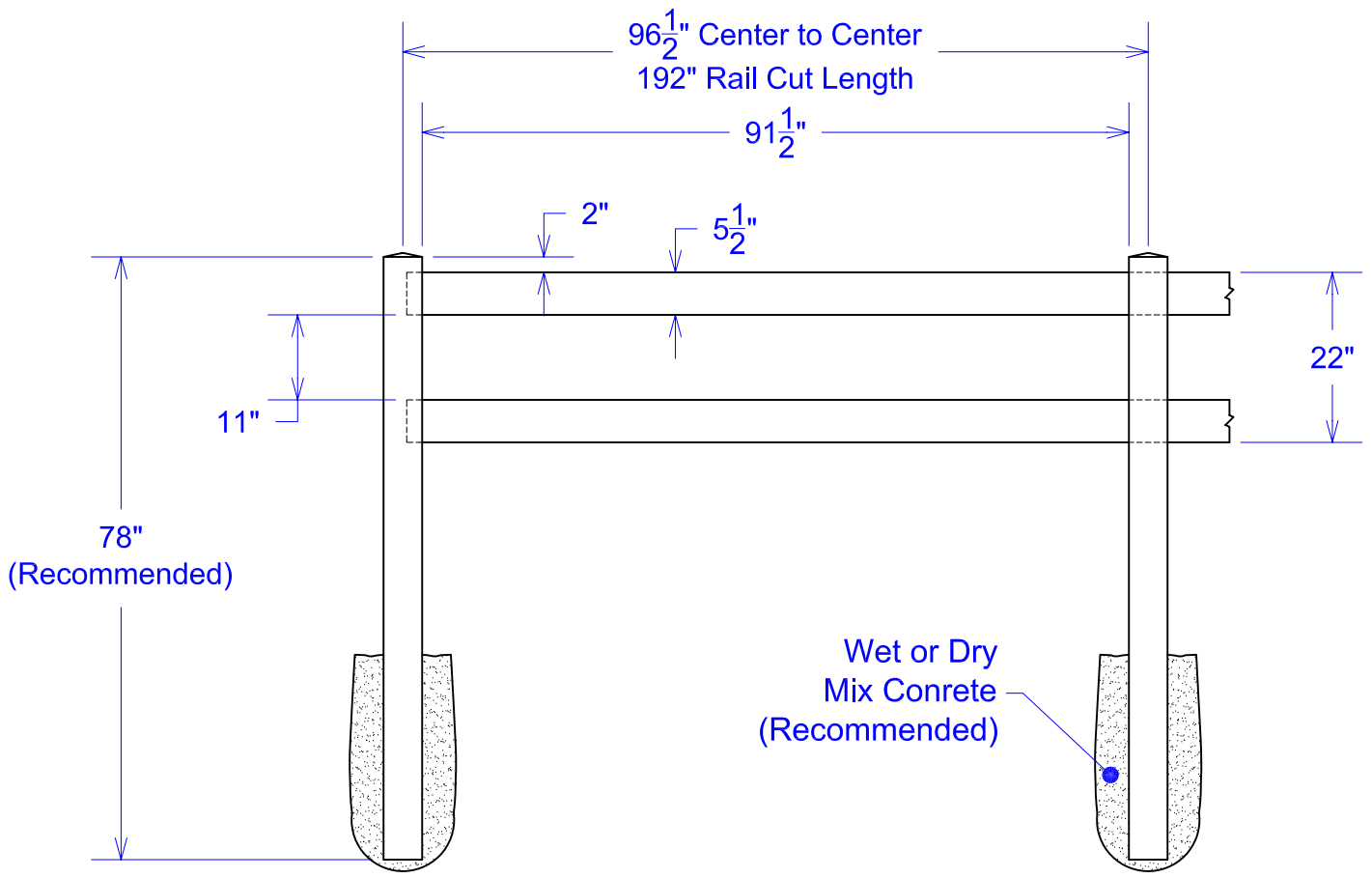
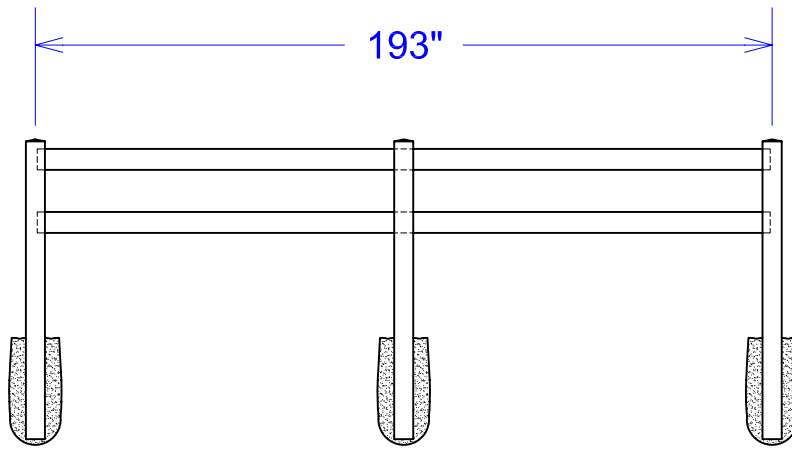


1 1/2" x 5 1/2" Hole for Rail in the Post (TYP) Locate as Shown

Glue Post Cap to Post (Internal Cap Shown)

(2) 1 1/2" x 5 1/2" Rails Slide into Post 2"

5" x 5" Post



Material
1-1/2" x 5-1/2" x 192" Rails
5" x 5" x 84" Posts

Options
Notched
Drilled for Clips



894 Prairie Avenue  
Wilmington, Ohio 45177  
Phone: (937) 383-2004 Fax: (937) 383-2022

Drawn By:  
A.G. Bailey

Two Rail Fence  
Ranch Rail

Scale:  
NTS  
Date:  
6/01/01