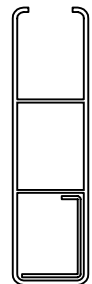
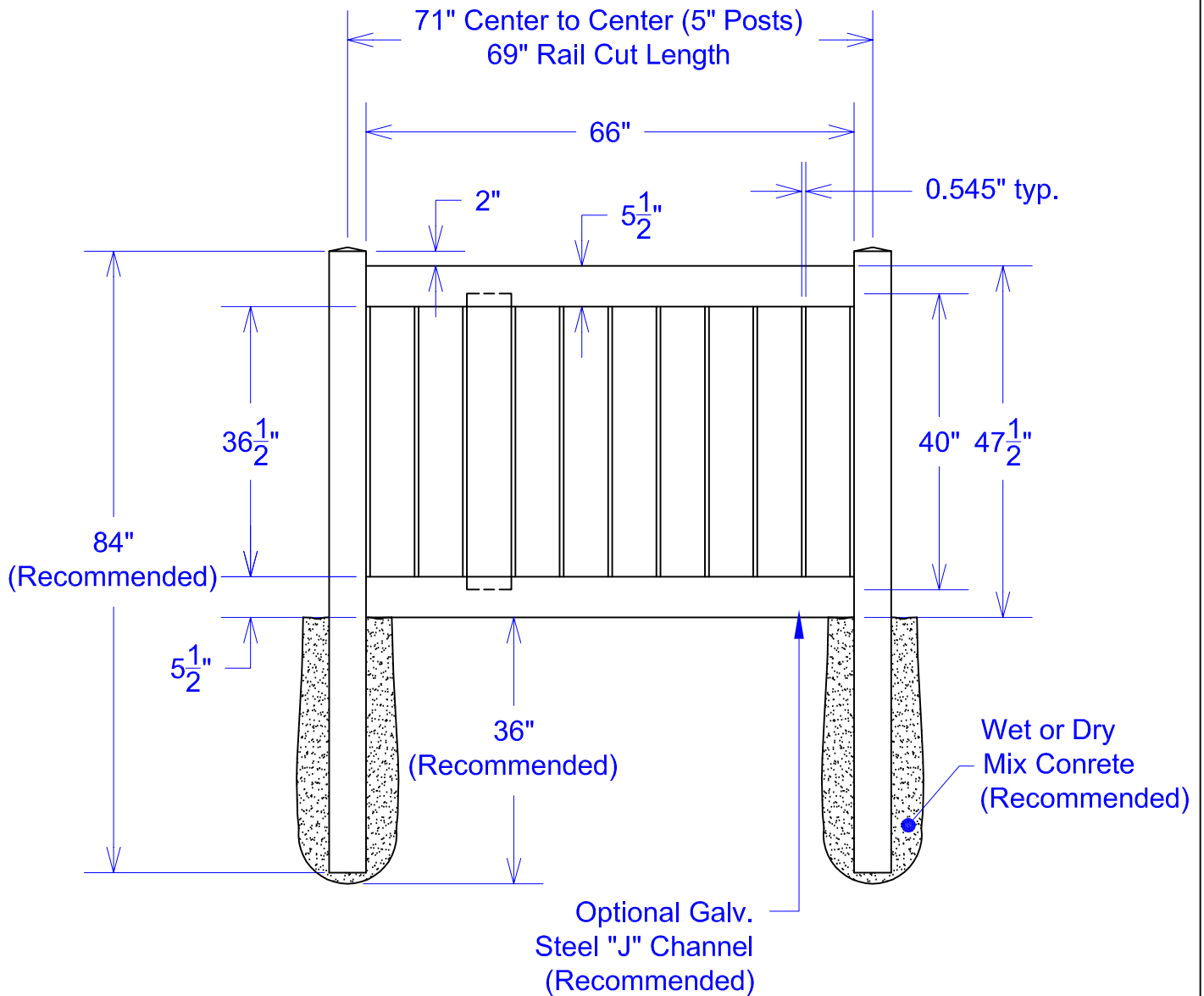


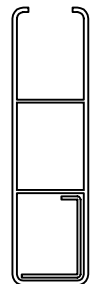
Material per 6' section.		
Qty	Item	Dimension
2	Rails	1-1/2" x 5-1/2" x 69"
10	Pickets	7/8" x 6" x 28"



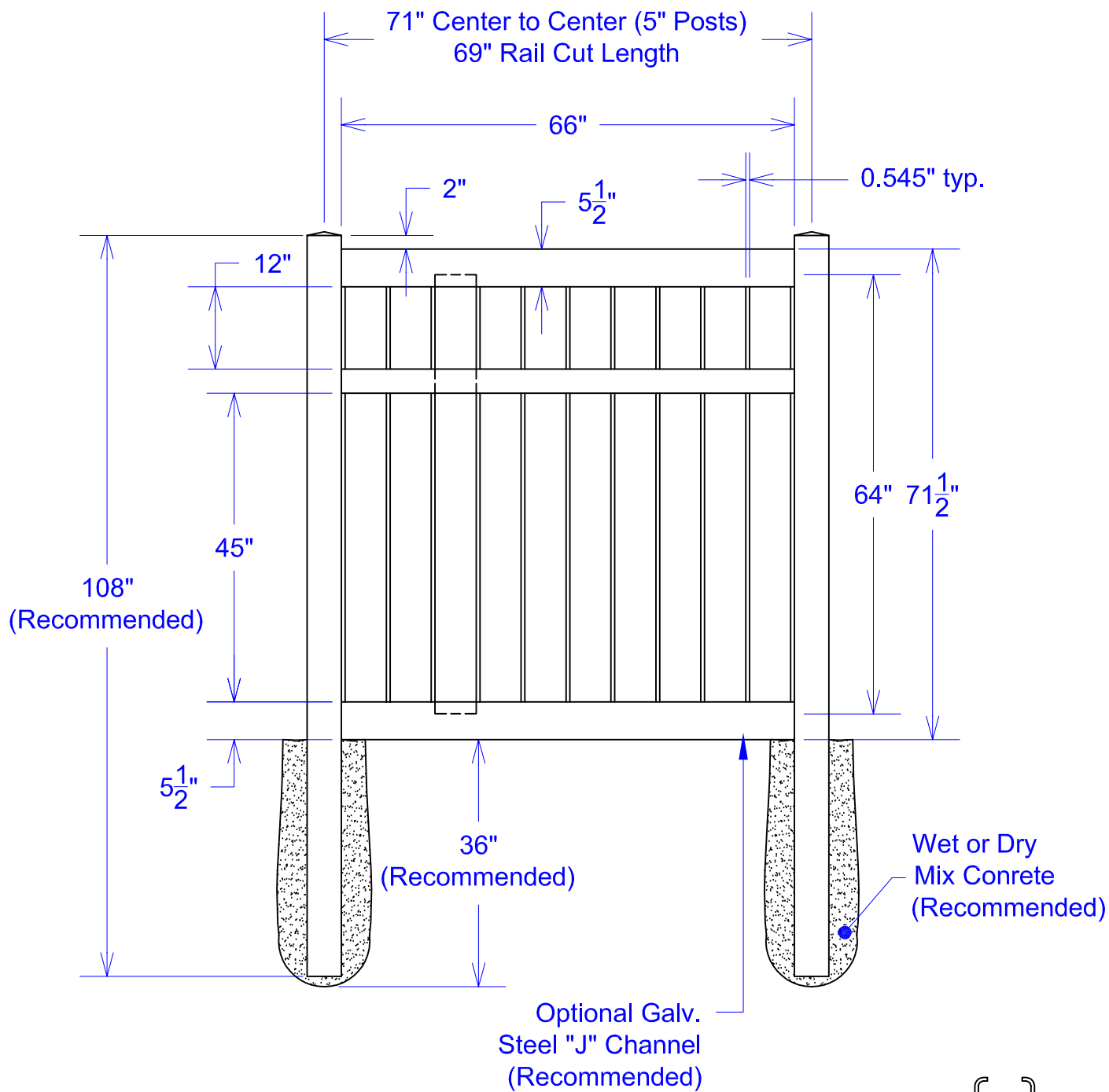
**Bottom Rail
End View
With Option**



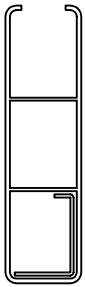
Material per 6' section.		
Qty	Item	Dimension
2	Rails	1-1/2" x 5-1/2" x 69"
10	Pickets	7/8" x 6" x 40"



**Bottom Rail
End View
With Option**



Material per 6' section.		
Qty	Item	Dimension
1	Rail	2" x 3-1/2" x 69"
2	Rails	1-1/2" x 5-1/2" x 69"
10	Pickets	7/8" x 6" x 64"



**Bottom Rail
End View
With Option**

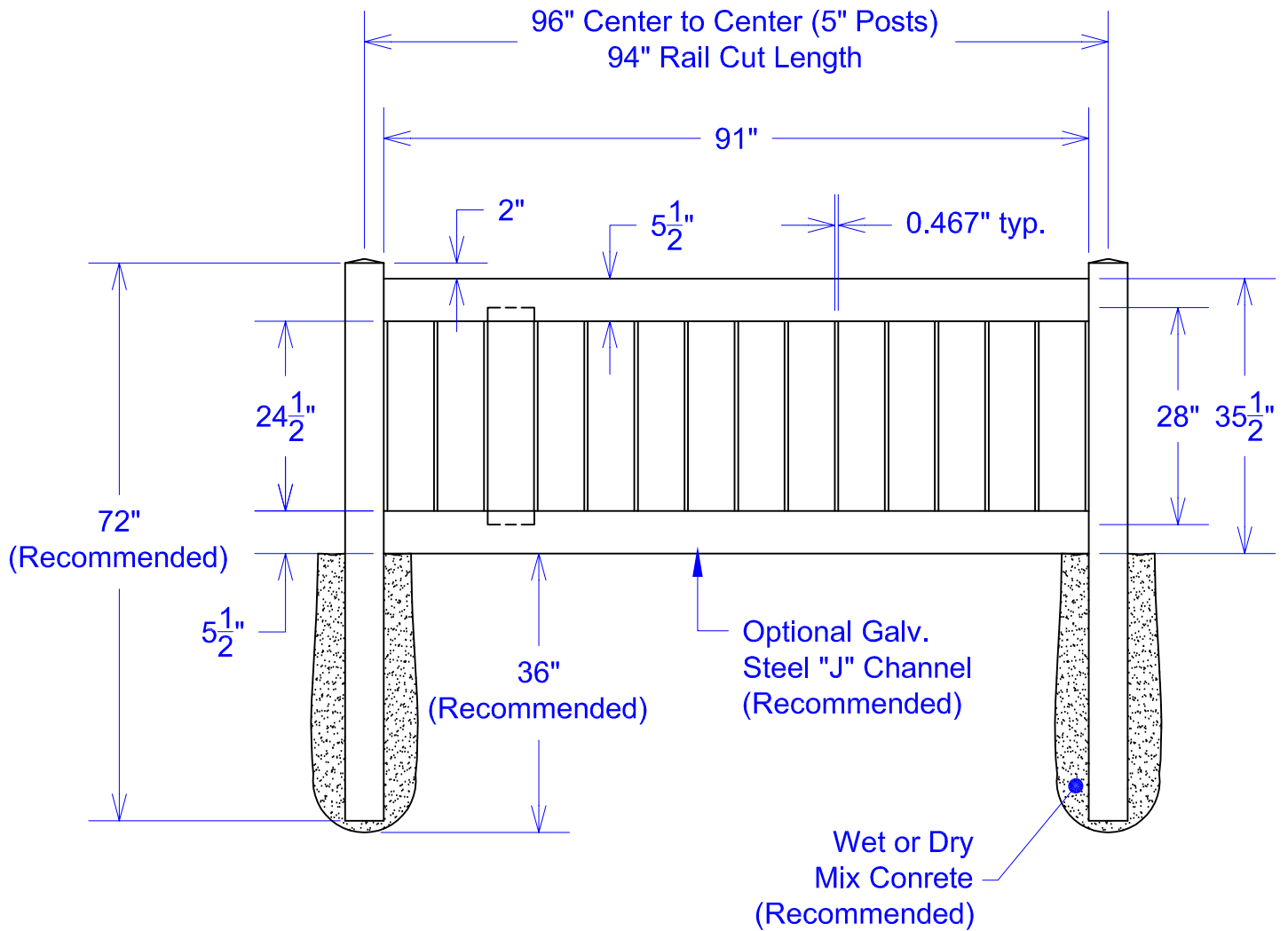


**894 Prairie Avenue
Wilmington, Ohio 45177**
 Phone: (937) 383-2004 Fax: (937) 383-2022

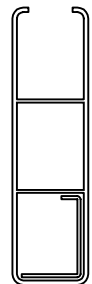
Drawn By:
A.G. Bailey

6" Picket Semi-Privacy
6' x 6' Section

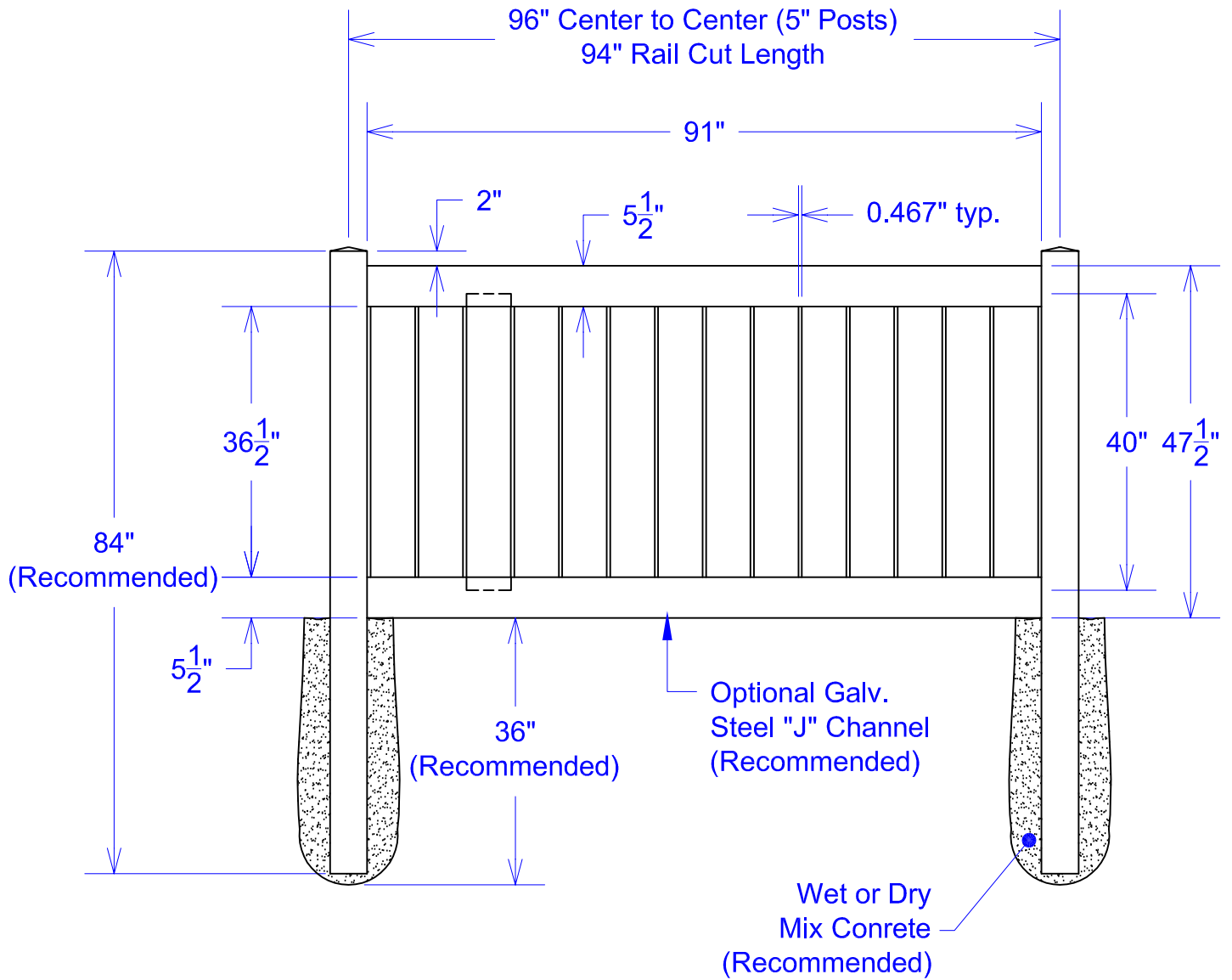
Scale:
NTS
Date:
6/13/01



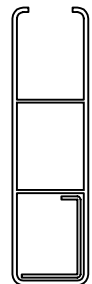
Material per 8' section.		
Qty	Item	Dimension
2	Rails	1-1/2" x 5-1/2" x 94"
14	Pickets	7/8" x 6" x 28"



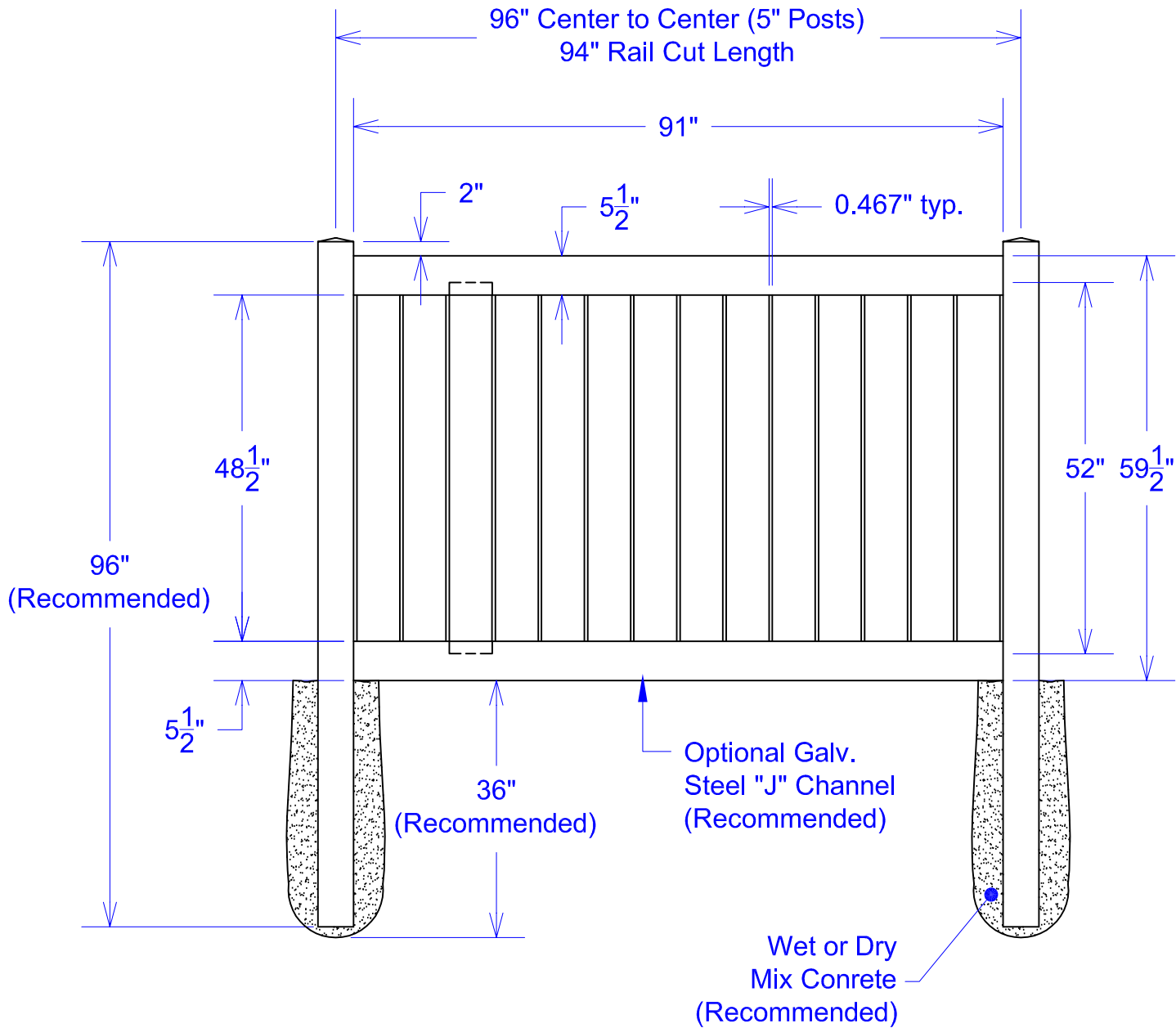
**Bottom Rail
End View
With Option**



Material per 8' section.		
Qty	Item	Dimension
2	Rails	1-1/2" x 5-1/2" x 94"
14	Pickets	7/8" x 6" x 40"



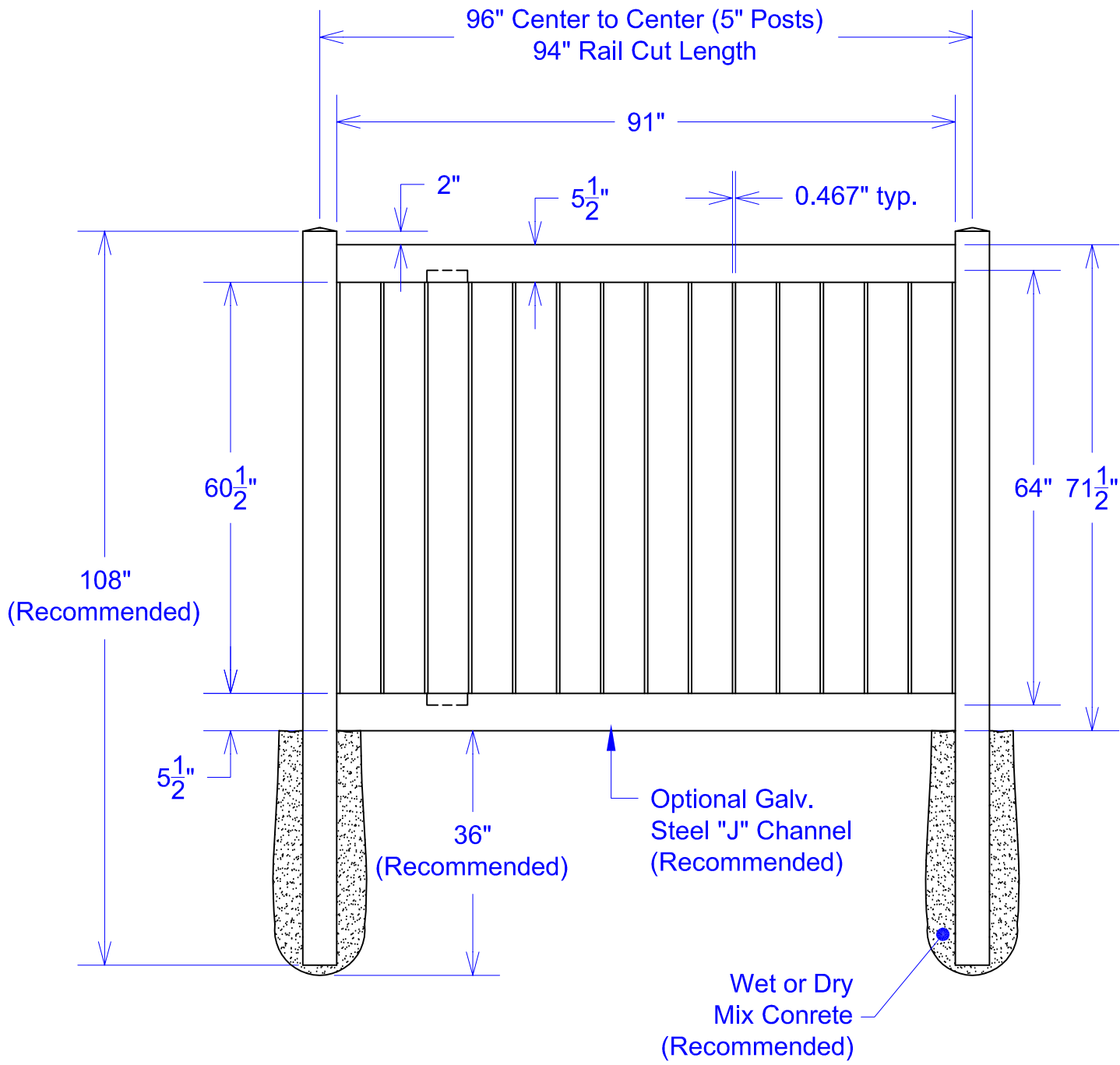
**Bottom Rail
End View
With Option**



Material per 8' section.		
Qty	Item	Dimension
2	Rails	1-1/2" x 5-1/2" x 94"
14	Pickets	7/8" x 6" x 52"

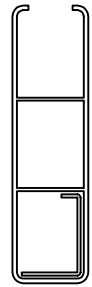


**Bottom Rail
End View
With Option**



Material per 8' section.

Qty	Item	Dimension
2	Rail	1-1/2" x 5-1/2" x 94"
14	Pickets	7/8" x 6" x 64"



**Bottom Rail
End View
With Option**



894 Prairie Avenue
Wilmington, Ohio 45177
Phone: (937) 383-2004 Fax: (937) 383-2022

Drawn By:
A.G.Bailey

6" Picket Semi-Privacy
6' x 8' Section

Scale:
NTS
Date:
6/14/01