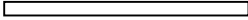


Glue Post Cap to Post  
(Internal Cap Shown)

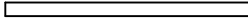
Traditional (1½ x 1½ Picket)



Victorian (1½ x 1½ Spindle)



Economy (7⁄8 x 1½ Picket)



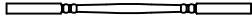
Presidential (1¼ x 1¼ Spindle)



American (1½ x 1½ Spindle)



Colonial (1½ x 1½ Spindle)



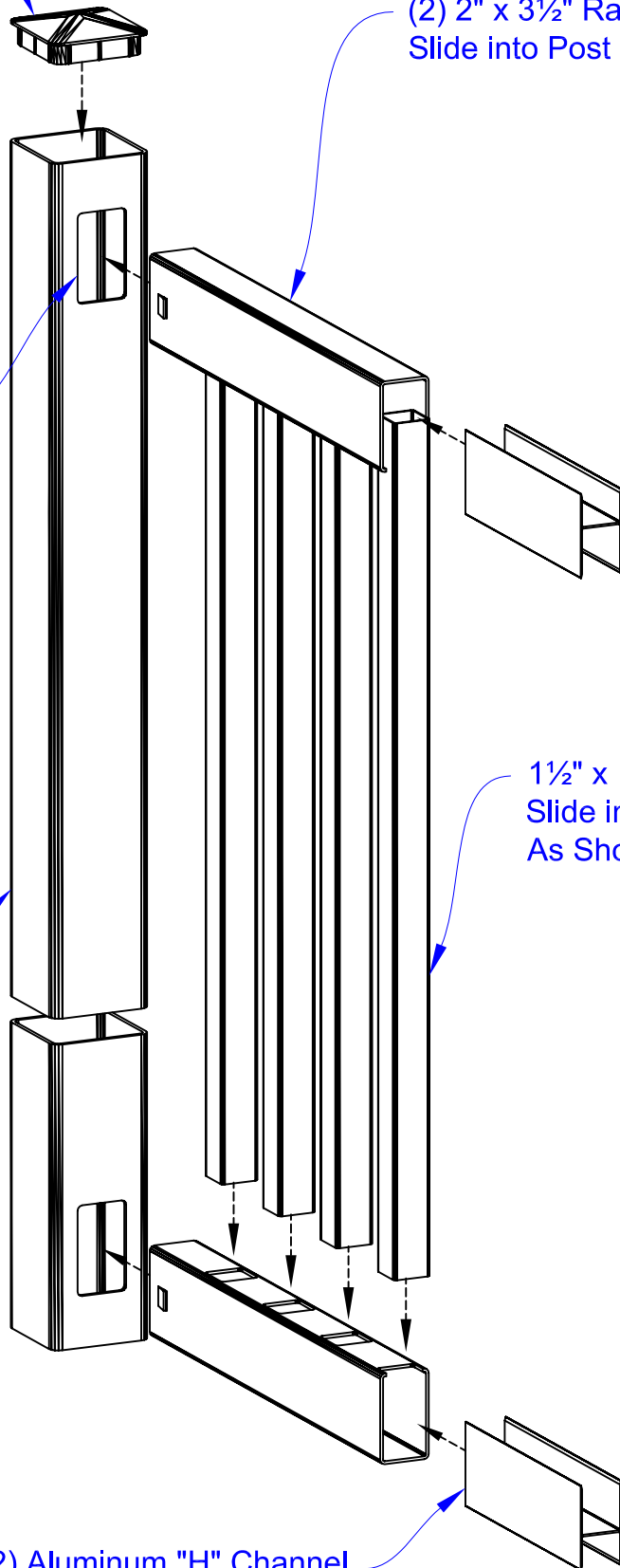
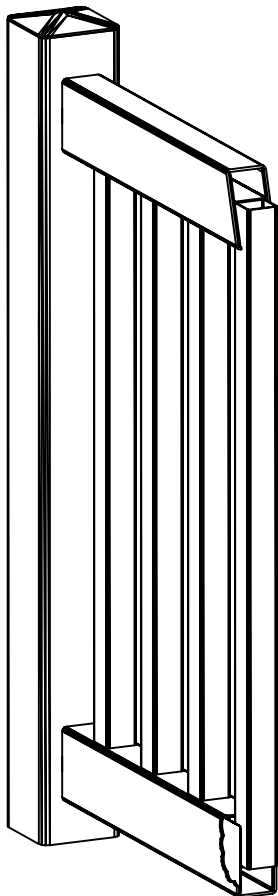
(2) 2" x 3½" Rail  
Slide into Post 1½"

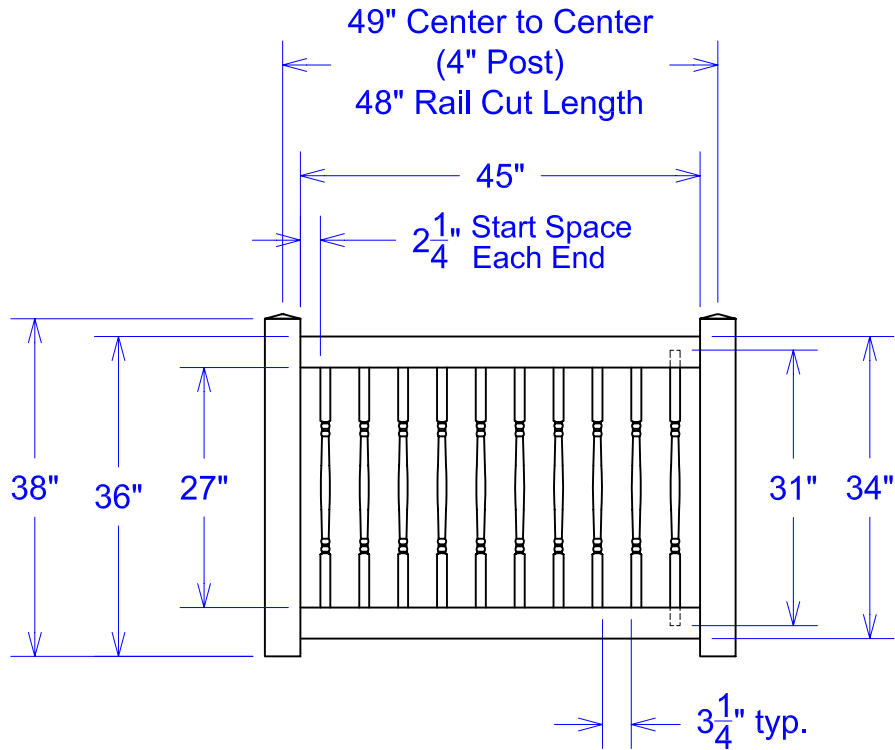
2" x 3½" Hole for  
Rail in the Post (TYP)  
Locate as Shown

1½" x 1½" Picket  
Slide into Rails  
As Shown.

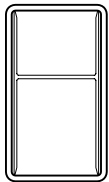
4" x 4" Post

(2) Aluminum "H" Channel

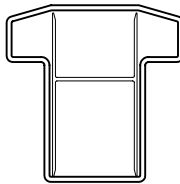




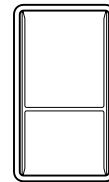
Material per 4' section.		
Qty	Item	Dimension
2	Rails	2" x 3-1/2" x 48"
2	"H" Channels	1-11/16" x 3-1/4" x 48"
10	Pickets	1-1/8" x 1-1/8" x 31"



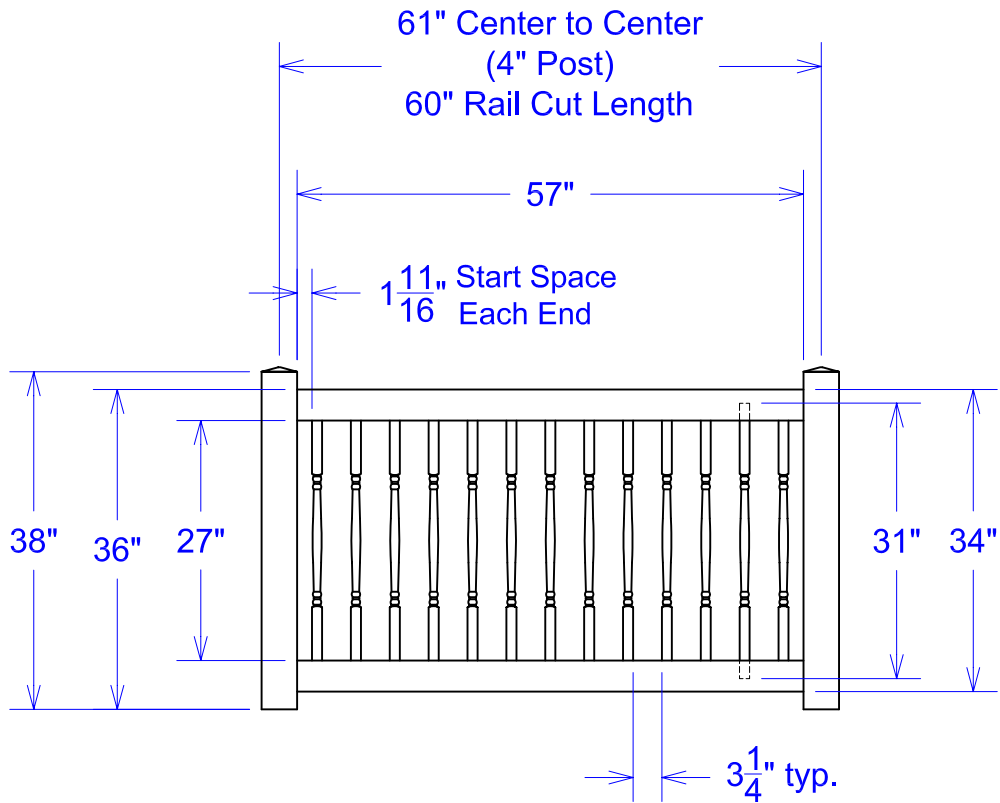
**Top Rail**  
**End View**



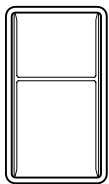
**Top T-Rail**  
**End View**



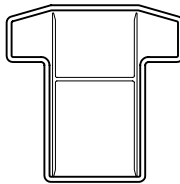
**Bottom Rail**  
**End View**



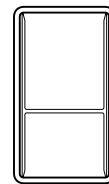
Material per 5' section.		
Qty	Item	Dimension
2	Rails	2" x 3-1/2" x 60"
2	"H" Channels	1-11/16" x 3-1/4" x 60"
13	Pickets	1-1/8" x 1-1/8" x 31"



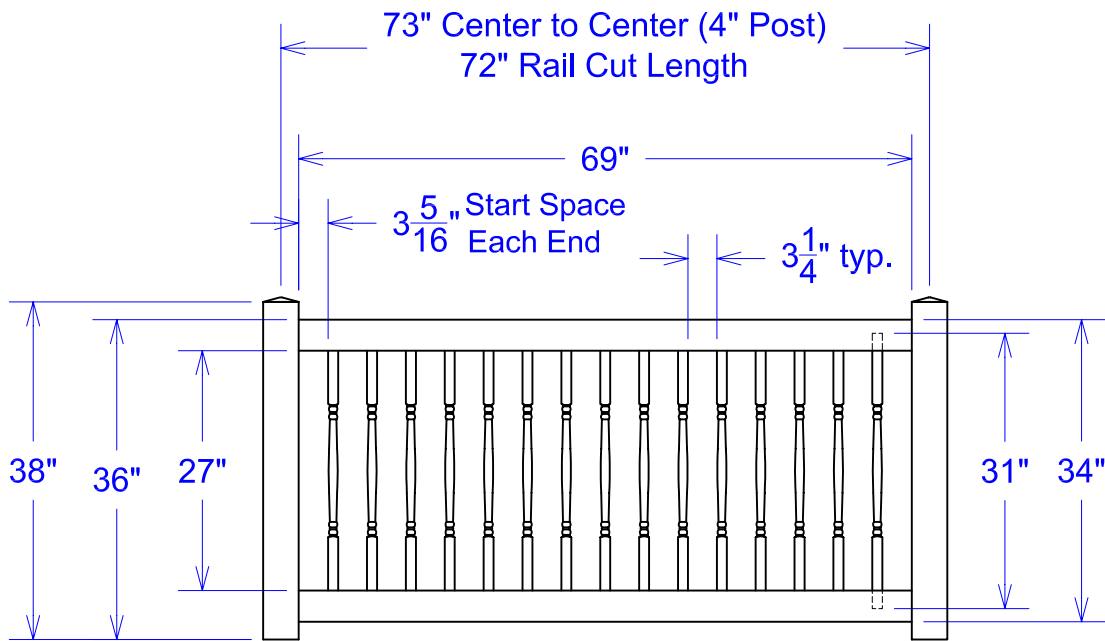
**Top Rail**  
**End View**



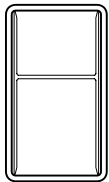
**Top T-Rail**  
**End View**



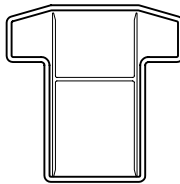
**Bottom Rail**  
**End View**



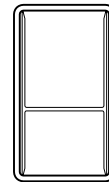
Material per 6' section.		
Qty	Item	Dimension
2	Rails	2" x 3-1/2" x 72"
2	"H" Channels	1-11/16" x 3-1/4" x 72"
15	Pickets	1-1/8" x 1-1/8" x 31"



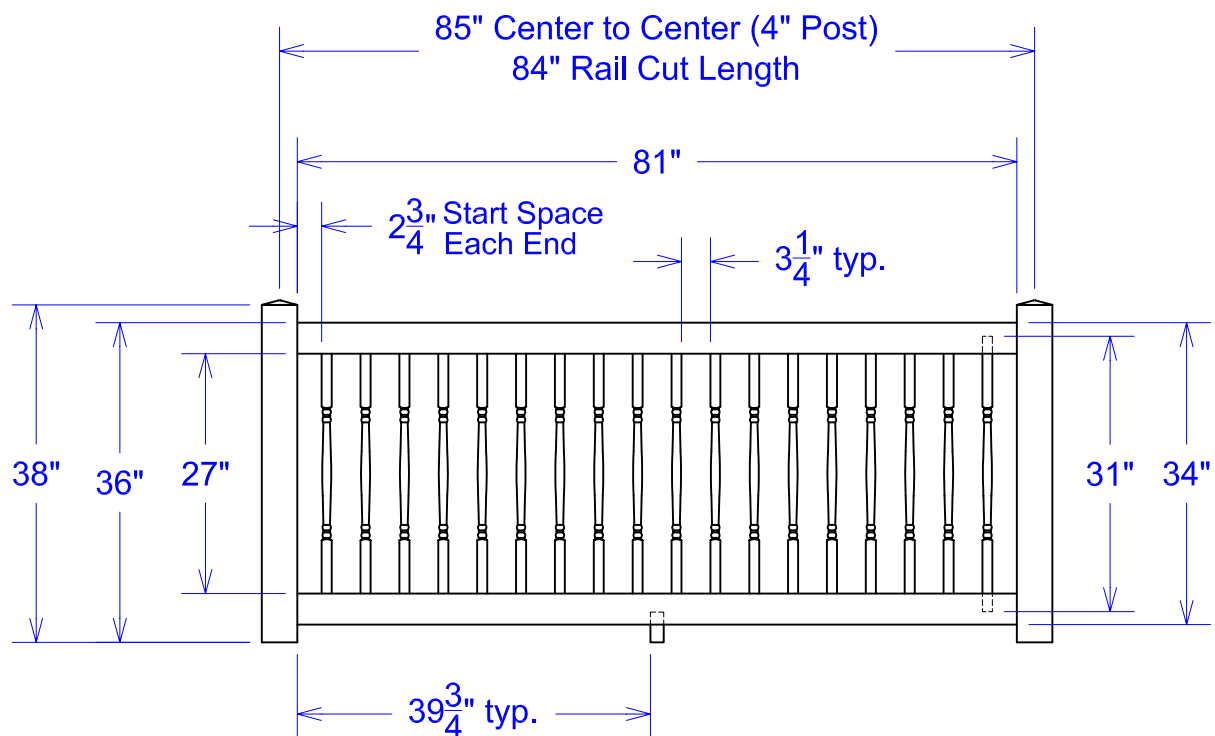
**Top Rail  
End View**



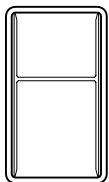
**Top T-Rail  
End View**



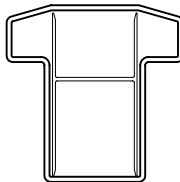
**Bottom Rail  
End View**



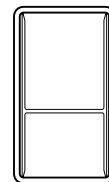
Material per 7' section.		
Qty	Item	Dimension
2	Rails	2" x 3-1/2" x 84"
2	"H" Channels	1-11/16" x 3-1/4" x 84"
1	Rail Support	1-1/2" x 1-1/2" x 3-3/8"
18	Pickets	1-1/8" x 1-1/8" x 31"



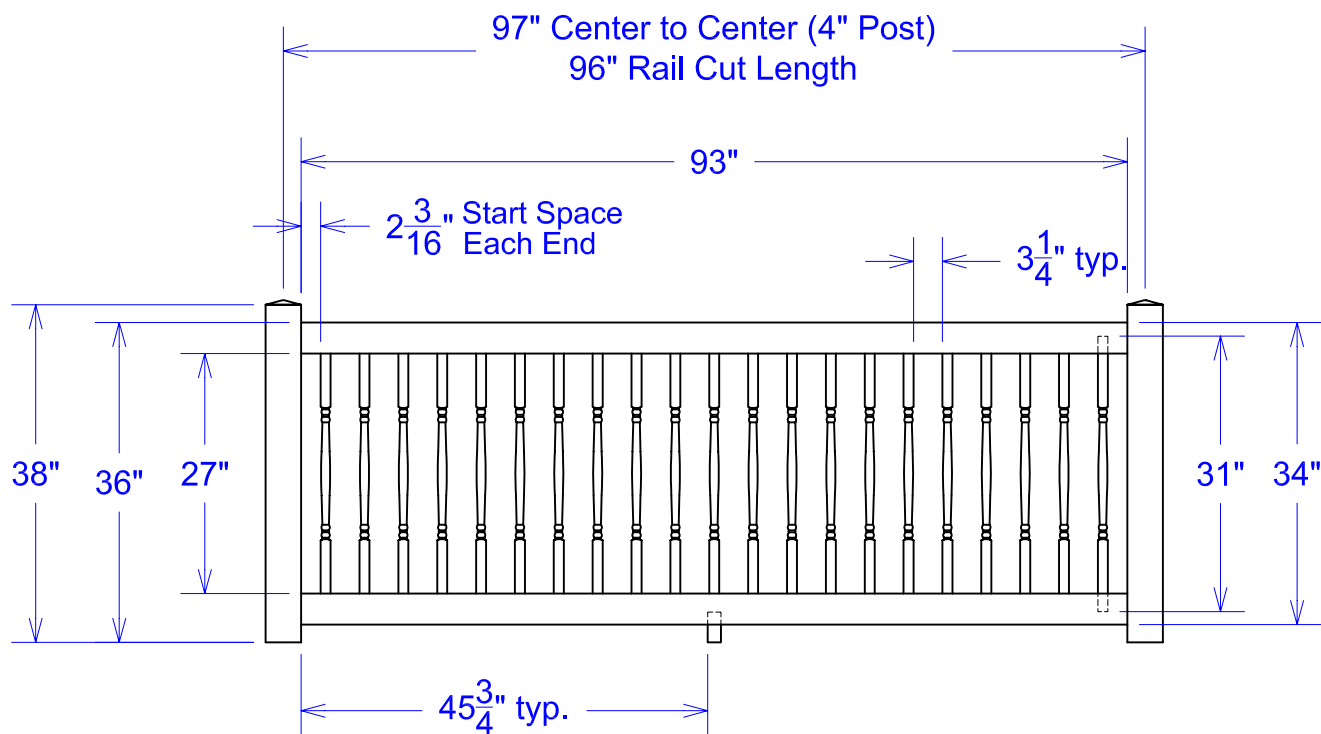
**Top Rail**  
**End View**



**Top T-Rail**  
**End View**

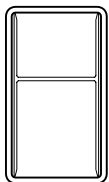


**Bottom Rail**  
**End View**

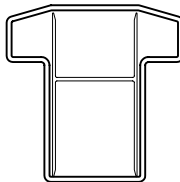


Material per 8' section.

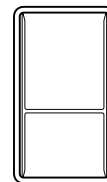
Qty	Item	Dimension
2	Rails	2" x 3-1/2" x 96"
2	"H" Channels	1-11/16" x 3-1/4" x 96"
1	Rail Support	1-1/2" x 1-1/2" x 3-3/8"
21	Pickets	1-1/8" x 1-1/8" x 31"



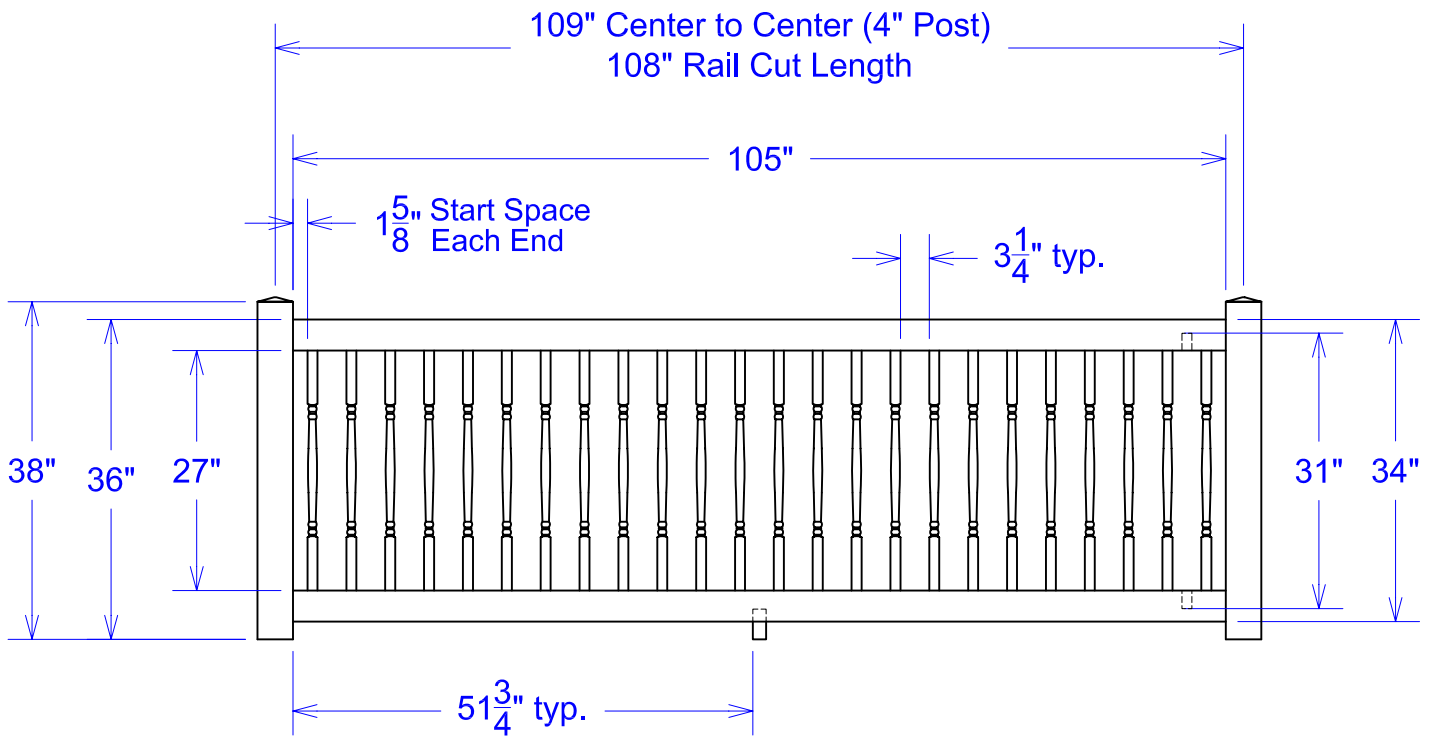
**Top Rail**  
**End View**



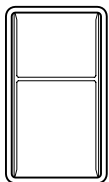
**Top T-Rail**  
**End View**



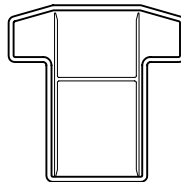
**Bottom Rail**  
**End View**



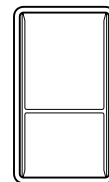
Material per 9' section.		
Qty	Item	Dimension
2	Rails	2" x 3-1/2" x 108"
2	"H" Channels	1-11/16" x 3-1/4" x 108"
1	Rail Support	1-1/2" x 1-1/2" x 3-3/8"
24	Pickets	1-1/8" x 1-1/8" x 31"



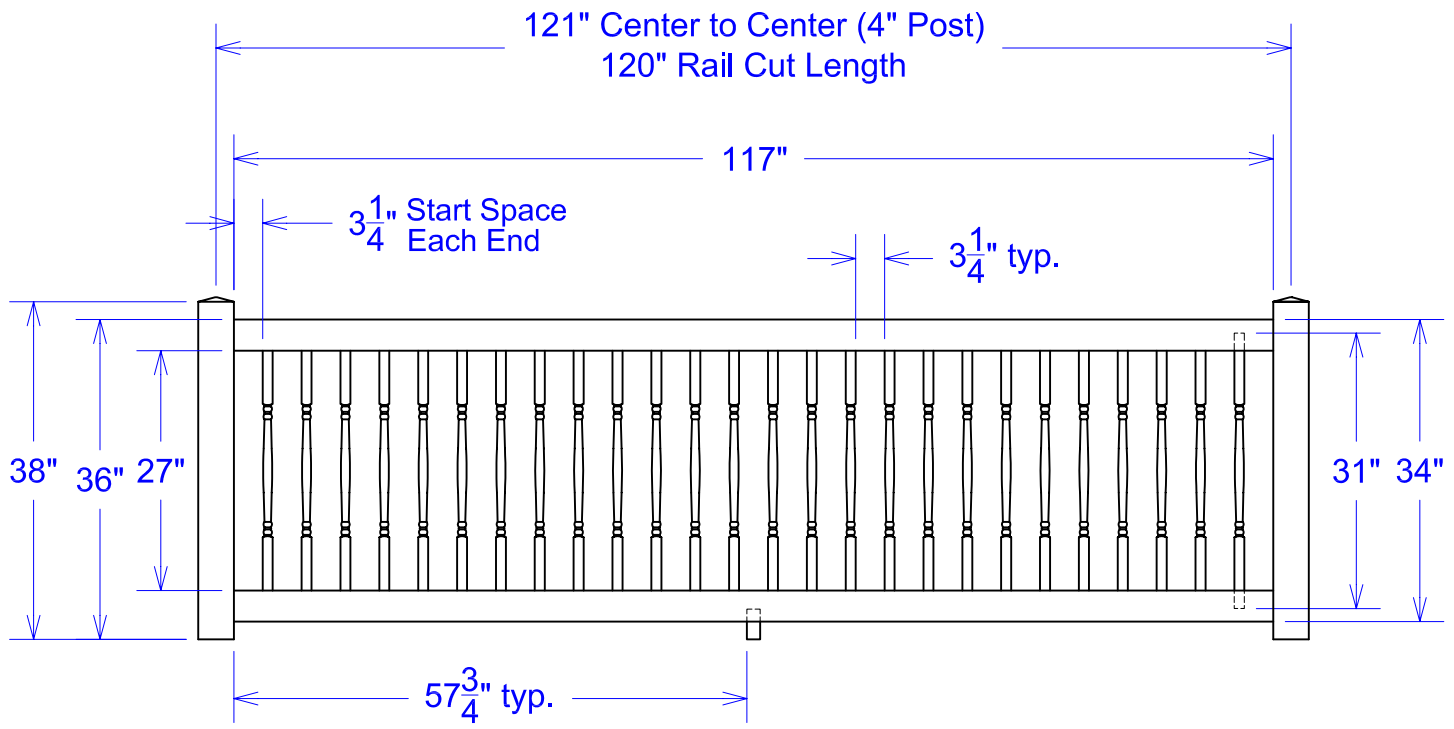
**Top Rail**  
**End View**



**Top T-Rail**  
**End View**

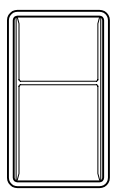


**Bottom Rail**  
**End View**

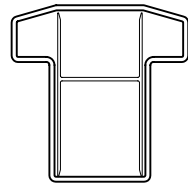


**Material per 10' section.**

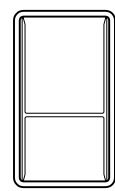
Qty	Item	Dimension
2	Rails	2" x 3-1/2" x 120"
2	"H" Channels	1-11/16" x 3-1/4" x 120"
1	Rail Support	1-1/2" x 1-1/2" x 3-3/8"
26	Pickets	1-1/8" x 1-1/8" x 31"



**Top Rail  
End View**



**Top T-Rail  
End View**



**Bottom Rail  
End View**

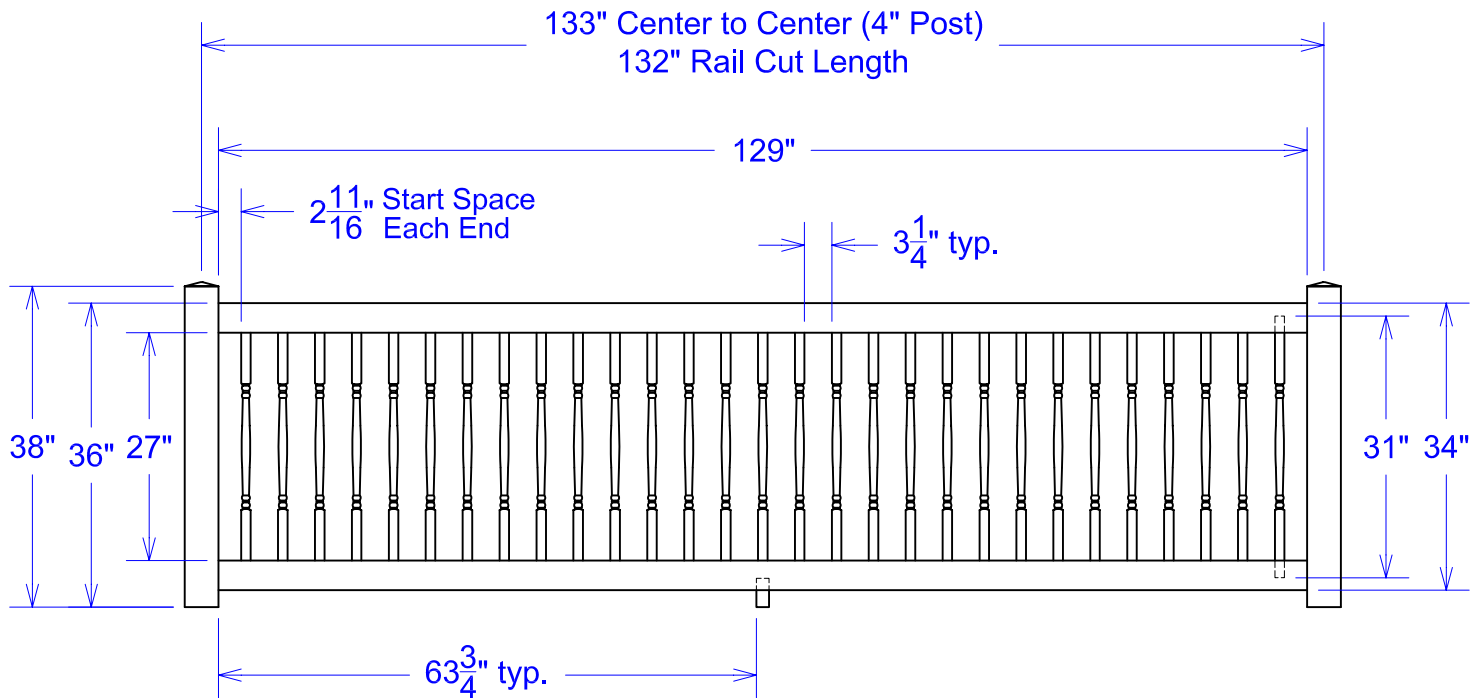


**894 Prairie Avenue  
Wilmington, Ohio 45177**  
 Phone: (937) 383-2004 Fax: (937) 383-2022

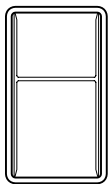
Drawn By:  
A.G.Bailey

Colonial  
Residential Railing  
3' x 10' Section

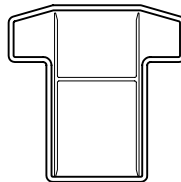
Scale:  
NTS  
Date:  
5/25/01



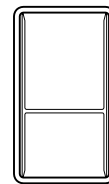
Material per 11' section.		
Qty	Item	Dimension
2	Rails	2" x 3-1/2" x 132"
2	"H" Channels	1-11/16" x 3-1/4" x 132"
1	Rail Support	1-1/2" x 1-1/2" x 3-3/8"
29	Pickets	1-1/8" x 1-1/8" x 31"



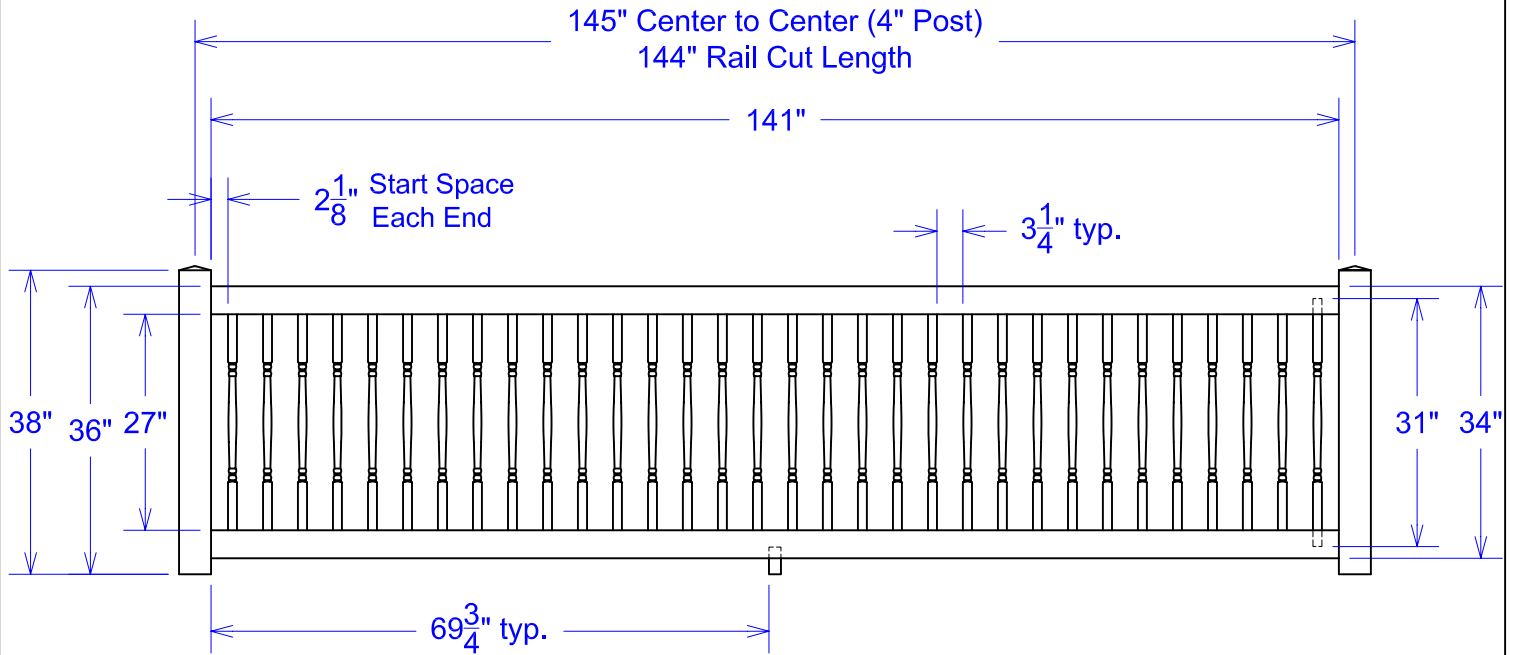
**Top Rail  
End View**



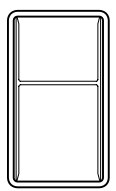
**Top T-Rail  
End View**



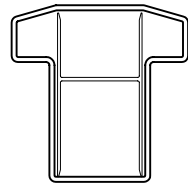
**Bottom Rail  
End View**



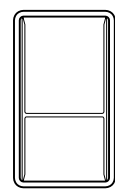
Material per 12' section.		
Qty	Item	Dimension
2	Rails	2" x 3-1/2" x 144"
2	"H" Channels	1-11/16" x 3-1/4" x 144"
1	Rail Support	1-1/2" x 1-1/2" x 3-3/8"
32	Pickets	1-1/8" x 1-1/8" x 31"



**Top Rail**  
**End View**



**Top T-Rail**  
**End View**



**Bottom Rail**  
**End View**



894 Prairie Avenue  
Wilmington, Ohio 45177  
Phone: (937) 383-2004 Fax: (937) 383-2022

Drawn By:  
A.G. Bailey

Colonial  
Residential Railing  
3' x 12' Section

Scale:  
NTS  
Date:  
5/25/01