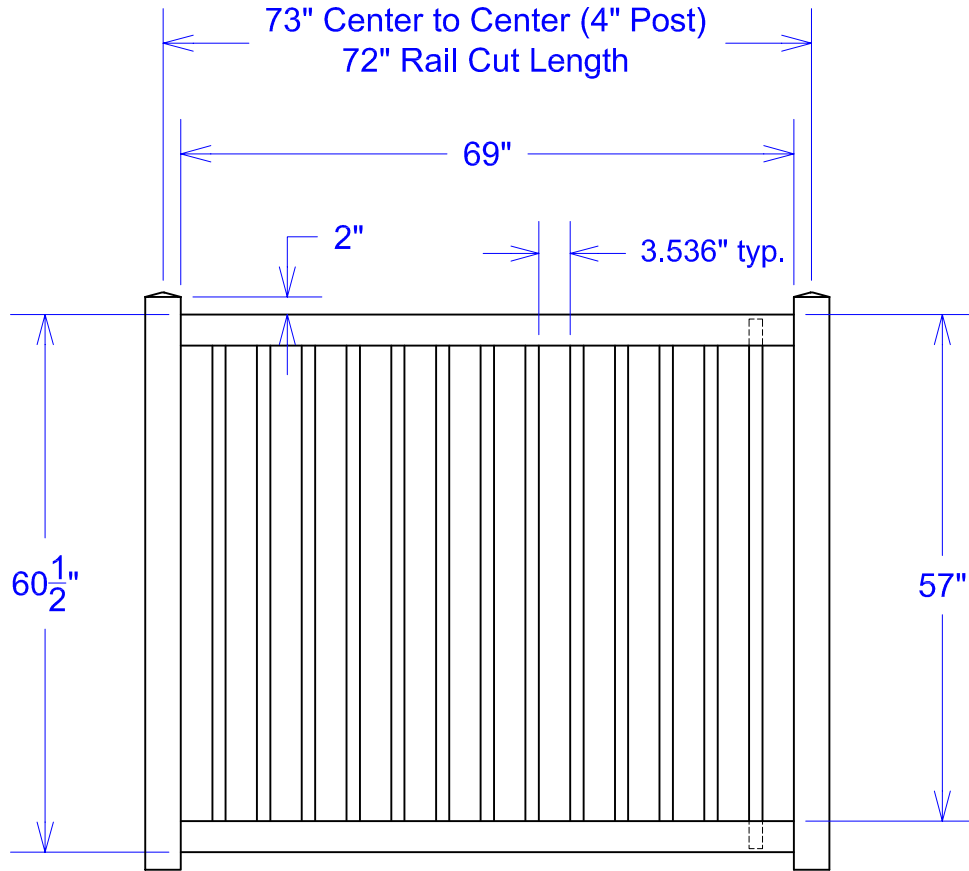


Material per 6' section.		
Qty	Item	Dimension
2	Rails	2" x 3-1/2" x 72"
1	"J" Channel	18 Ga. Galvanized x 72"
13	Pickets	7/8" x 1-1/2" x 48-1/8"



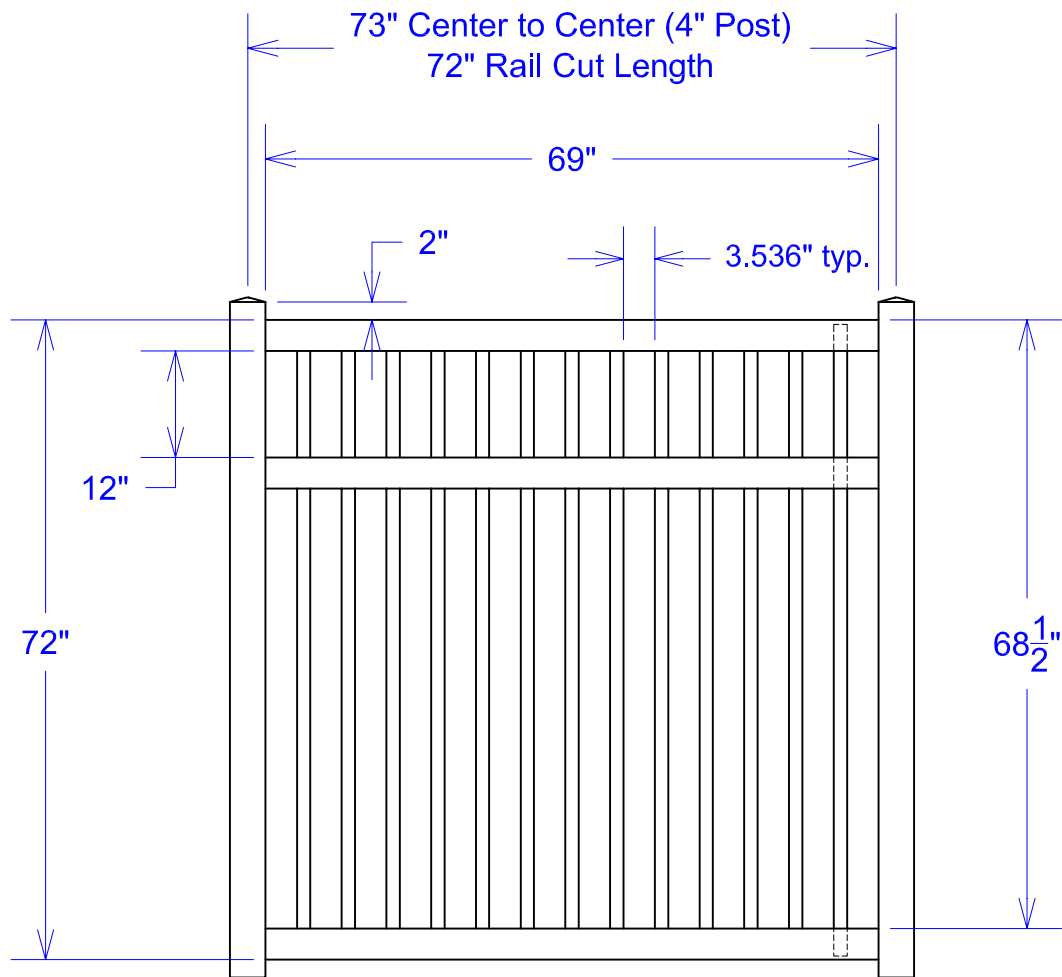
**Bottom Rail
End View**



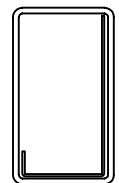
Material per 6' section.		
Qty	Item	Dimension
2	Rails	2" x 3-1/2" x 72"
1	"J" Channel	18 Ga. Galvanized x 72"
13	Pickets	7/8" x 1-1/2" x 60-1/8"



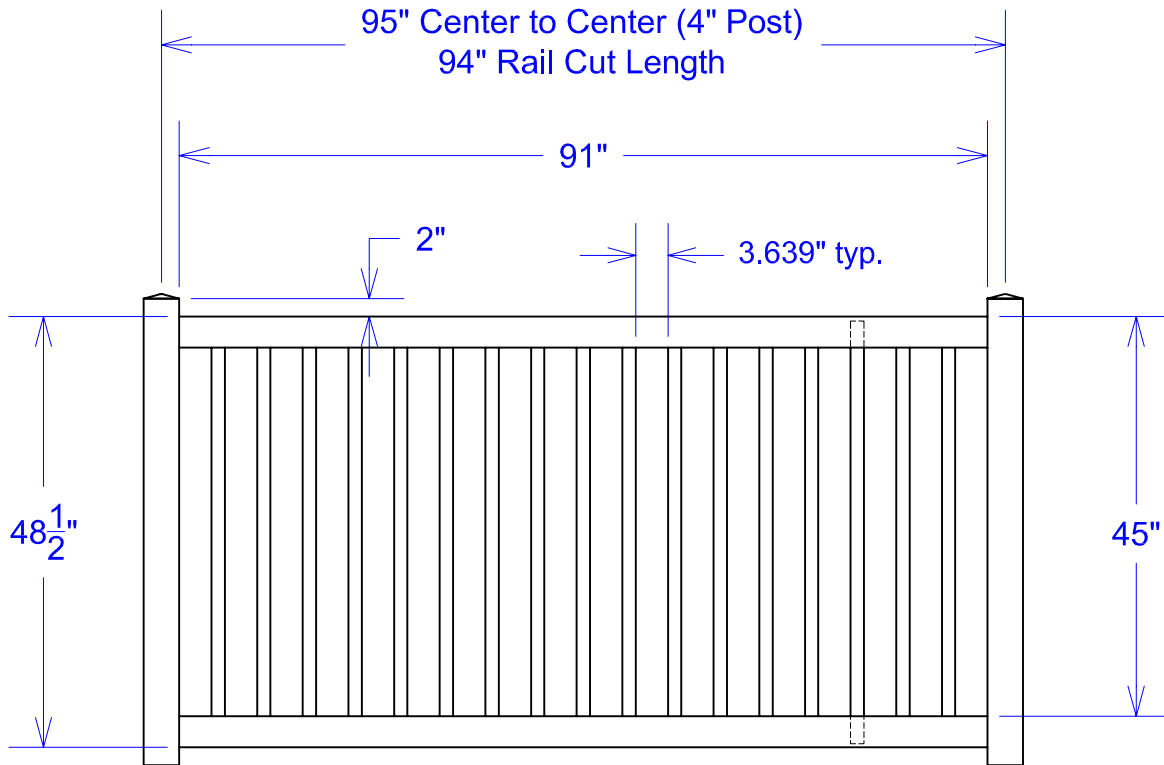
**Bottom Rail
End View**



Material per 6' section.		
Qty	Item	Dimension
3	Rails	2" x 3-1/2" x 72"
1	"J" Channel	18 Ga. Galvanized x 72"
13	Pickets	7/8" x 1-1/2" x 71-5/8"



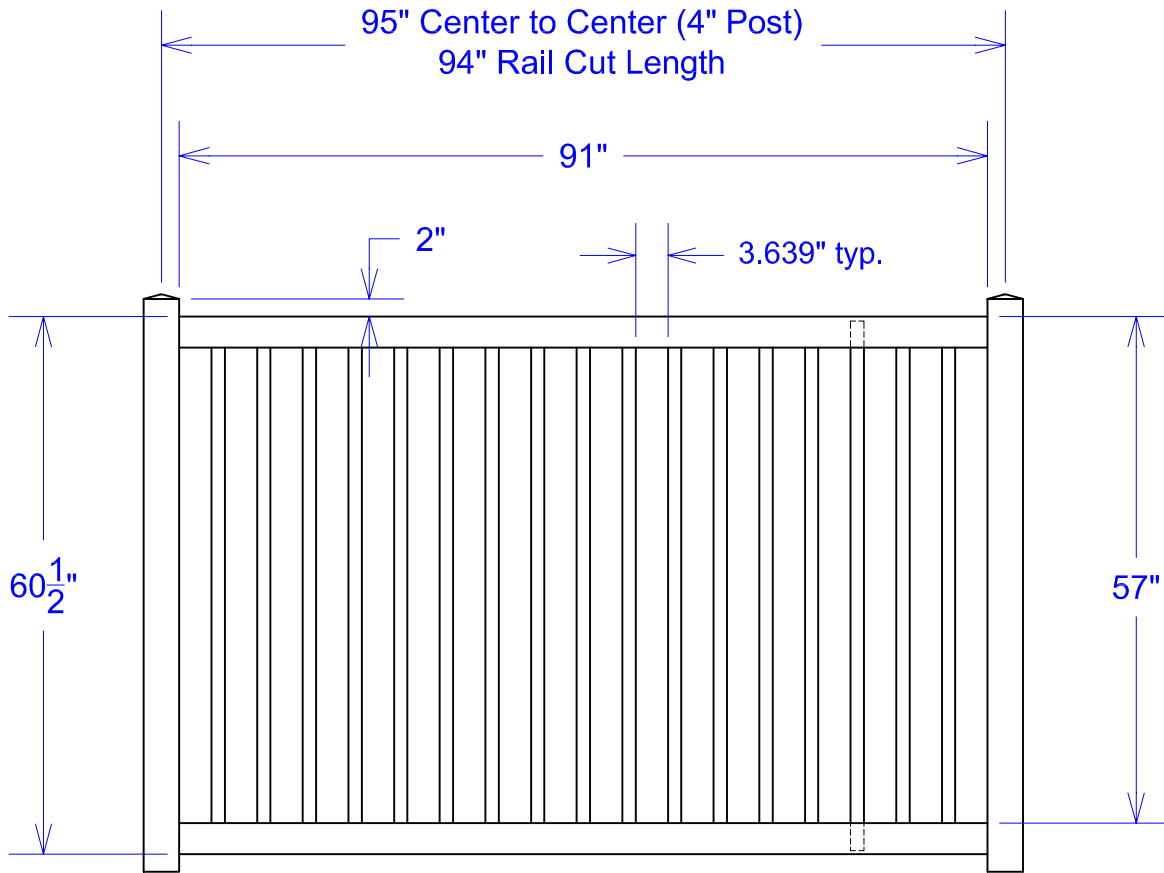
**Bottom Rail
End View**



Material per 8' section.		
Qty	Item	Dimension
2	Rails	2" x 3-1/2" x 94"
1	"J" Channel	18 Ga. Galvanized x 94"
17	Pickets	7/8" x 1-1/2" x 48-1/8"



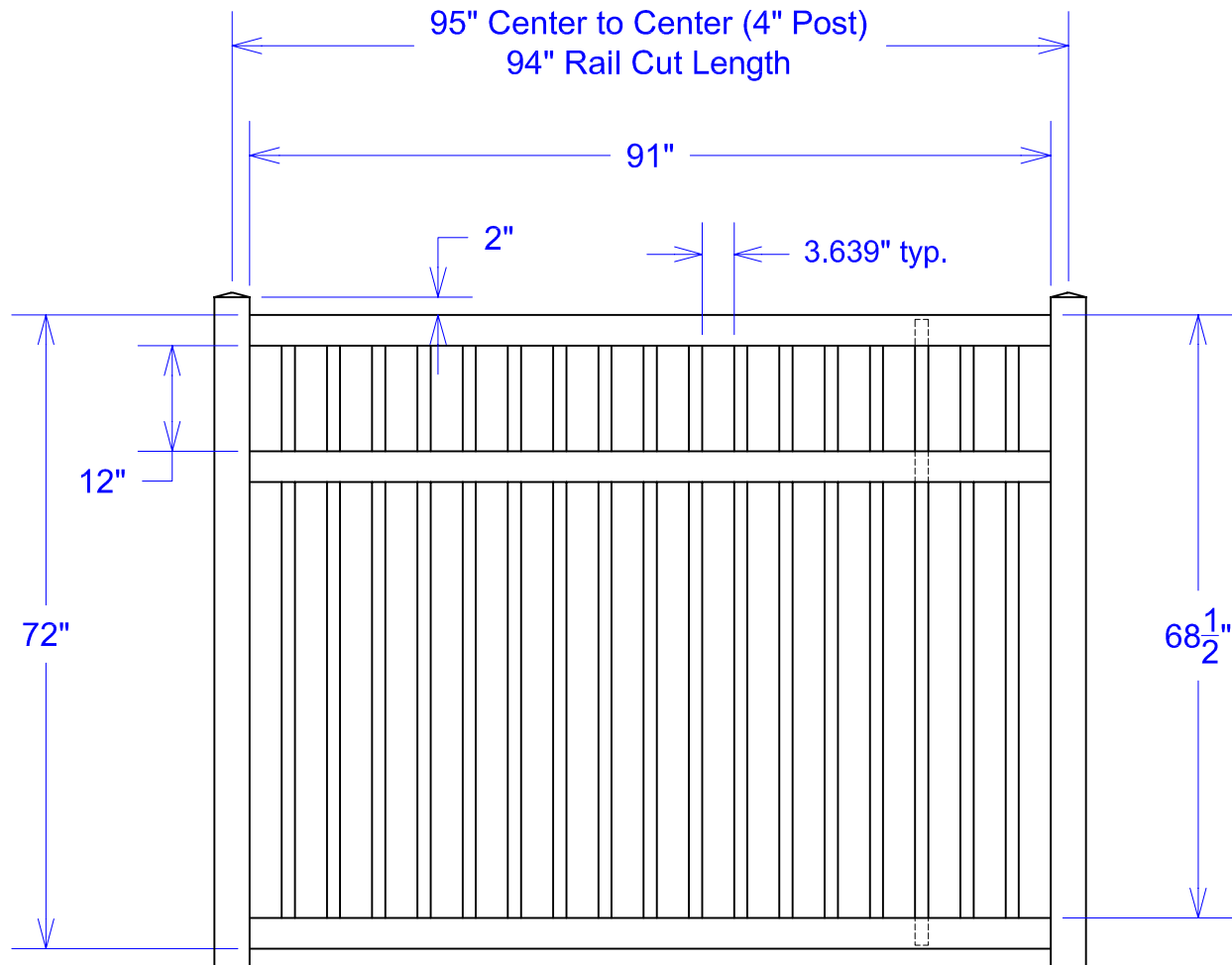
**Bottom Rail
End View**



Material per 8' section.		
Qty	Item	Dimension
2	Rails	2" x 3-1/2" x 94"
1	"J" Channel	18 Ga. Galvanized x 94"
17	Pickets	7/8" x 1-1/2" x 60-1/8"

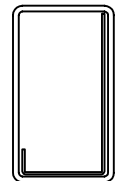


**Bottom Rail
End View**



Material per 8' section.

Qty	Item	Dimension
3	Rails	2" x 3-1/2" x 94"
1	"J" Channel	18 Ga. Galvanized x 94"
17	Pickets	7/8" x 1-1/2" x 71-5/8"



Bottom Rail
End View