

Maximum
Vinyl Fence and Railing Systems
A Division of Vinyl Visions, Ltd

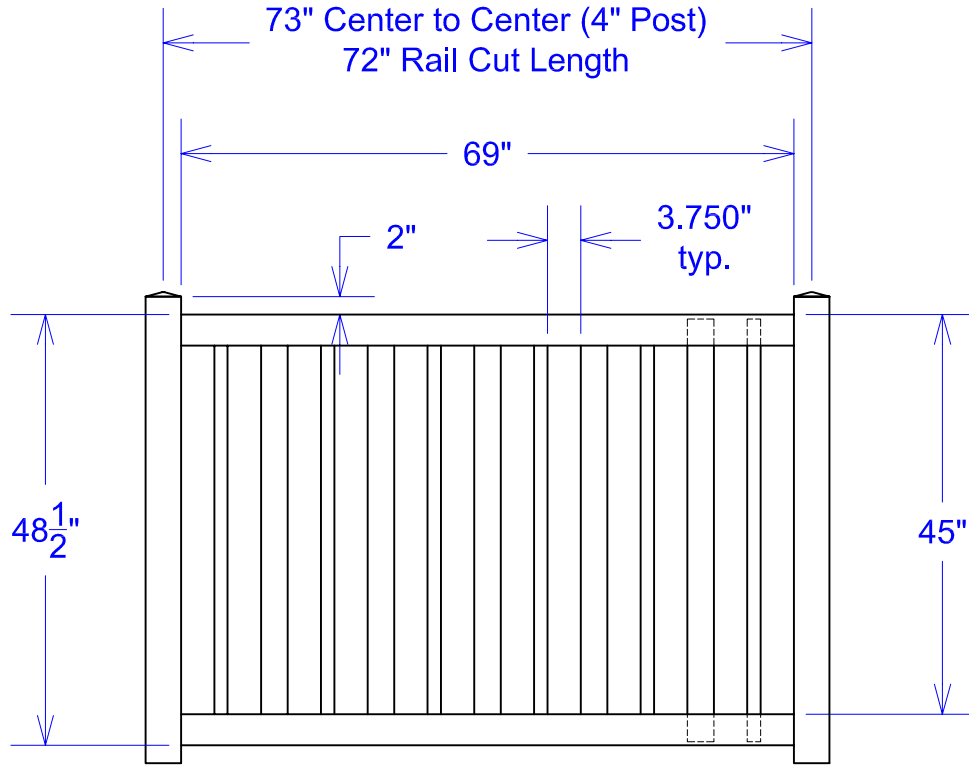
894 Prairie Avenue
Wilmington, Ohio 45177

Phone: (937) 383-2004 Fax: (937) 383-2022

Drawn By:
A.G. Bailey

Contemporary Pool with
Alternating 1 1/2" & 3" Pickets

Scale:
NTS
Date:
6/04/01



Material per 6' section.		
Qty	Item	Dimension
2	Rails	2" x 3-1/2" x 72"
1	"J" Channel	18 Ga. Galvanized x 72"
5	Pickets	7/8" x 3" x 48-1/8"
6	Pickets	7/8" x 1-1/2" x 48-1/8"



**Bottom Rail
End View**



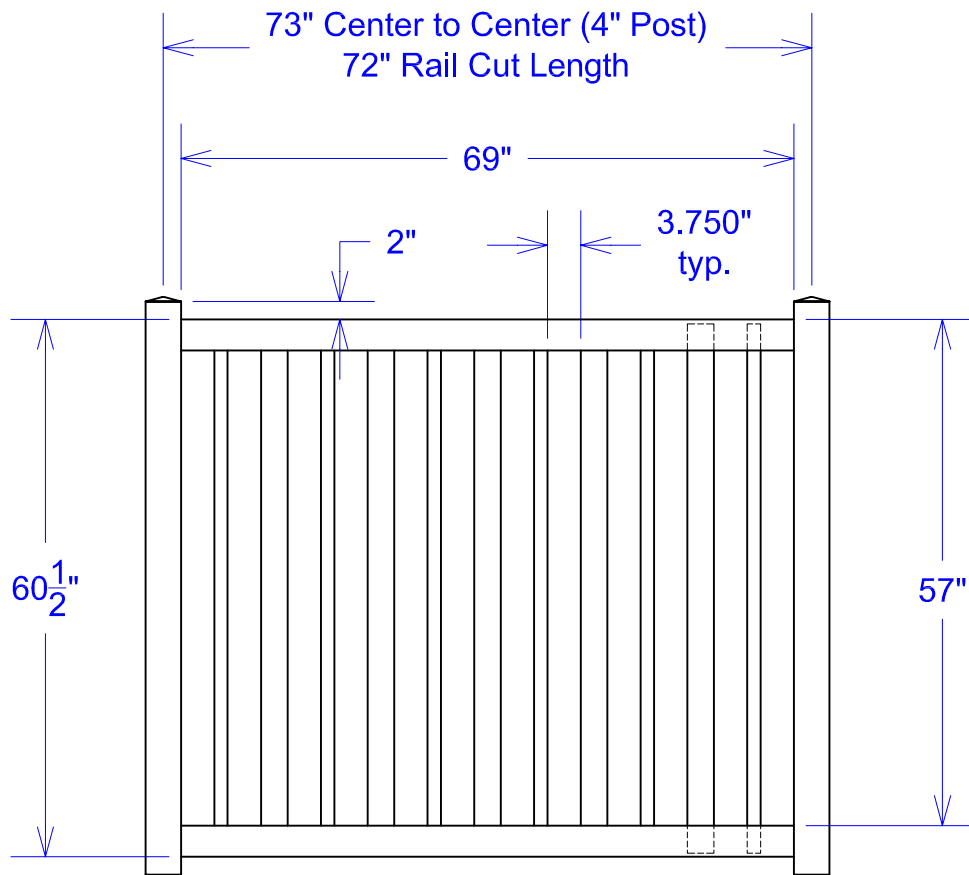
894 Prairie Avenue
Wilmington, Ohio 45177

Phone: (937) 383-2004 Fax: (937) 383-2022

Drawn By:
A.G. Bailey

Contemporary Pool
Alternating 1 1/2"
& 3" Pickets
4' x 6' Section

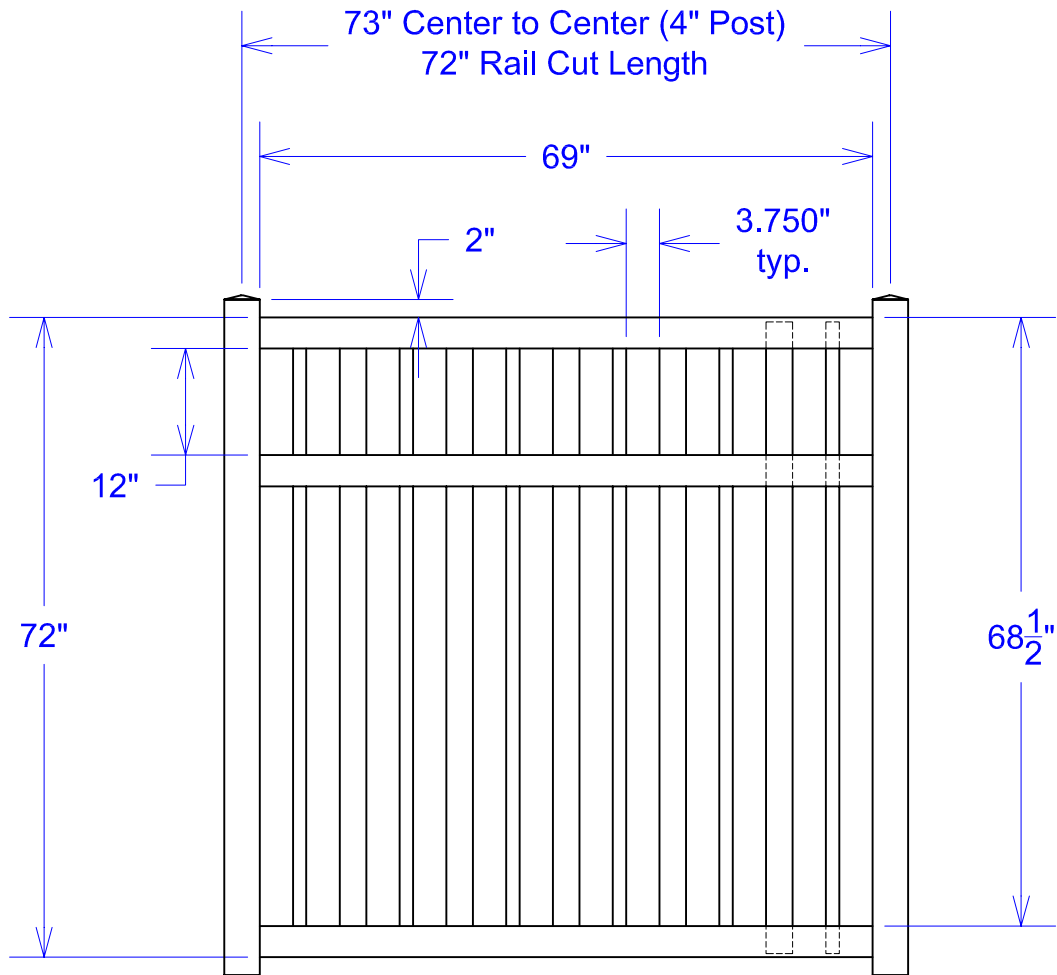
Scale:
NTS
Date:
4/30/01



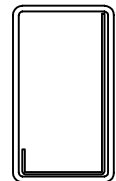
Material per 6' section.		
Qty	Item	Dimension
2	Rails	2" x 3-1/2" x 72"
1	"J" Channel	18 Ga. Galvanized x 72"
5	Pickets	7/8" x 3" x 60-1/8"
6	Pickets	7/8" x 1-1/2" x 60-1/8"



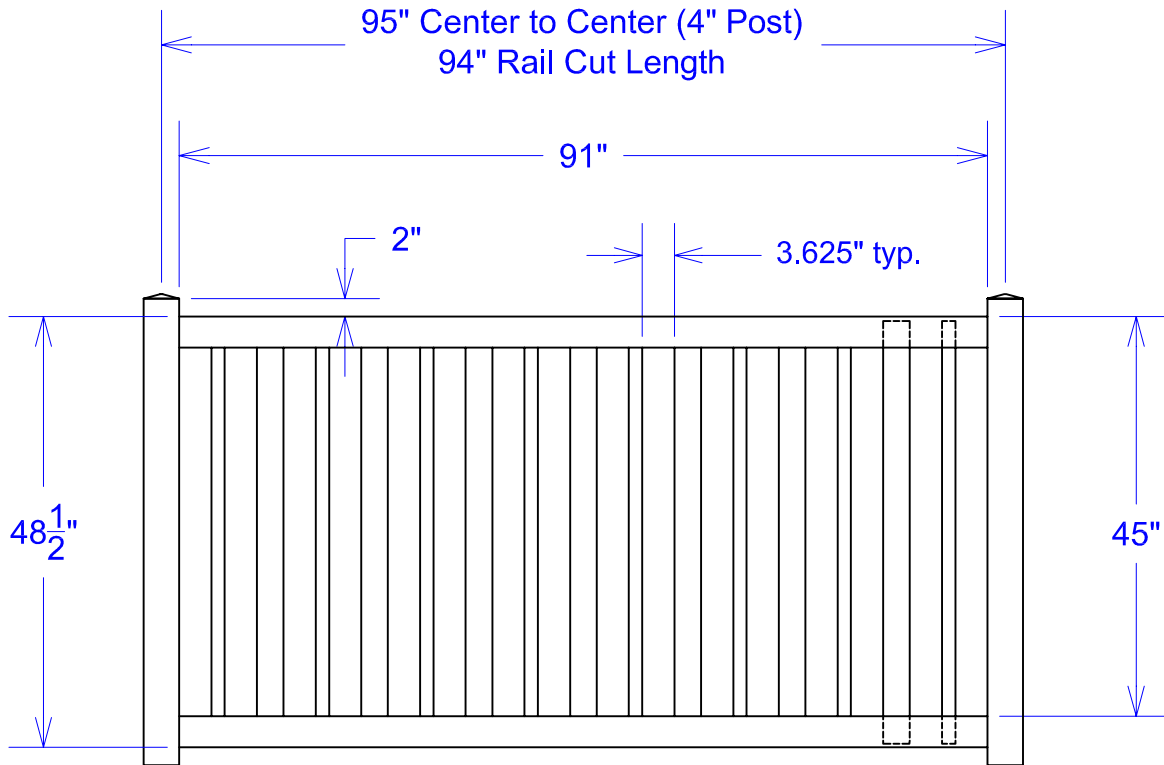
**Bottom Rail
End View**



Material per 6' section.		
Qty	Item	Dimension
3	Rails	2" x 3-1/2" x 72"
1	"J" Channel	18 Ga. Galvanized x 72"
5	Pickets	7/8" x 3" x 71-5/8"
6	Pickets	7/8" x 1-1/2" x 71-5/8"



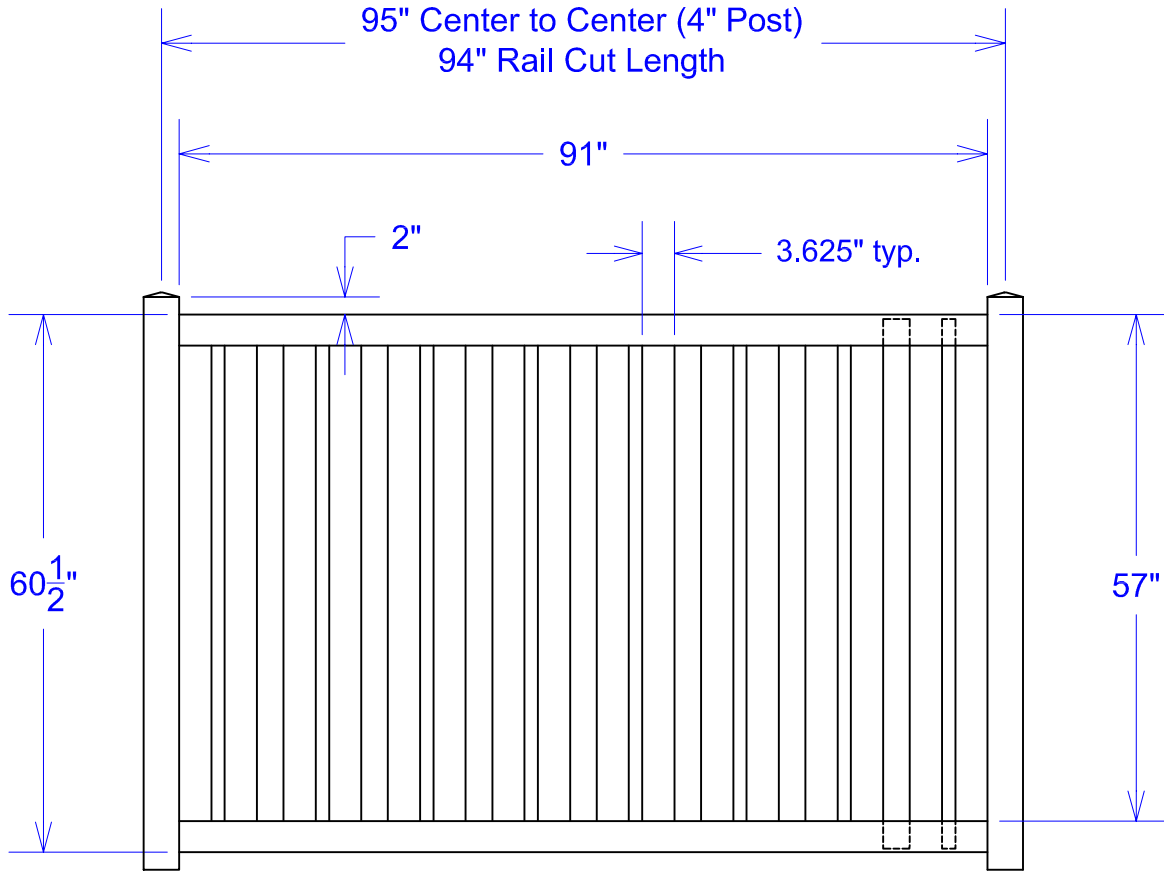
**Bottom Rail
End View**



Material per 8' section.		
Qty	Item	Dimension
2	Rails	2" x 3-1/2" x 94"
1	"J" Channel	18 Ga. Galvanized x 94"
7	Pickets	7/8" x 3" x 48-1/8"
8	Pickets	7/8" x 1-1/2" x 48-1/8"



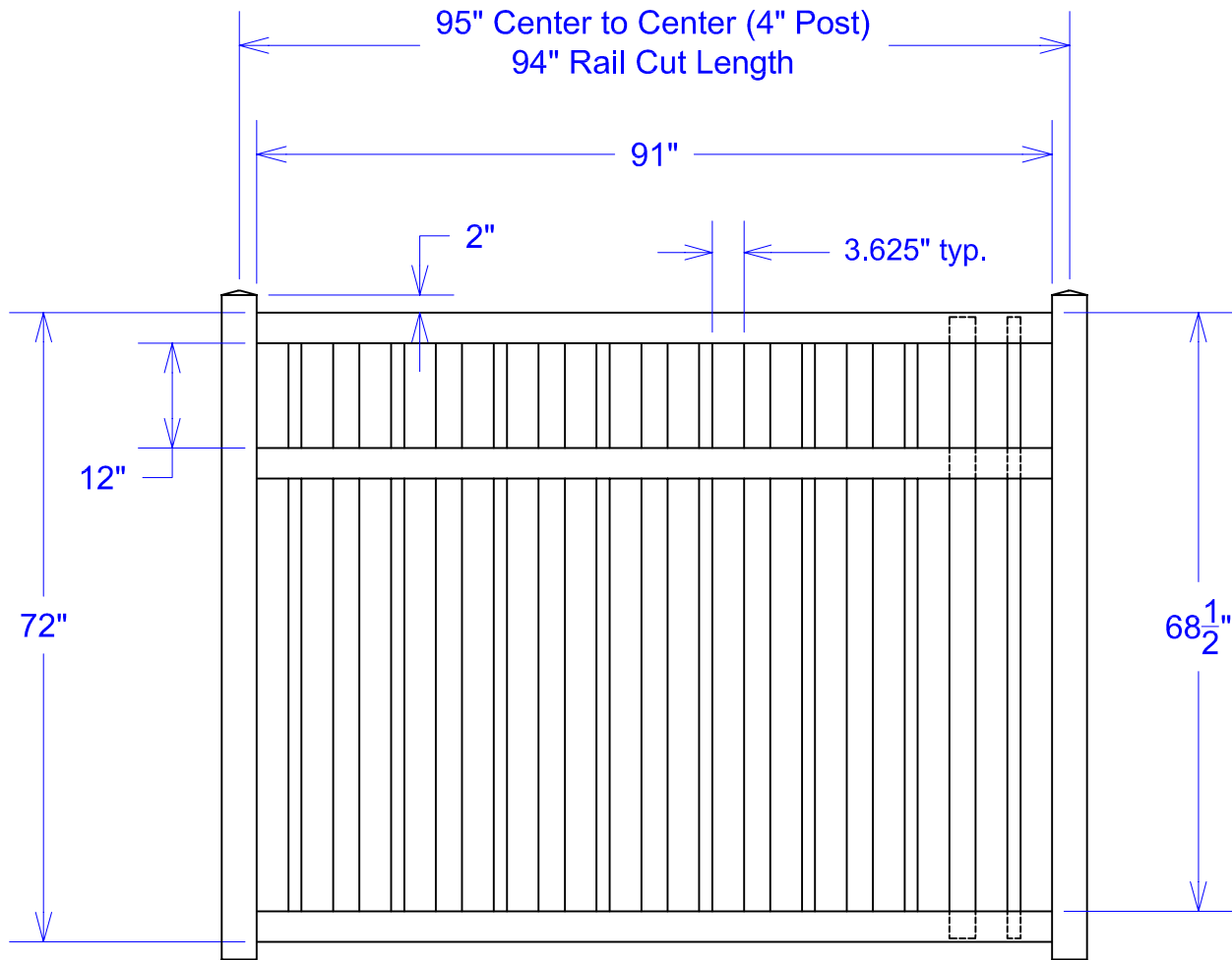
**Bottom Rail
End View**



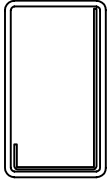
Material per 8' section.		
Qty	Item	Dimension
2	Rails	2" x 3-1/2" x 94"
1	"J" Channel	18 Ga. Galvanized x 94"
7	Pickets	7/8" x 3" x 60-1/8"
8	Pickets	7/8" x 1-1/2" x 60-1/8"



**Bottom Rail
End View**



Material per 8' section.		
Qty	Item	Dimension
3	Rails	2" x 3-1/2" x 94"
1	"J" Channel	18 Ga. Galvanized x 94"
7	Pickets	7/8" x 3" x 71-5/8"
8	Pickets	7/8" x 1-1/2" x 71-5/8"



**Bottom Rail
End View**



**894 Prairie Avenue
Wilmington, Ohio 45177**
 Phone: (937) 383-2004 Fax: (937) 383-2022

Drawn By:
A.G. Bailey

Contemporary Pool
 Alternating 1 1/2"
 & 3" Pickets
 6' x 8' Section

Scale:
 NTS
 Date:
 6/05/01