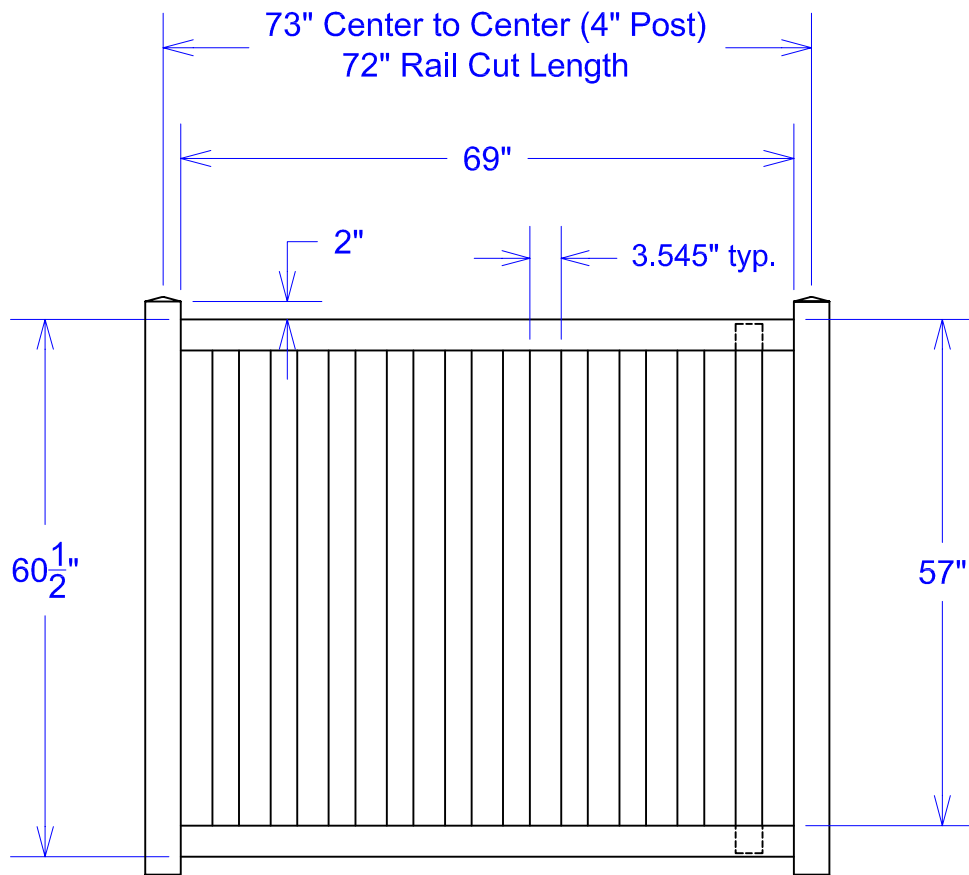


Material per 6' section.		
Qty	Item	Dimension
2	Rails	2" x 3-1/2" x 72"
1	"J" Channel	18 Ga. Galvanized x 72"
10	Pickets	7/8" x 3" x 48-1/8"



**Bottom Rail
End View**



Material per 6' section.		
Qty	Item	Dimension
2	Rails	2" x 3-1/2" x 72"
1	"J" Channel	18 Ga. Galvanized x 72"
10	Pickets	7/8" x 3" x 60-1/8"



**Bottom Rail
End View**



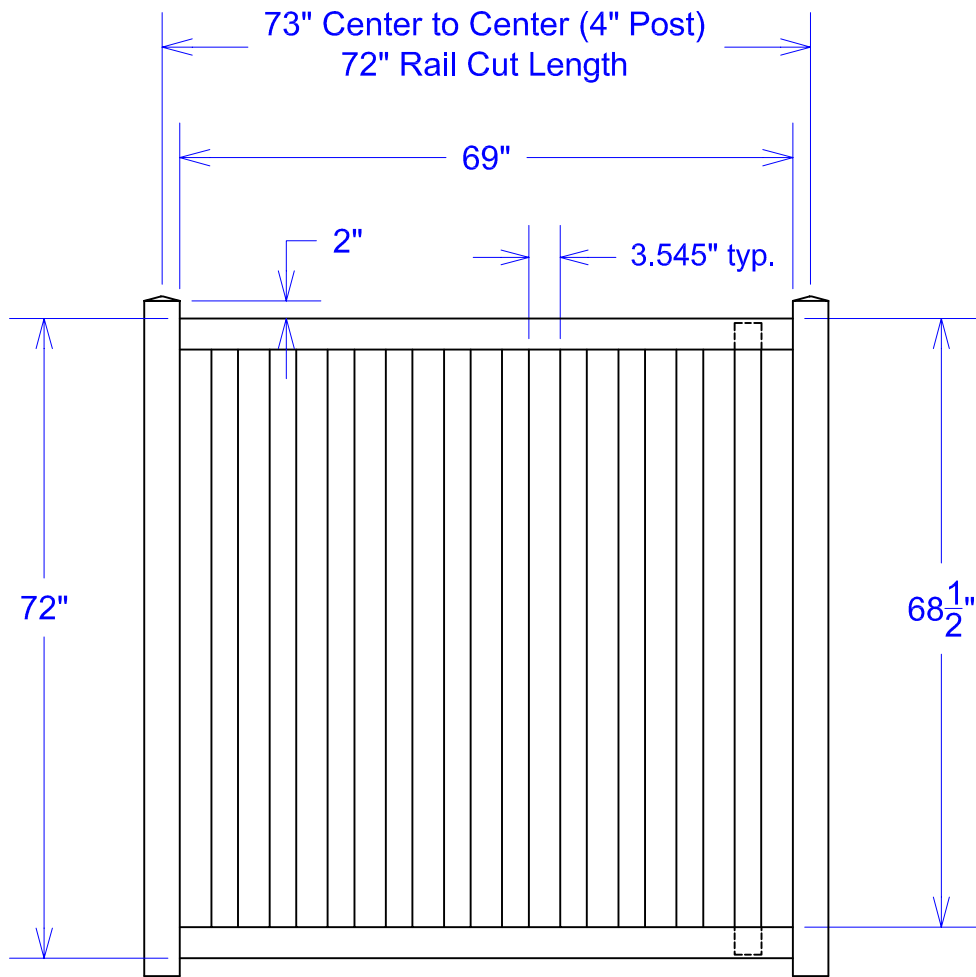
894 Prairie Avenue
Wilmington, Ohio 45177

Phone: (937) 383-2004 Fax: (937) 383-2022

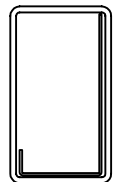
Drawn By:
A.G.Bailey

Contemporary Pool
3" Picket
Wide Space
5' x 6' Section

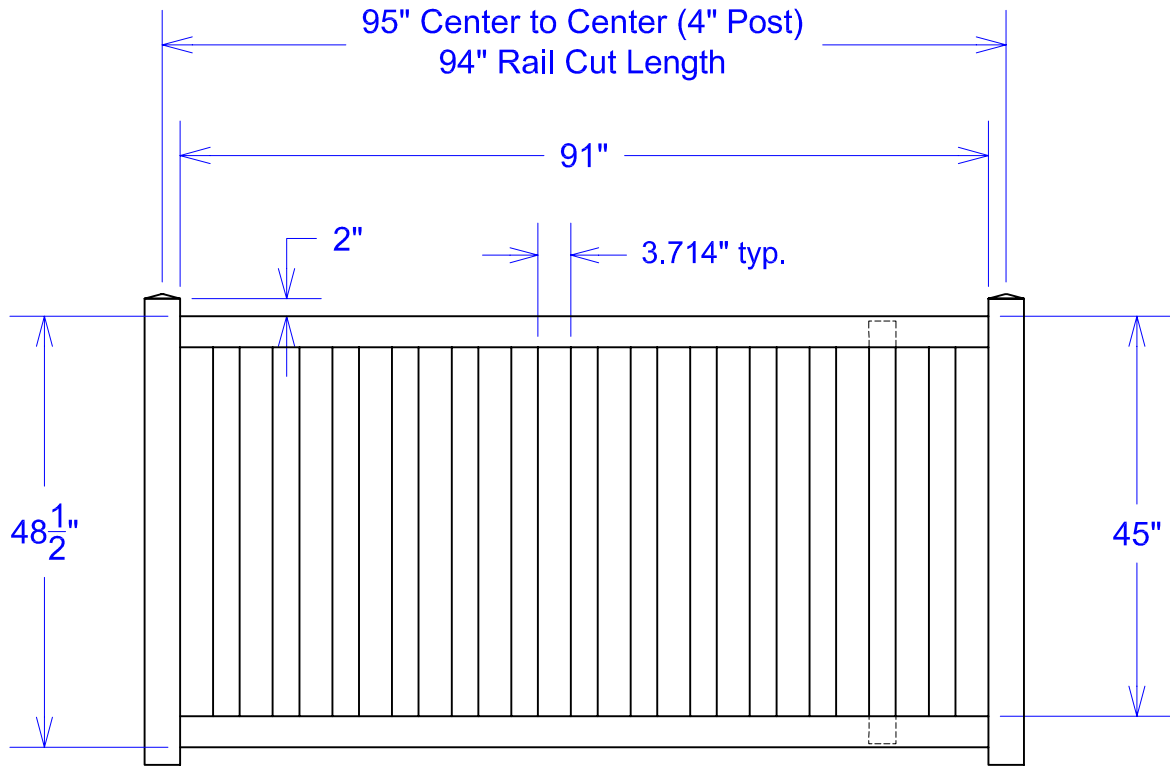
Scale:
NTS
Date:
6/04/01



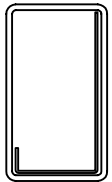
Material per 6' section.		
Qty	Item	Dimension
2	Rails	2" x 3-1/2" x 72"
1	"J" Channel	18 Ga. Galvanized x 72"
10	Pickets	7/8" x 3" x 71-5/8"



**Bottom Rail
End View**



Material per 8' section.		
Qty	Item	Dimension
2	Rails	2" x 3-1/2" x 94"
1	"J" Channel	18 Ga. Galvanized x 94"
13	Pickets	7/8" x 3" x 48-1/8"



**Bottom Rail
End View**



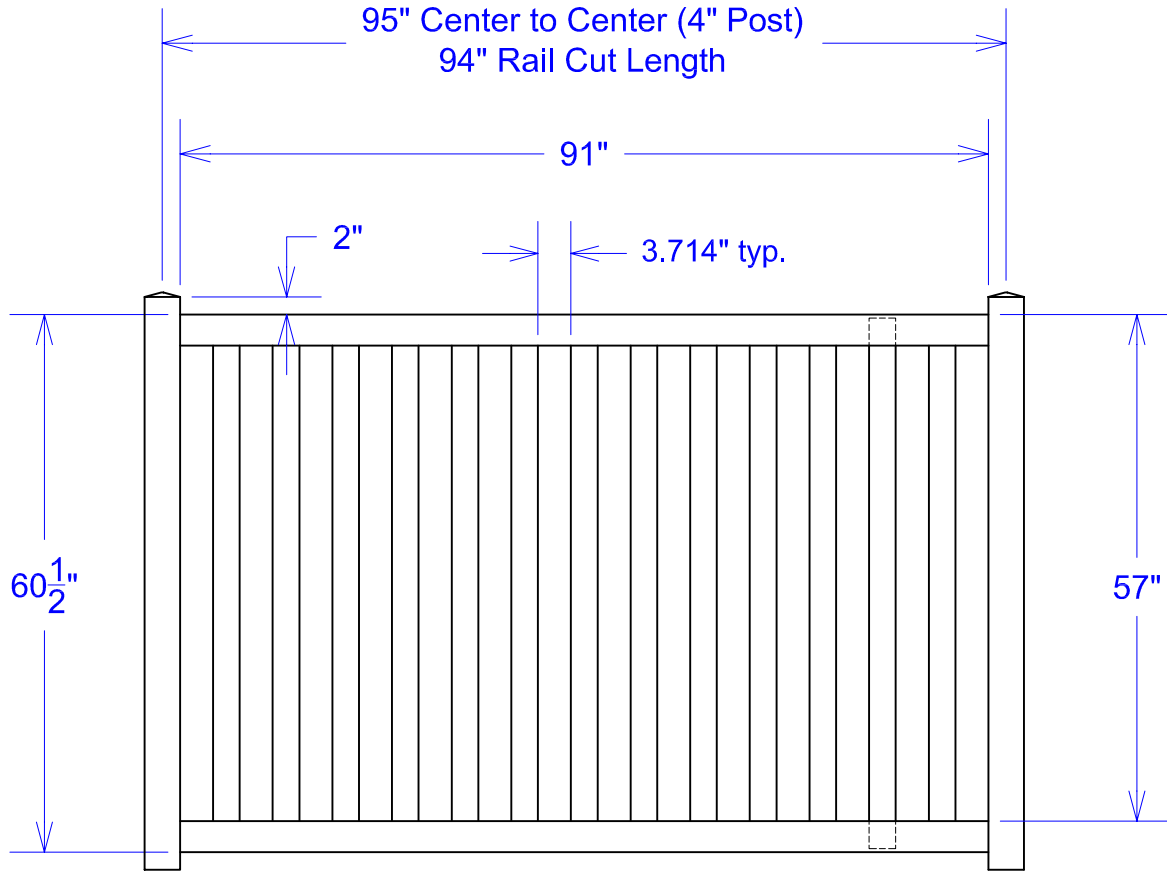
**894 Prairie Avenue
Wilmington, Ohio 45177**

Phone: (937) 383-2004 Fax: (937) 383-2022

Drawn By:
A.G. Bailey

Contemporary Pool
3" Picket
Wide Space
4' x 8' Section

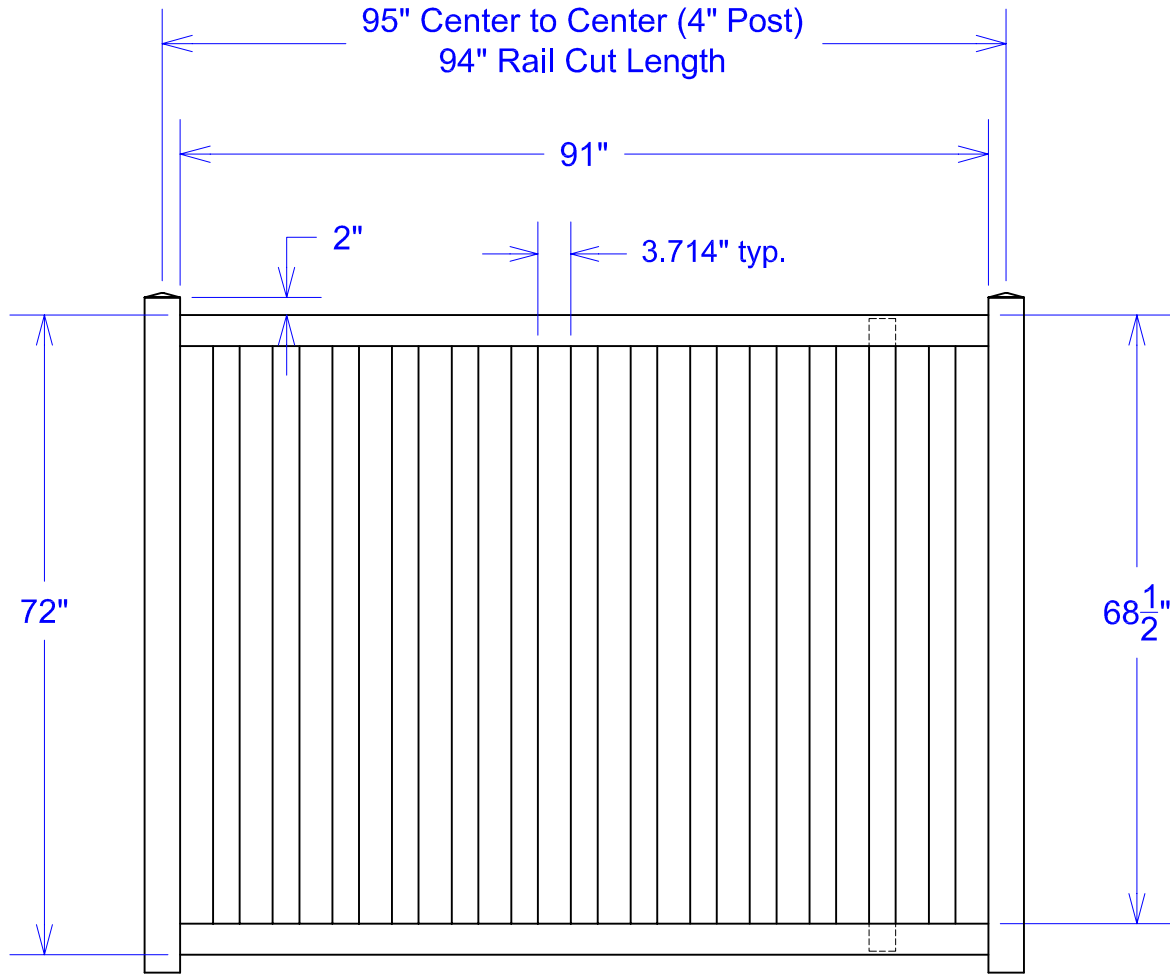
Scale:
NTS
Date:
4/30/01



Material per 8' section.		
Qty	Item	Dimension
2	Rails	2" x 3-1/2" x 94"
1	"J" Channel	18 Ga. Galvanized x 94"
13	Pickets	7/8" x 3" x 60-1/8"



**Bottom Rail
End View**



Material per 8' section.		
Qty	Item	Dimension
2	Rails	2" x 3-1/2" x 94"
1	"J" Channel	18 Ga. Galvanized x 94"
13	Pickets	7/8" x 3" x 71-5/8"



**Bottom Rail
End View**