

Glue Post Cap to Post
(Internal Cap Shown)

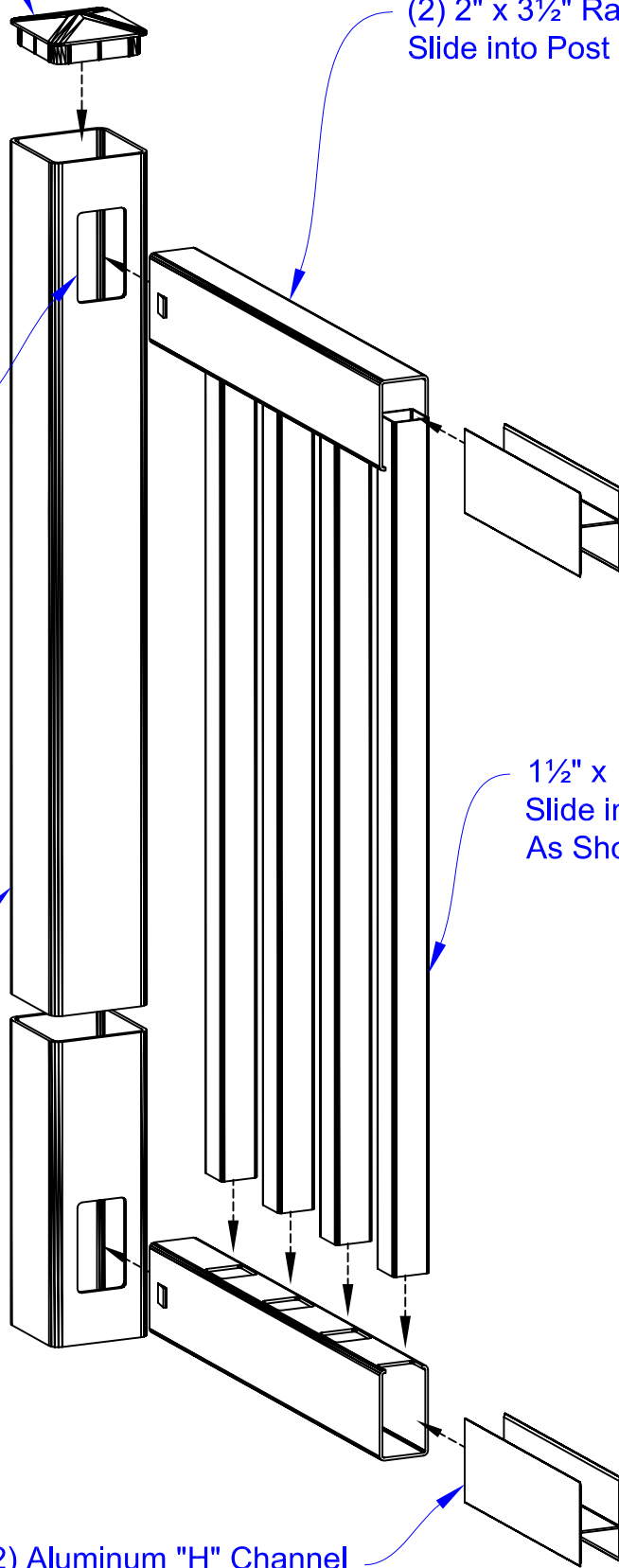
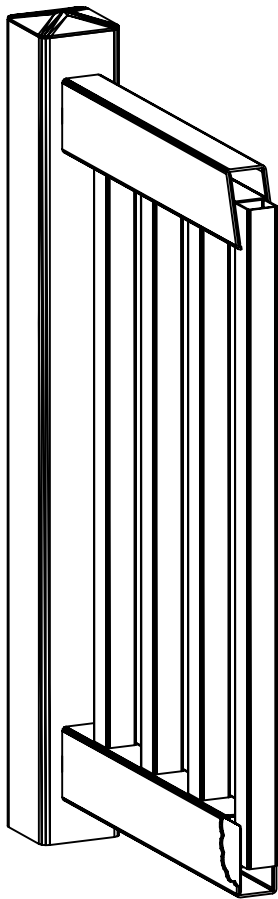
(2) 2" x 3½" Rail
Slide into Post 1½"

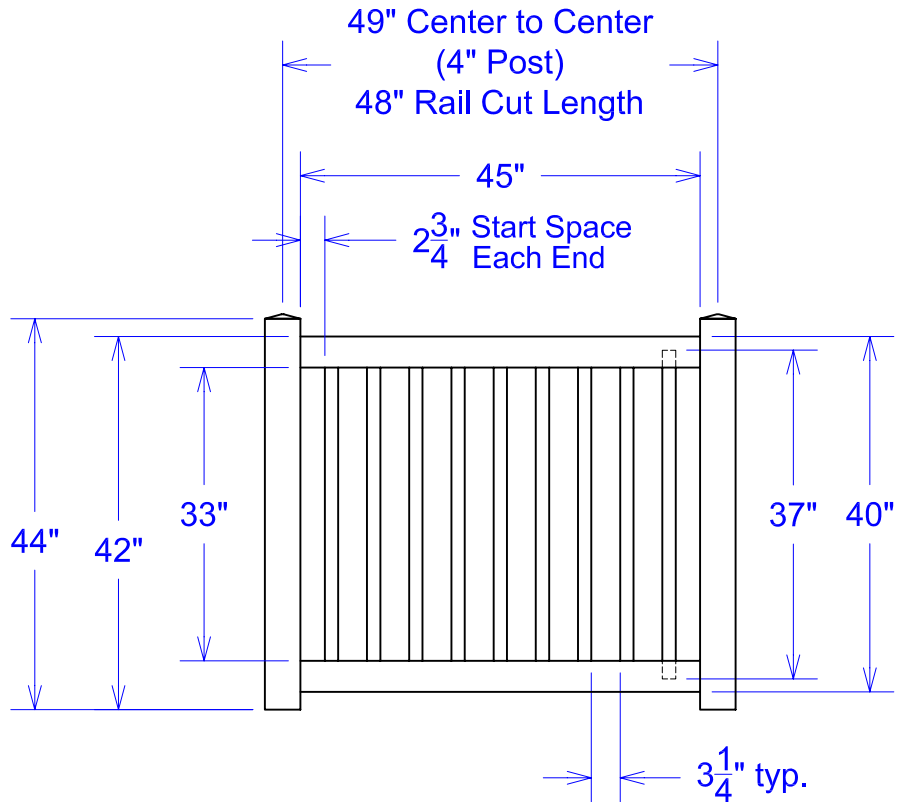
2" x 3½" Hole for
Rail in the Post (TYP)
Locate as Shown

1½" x 1½" Picket
Slide into Rails
As Shown.

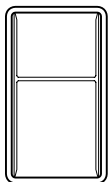
4" x 4" Post

(2) Aluminum "H" Channel

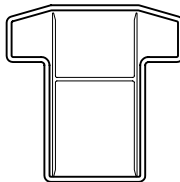




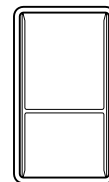
Material per 4' section.		
Qty	Item	Dimension
2	Rails	2" x 3-1/2" x 48"
2	"H" Channels	1-11/16" x 3-1/4" x 48"
9	Pickets	1-1/2" x 1-1/2" x 37"



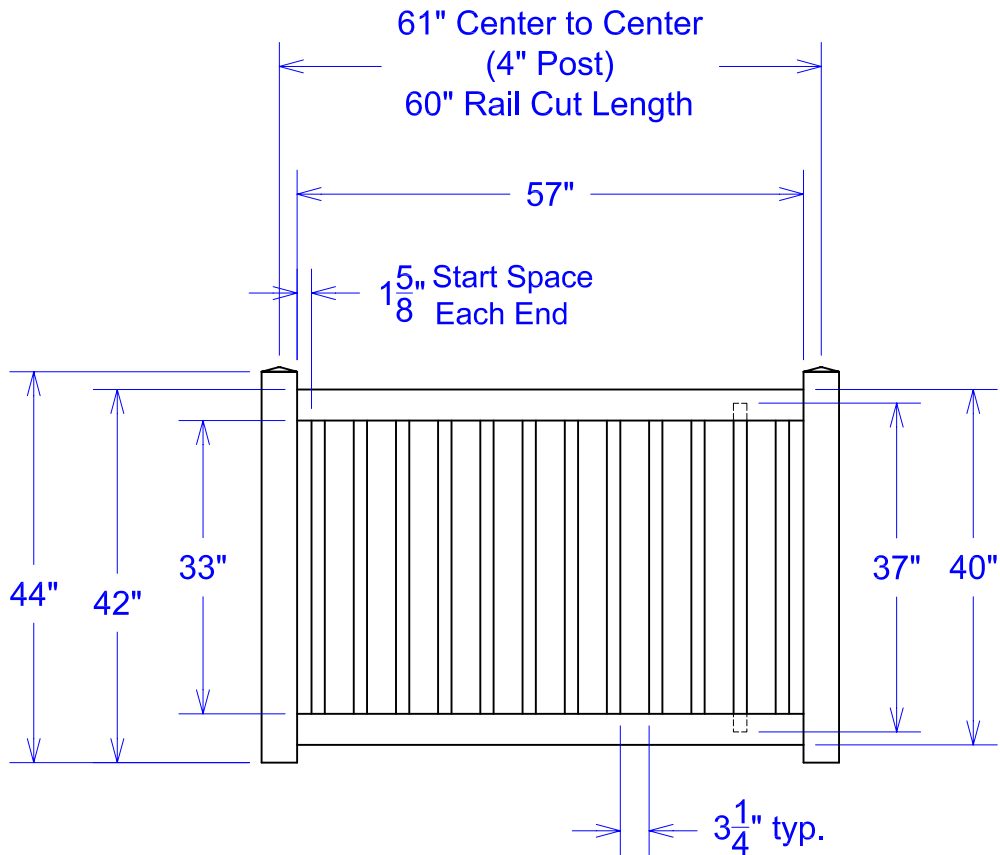
Top Rail
End View



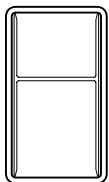
Top T-Rail
End View



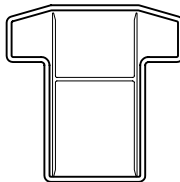
Bottom Rail
End View



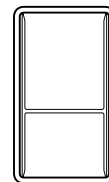
Material per 5' section.		
Qty	Item	Dimension
2	Rails	2" x 3-1/2" x 60"
2	"H" Channels	1-11/16" x 3-1/4" x 60"
12	Pickets	1-1/2" x 1-1/2" x 37"



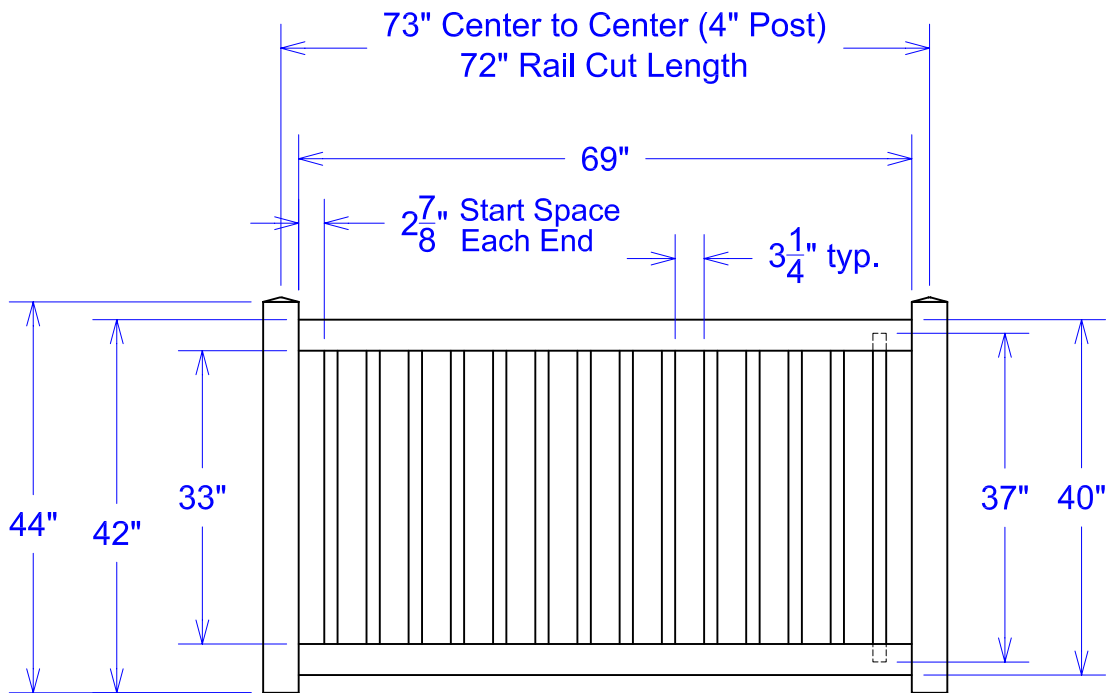
**Top Rail
End View**



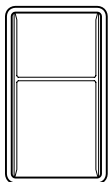
**Top T-Rail
End View**



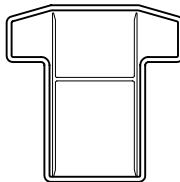
**Bottom Rail
End View**



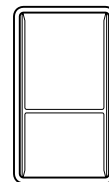
Material per 6' section.		
Qty	Item	Dimension
2	Rails	2" x 3-1/2" x 72"
2	"H" Channels	1-11/16" x 3-1/4" x 72"
14	Pickets	1-1/2" x 1-1/2" x 37"



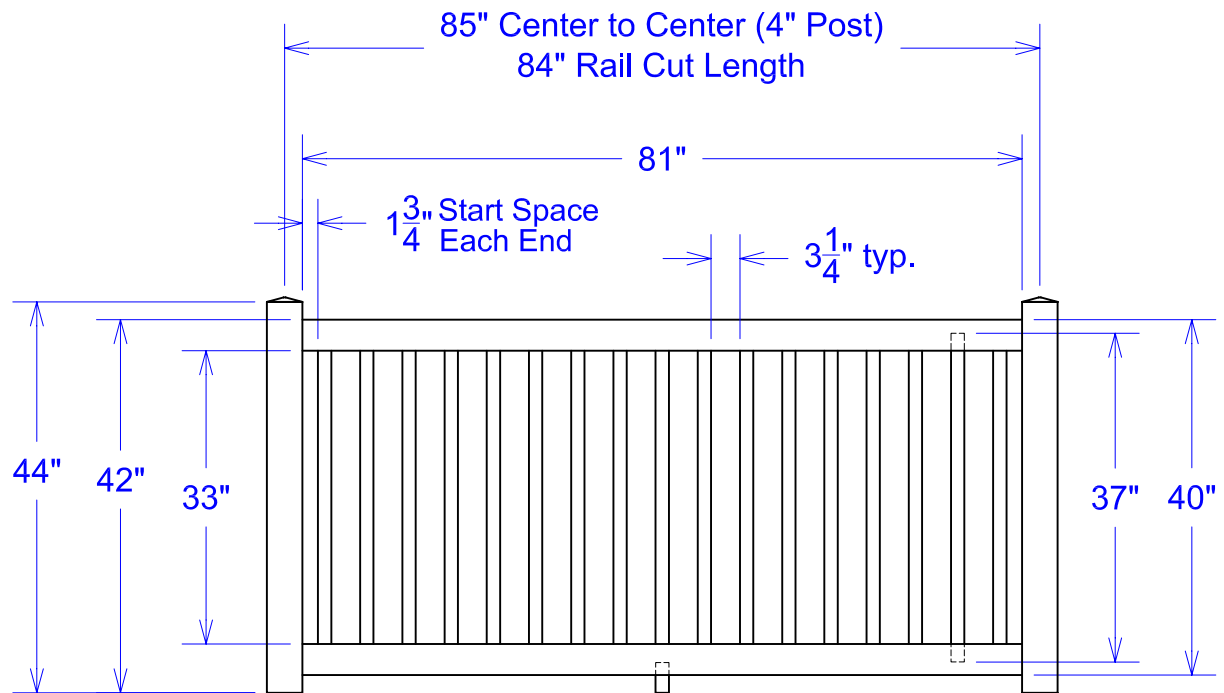
**Top Rail
End View**



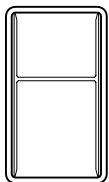
**Top T-Rail
End View**



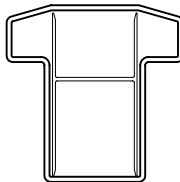
**Bottom Rail
End View**



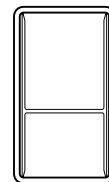
Material per 7' section.		
Qty	Item	Dimension
2	Rails	2" x 3-1/2" x 84"
2	"H" Channels	1-11/16" x 3-1/4" x 84"
1	Rail Support	1-1/2" x 1-1/2" x 3-3/8"
17	Pickets	1-1/2" x 1-1/2" x 37"



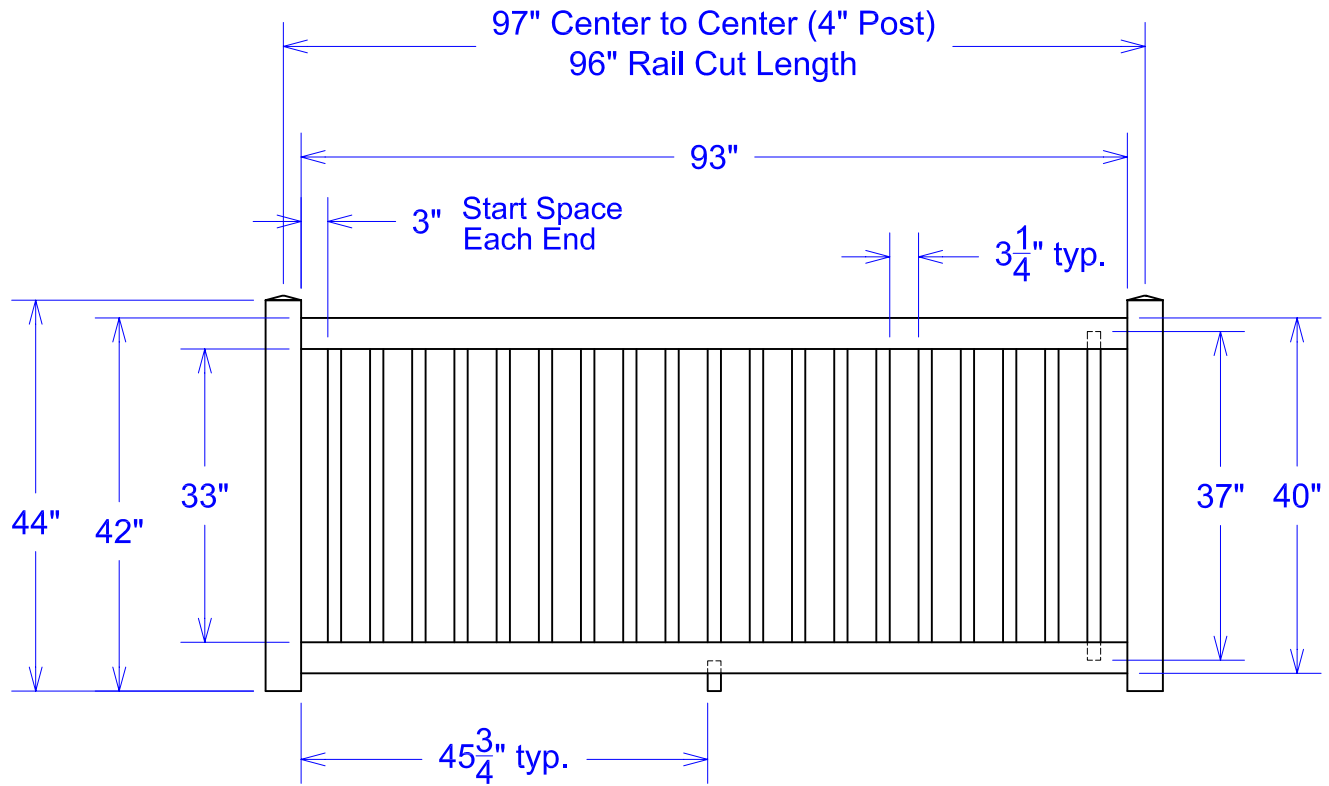
**Top Rail
End View**



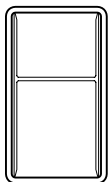
**Top T-Rail
End View**



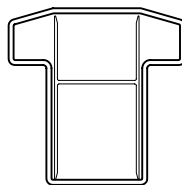
**Bottom Rail
End View**



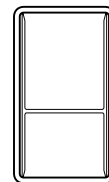
Material per 8' section.		
Qty	Item	Dimension
2	Rails	2" x 3-1/2" x 96"
2	"H" Channels	1-11/16" x 3-1/4" x 96"
1	Rail Support	1-1/2" x 1-1/2" x 3-3/8"
19	Pickets	1-1/2" x 1-1/2" x 37"



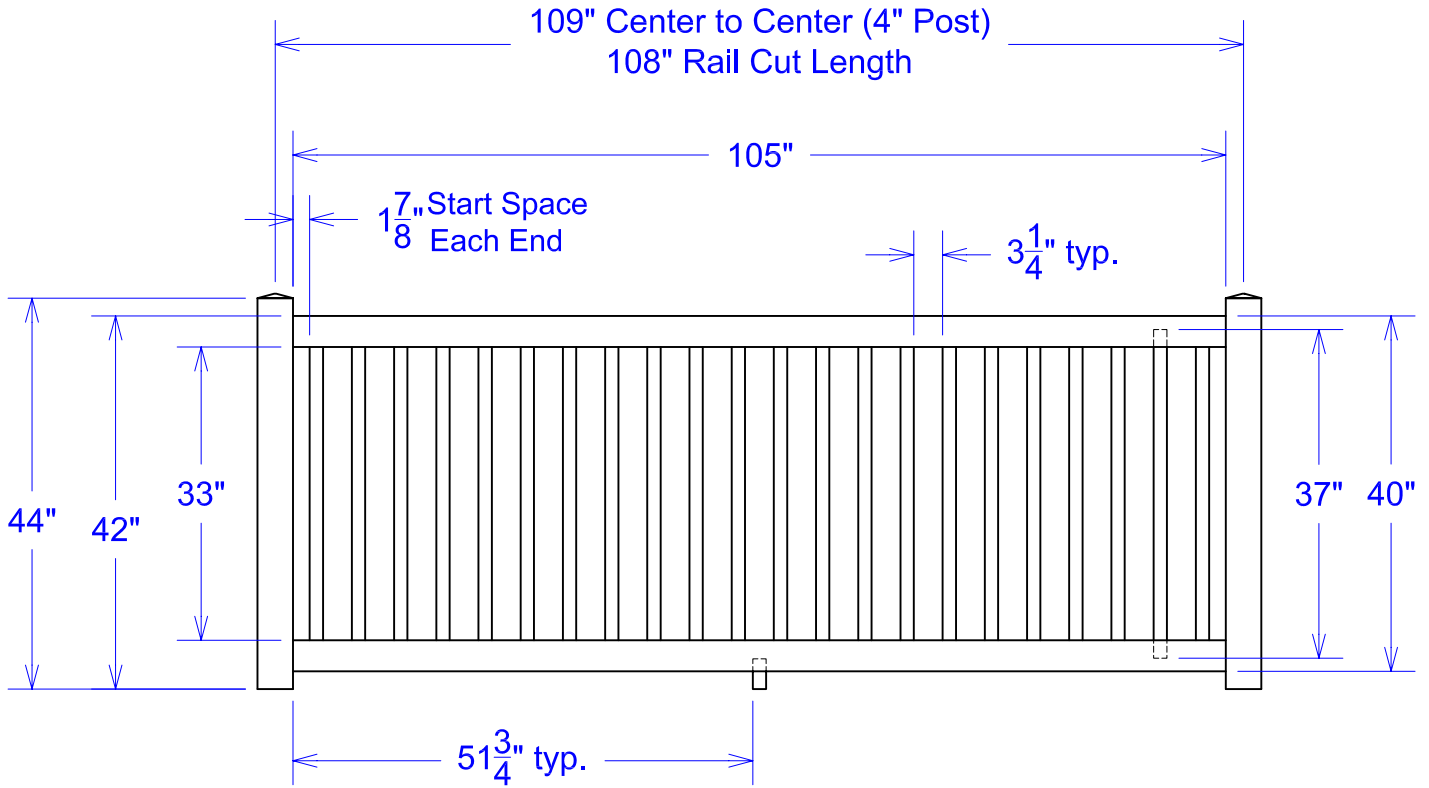
**Top Rail
End View**



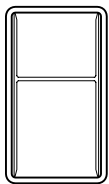
**Top T-Rail
End View**



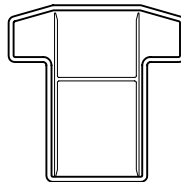
**Bottom Rail
End View**



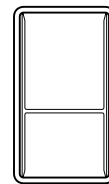
Material per 9' section.		
Qty	Item	Dimension
2	Rails	2" x 3-1/2" x 108"
2	"H" Channels	1-11/16" x 3-1/4" x 108"
1	Rail Support	1-1/2" x 1-1/2" x 3-3/8"
22	Pickets	1-1/2" x 1-1/2" x 37"



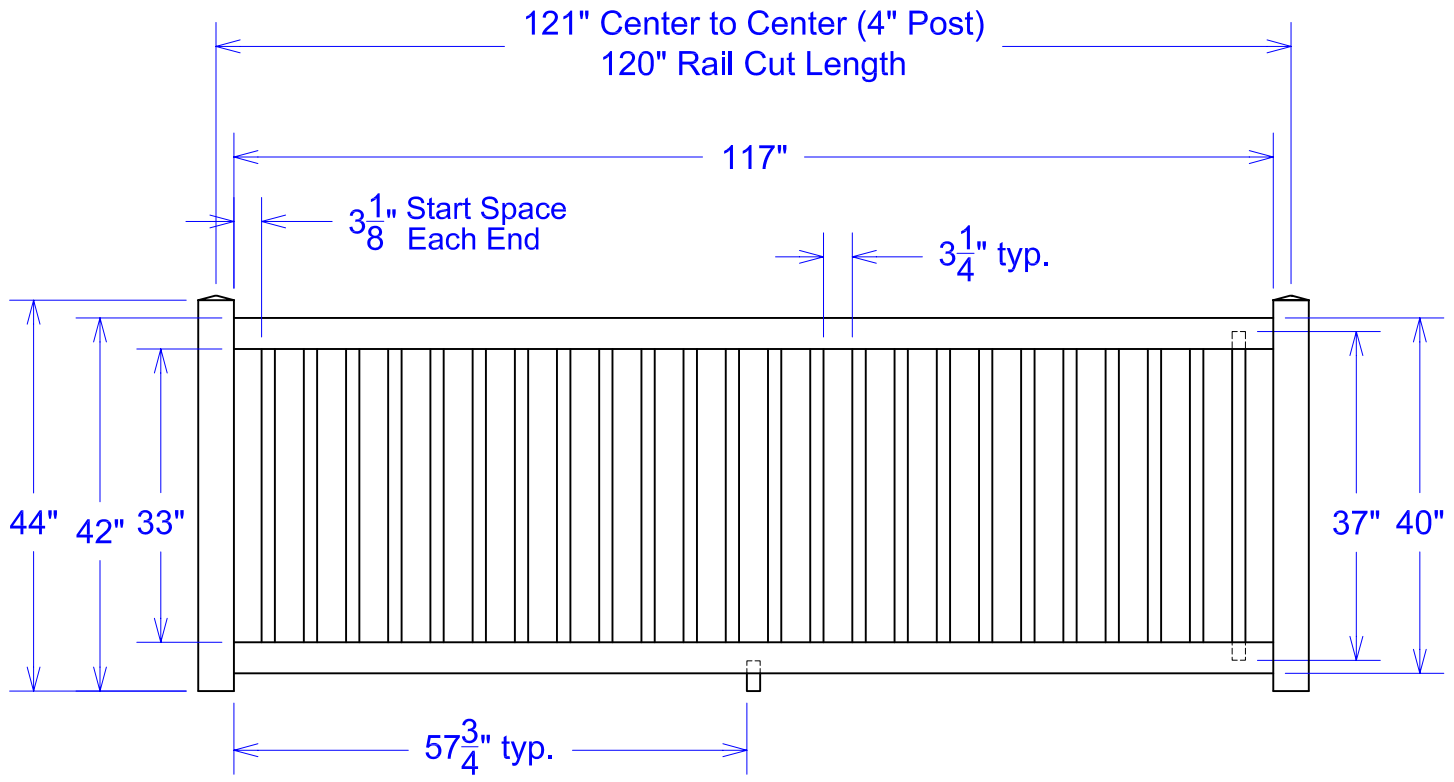
**Top Rail
End View**



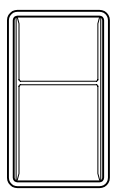
**Top T-Rail
End View**



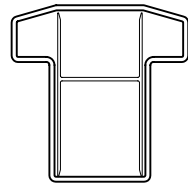
**Bottom Rail
End View**



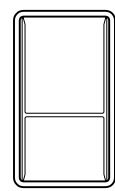
Material per 10' section.		
Qty	Item	Dimension
2	Rails	2" x 3-1/2" x 120"
2	"H" Channels	1-11/16" x 3-1/4" x 120"
1	Rail Support	1-1/2" x 1-1/2" x 3-3/8"
24	Pickets	1-1/2" x 1-1/2" x 37"



**Top Rail
End View**



**Top T-Rail
End View**



**Bottom Rail
End View**

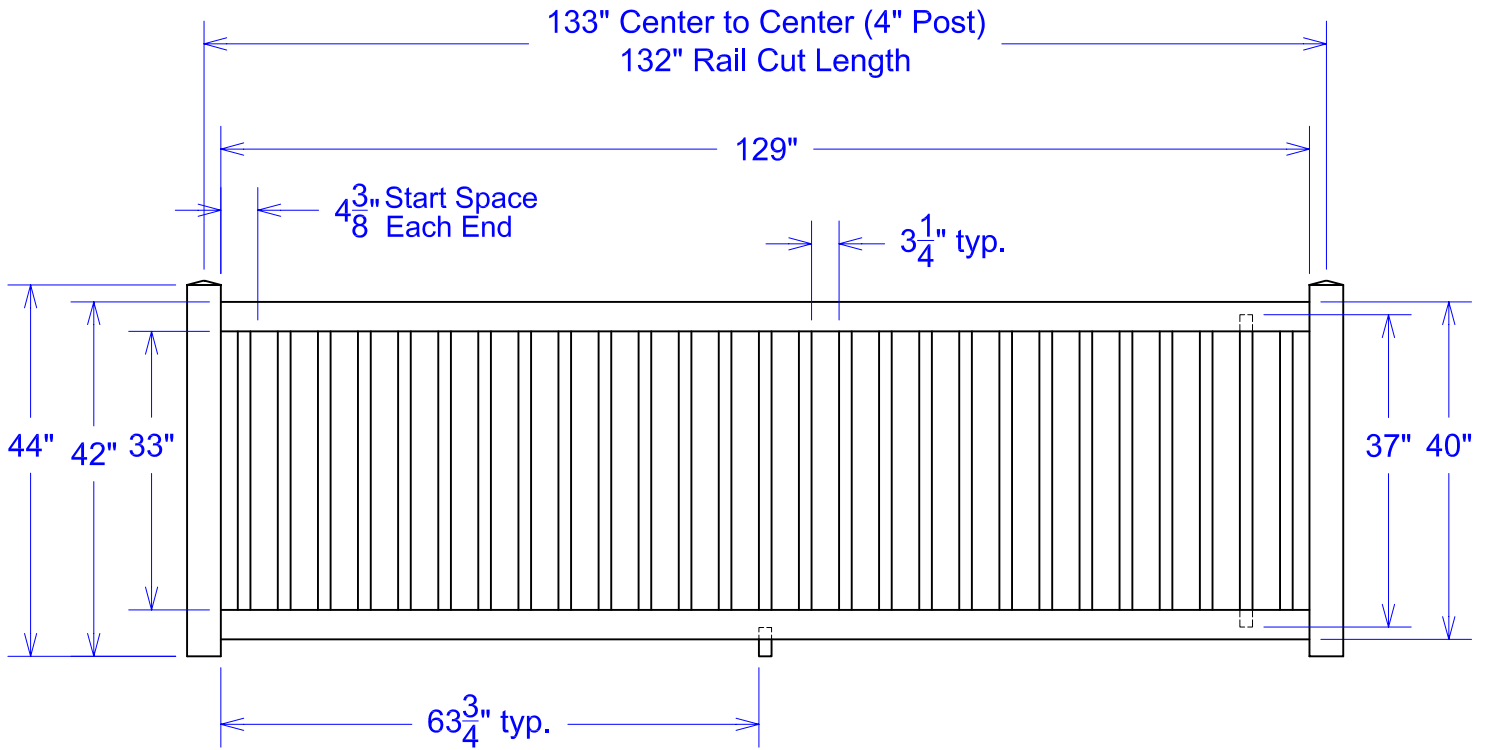


894 Prairie Avenue
 Wilmington, Ohio 45177
 Phone: (937) 383-2004 Fax: (937) 383-2022

Drawn By:
A.G. Bailey

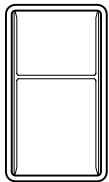
Traditional
 Commercial Railing
 3 1/2' x 10' Section

Scale:
 NTS
 Date:
 5/25/01

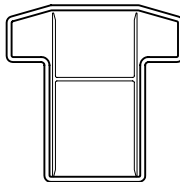


Material per 11' section.

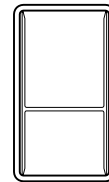
Qty	Item	Dimension
2	Rails	2" x 3-1/2" x 132"
2	"H" Channels	1-11/16" x 3-1/4" x 132"
1	Rail Support	1-1/2" x 1-1/2" x 3-3/8"
27	Pickets	1-1/2" x 1-1/2" x 37"



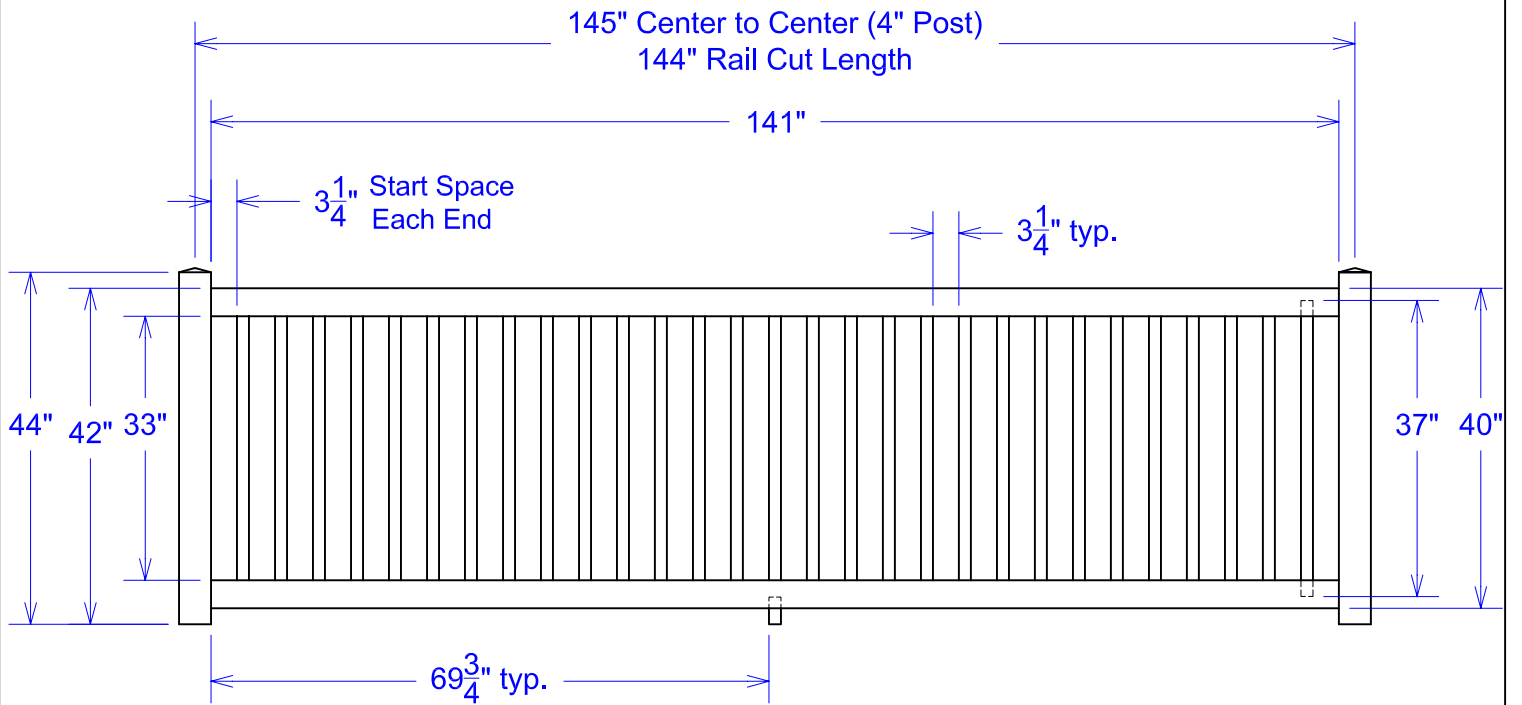
**Top Rail
End View**



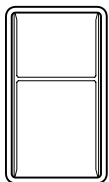
**Top T-Rail
End View**



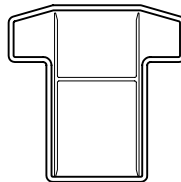
**Bottom Rail
End View**



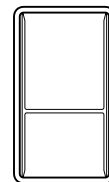
Material per 12' section.		
Qty	Item	Dimension
2	Rails	2" x 3-1/2" x 144"
2	"H" Channels	1-11/16" x 3-1/4" x 144"
1	Rail Support	1-1/2" x 1-1/2" x 3-3/8"
29	Pickets	1-1/2" x 1-1/2" x 37"



**Top Rail
End View**



**Top T-Rail
End View**



**Bottom Rail
End View**